

'Dimensions in Inches'

Belt Width	Assembly Part Number	2174-20° Troughing Idler Dimensions 4" dia. Rolls					Assembly Weight
		A	E	G	H	K	
18"	204-18-A0-0120	27	9-5/16	6-13/16	19-3/4	7	27 lbs.
20"	204-20-A0-0120	29	9-9/16	7-9/16	21-3/4	7	29 lbs.
24"	204-24-A0-0120	33	10-1/16	8-15/16	25-3/4	7	32 lbs.
30"	204-30-A0-0120	39	10-3/4	11	31-3/4	7	37 lbs.
36"	204-36-A0-0120	45	11-1/2	13-1/8	37-3/4	7	43 lbs.
42"	204-42-A0-0120	51	12-11/16	15-3/16	43-3/4	7-1/2	52 lbs.
48"	204-48-A0-0120	57	13-7/16	17-1/4	49-3/4	7-1/2	57 lbs.

Belt Width	Assembly Part Number	2175-20° Troughing Idler Dimensions 5" dia. Rolls					Assembly Weight
		A	E	G	H	K	
18"	205-18-A0-0120	27	9-13/16	6-13/16	19-7/16	7-1/2	30 lbs.
20"	205-20-A0-0120	29	10-1/16	7-9/16	21-7/16	7-1/2	32 lbs.
24"	205-24-A0-0120	33	10-1/2	8-15/16	25-7/16	7-1/2	36 lbs.
30"	205-30-A0-0120	39	11-1/4	11	31-7/16	7-1/2	41 lbs.
36"	205-36-A0-0120	45	11-15/16	13-1/8	37-7/16	7-1/2	48 lbs.
42"	205-42-A0-0120	51	13-3/16	15-3/16	43-7/16	8	58 lbs.
48"	205-48-A0-0120	57	13-7/8	17-1/4	49-7/16	8	64 lbs.

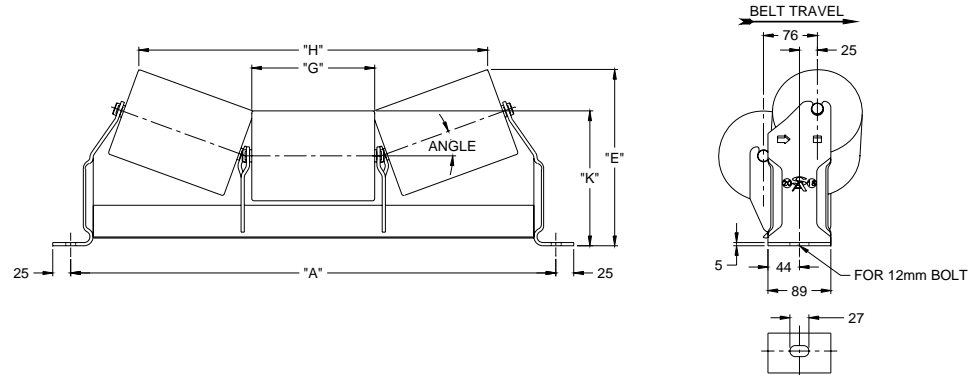
Belt Width	Assembly Part Number	2174-35° Troughing Idler Dimensions 4" dia. Rolls					Assembly Weight
		A	E	G	H	K	
18"	204-18-B0-0120	27	10-15/16	6-13/16	18-1/16	7	28 lbs.
20"	204-20-B0-0120	29	11-5/16	7-9/16	20	7	30 lbs.
24"	204-24-B0-0120	33	12-1/8	8-15/16	23-9/16	7	33 lbs.
30"	204-30-B0-0120	39	13-5/16	11	29-1/8	7	39 lbs.
36"	204-36-B0-0120	45	14-1/2	13-1/8	34-5/8	7	44 lbs.
42"	204-42-B0-0120	51	16-1/4	15-3/16	40-1/16	7-1/2	53 lbs.
48"	204-48-B0-0120	57	17-7/16	17-1/4	45-5/8	7-1/2	59 lbs.

Belt Width	Assembly Part Number	2175-35° Troughing Idler Dimensions 5" dia. Rolls					Assembly Weight
		A	E	G	H	K	
18"	205-18-B0-0120	27	11-5/16	6-13/16	17-1/2	7-1/2	31 lbs.
20"	205-20-B0-0120	29	11-3/4	7-9/16	19-7/16	7-1/2	34 lbs.
24"	205-24-B0-0120	33	12-9/16	8-15/16	23	7-1/2	37 lbs.
30"	205-30-B0-0120	39	13-3/4	11	28-1/2	7-1/2	43 lbs.
36"	205-36-B0-0120	45	14-15/16	13-1/8	34-1/16	7-1/2	49 lbs.
42"	205-42-B0-0120	51	16-5/8	15-3/16	39-1/2	8	59 lbs.
48"	205-48-B0-0120	57	17-13/16	17-1/4	45-1/16	8	66 lbs.

Belt Width	Assembly Part Number	2174-45° Troughing Idler Dimensions 4" dia. Rolls					Assembly Weight
		A	E	G	H	K	
18"	204-18-C0-0120	27	11-13/16	6-13/16	16-1/2	7	29 lbs.
20"	204-20-C0-0120	29	12-3/8	7-9/16	18-1/4	7	31 lbs.
24"	204-24-C0-0120	33	13-5/16	8-15/16	21-9/16	7	34 lbs.
30"	204-30-C0-0120	39	14-13/16	11	26-5/8	7	39 lbs.
36"	204-36-C0-0120	45	16-1/4	13-1/8	31-11/16	7	48 lbs.
42"	204-42-C0-0120	51	18-1/4	15-3/16	36-11/16	7-1/2	58 lbs.
48"	204-48-C0-0120	57	19-5/8	17-1/4	41-11/16	7-1/2	64 lbs.

Belt Width	Assembly Part Number	2175-45° Troughing Idler Dimensions 5" dia. Rolls					Assembly Weight
		A	E	G	H	K	
18"	205-18-C0-0120	27	12-3/16	6-13/16	15-13/16	7-1/2	32 lbs.
20"	205-20-C0-0120	29	12-11/16	7-9/16	17-1/2	7-1/2	34 lbs.
24"	205-24-C0-0120	33	13-11/16	8-15/16	20-7/8	7-1/2	38 lbs.
30"	205-30-C0-0120	39	15-1/8	11	25-15/16	7-1/2	44 lbs.
36"	205-36-C0-0120	45	16-5/8	13-1/8	31	7-1/2	53 lbs.
42"	205-42-C0-0120	51	18-9/16	15-3/16	35-15/16	8	64 lbs.
48"	205-48-C0-0120	57	20-1/16	17-1/4	41	8	70 lbs.





'Dimensions in Millimeters'

Belt Width	Assembly Part Number	2174-20° Troughing Idler Dimensions 102 mm dia. Rolls					Assembly Weight
		A	E	G	H	K	
457 mm	204-18-A0-0120	686	237	173	502	178	12 kg.
508 mm	204-20-A0-0120	737	243	192	552	178	13 kg.
610 mm	204-24-A0-0120	838	256	227	654	178	15 kg.
762 mm	204-30-A0-0120	991	273	279	806	178	17 kg.
914 mm	204-36-A0-0120	1143	292	333	959	178	20 kg.
1067 mm	204-42-A0-0120	1295	322	386	1111	191	24 kg.
1219 mm	204-48-A0-0120	1448	341	438	1264	191	26 kg.

Belt Width	Assembly Part Number	2174-35° Troughing Idler Dimensions 102 mm dia. Rolls					Assembly Weight
		A	E	G	H	K	
457 mm	204-18-B0-0120	686	278	173	459	178	13 kg.
508 mm	204-20-B0-0120	737	287	192	508	178	14 kg.
610 mm	204-24-B0-0120	838	308	227	598	178	15 kg.
762 mm	204-30-B0-0120	991	338	279	740	178	18 kg.
914 mm	204-36-B0-0120	1143	368	333	879	178	20 kg.
1067 mm	204-42-B0-0120	1295	413	386	1018	191	24 kg.
1219 mm	204-48-B0-0120	1448	443	438	1159	191	27 kg.

Belt Width	Assembly Part Number	2174-45° Troughing Idler Dimensions 102 mm dia. Rolls					Assembly Weight
		A	E	G	H	K	
457 mm	204-18-C0-0120	686	300	173	419	178	13 kg.
508 mm	204-20-C0-0120	737	314	192	464	178	14 kg.
610 mm	204-24-C0-0120	838	338	227	548	178	15 kg.
762 mm	204-30-C0-0120	991	376	279	676	178	18 kg.
914 mm	204-36-C0-0120	1143	413	333	805	178	22 kg.
1067 mm	204-42-C0-0120	1295	464	386	932	191	26 kg.
1219 mm	204-48-C0-0120	1448	498	438	1059	191	29 kg.

Belt Width	Assembly Part Number	2175-20° Troughing Idler Dimensions 127 mm dia. Rolls					Assembly Weight
		A	E	G	H	K	
457 mm	205-18-A0-0120	686	249	173	494	191	14 kg.
508 mm	205-20-A0-0120	737	256	192	545	191	15 kg.
610 mm	205-24-A0-0120	838	267	227	646	191	16 kg.
762 mm	205-30-A0-0120	991	286	279	799	191	19 kg.
914 mm	205-36-A0-0120	1143	303	333	951	191	22 kg.
1067 mm	205-42-A0-0120	1295	335	386	1103	203	26 kg.
1219 mm	205-48-A0-0120	1448	352	438	1256	203	29 kg.

Belt Width	Assembly Part Number	2175-35° Troughing Idler Dimensions 127 mm dia. Rolls					Assembly Weight
		A	E	G	H	K	
457 mm	205-18-B0-0120	686	287	173	445	191	14 kg.
508 mm	205-20-B0-0120	737	298	192	494	191	15 kg.
610 mm	205-24-B0-0120	838	319	227	584	191	17 kg.
762 mm	205-30-B0-0120	991	349	279	724	191	20 kg.
914 mm	205-36-B0-0120	1143	379	333	865	191	22 kg.
1067 mm	205-42-B0-0120	1295	422	386	1003	203	27 kg.
1219 mm	205-48-B0-0120	1448	452	438	1145	203	30 kg.

Belt Width	Assembly Part Number	2175-45° Troughing Idler Dimensions 127 mm dia. Rolls					Assembly Weight
		A	E	G	H	K	
457 mm	205-18-C0-0120	686	310	173	402	191	15 kg.
508 mm	205-20-C0-0120	737	322	192	445	191	15 kg.
610 mm	205-24-C0-0120	838	348	227	530	191	17 kg.
762 mm	205-30-C0-0120	991	384	279	659	191	20 kg.
914 mm	205-36-C0-0120	1143	422	333	787	191	24 kg.
1067 mm	205-42-C0-0120	1295	471	386	913	203	29 kg.
1219 mm	205-48-C0-0120	1448	510	438	1041	203	32 kg.



STEPHENS-ADAMSON CONVEYOR COMPONENTS

www.Stephens-Adamson.com

CANADA
Telephone: 1-800-510-3802
Fax: 1-613-967-8128

U.S.A.
Telephone: 1-800-638-6788
Fax: 1-800-866-1438

INTERNATIONAL
Telephone: 1-613-962-3411
Fax: 1-613-967-8128

DS-E-IDL-00-037