

"ALL DIMENSIONS IN INCHES"

BELT WIDTH	TYPICAL DIMENSIONS		R710-2174 (4"dia. Rubber Tires)		R710-2175 (5"dia. Rubber Tires)	
	"A"	"G"	ROLLER ASSEMBLY PART No.	ASSEMBLY WEIGHT (lbs.)	ROLLER ASSEMBLY PART No.	ASSEMBLY WEIGHT (lbs.)
18"	27	22-3/4	204-18-92-0120	21	205-18-92-0120	28
20"	29	24-3/4	204-20-92-0120	22	205-20-92-0120	29
24"	33	28-3/4	204-24-92-0120	24	205-24-92-0120	32
30"	39	34-3/4	204-30-92-0120	28	205-30-92-0120	36
36"	45	40-3/4	204-36-92-0120	32	205-36-92-0120	41
42"	51	46-3/4	204-42-92-0120	36	205-42-92-0120	46
48"	57	52-3/4	204-48-92-0120	39	205-48-92-0120	51

4-1/2" DROP
BRACKET PART No.
MD-IDL19-57-00

NOTE:

BRACKETS ARE PRICED AND SOLD SEPARATELY. TWO BRACKETS ARE REQUIRED PER ROLLER.

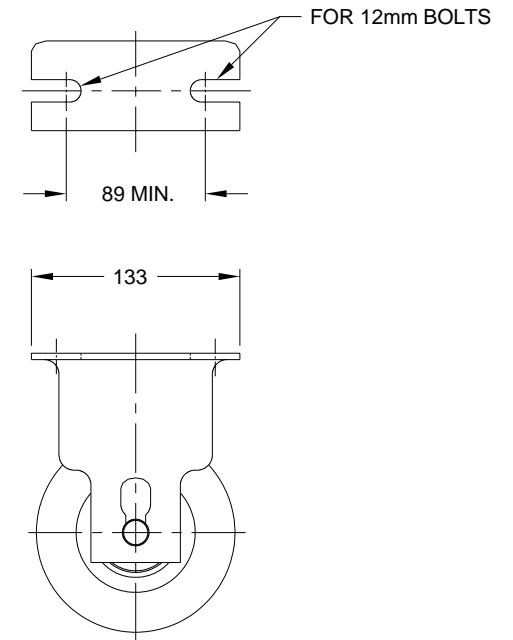
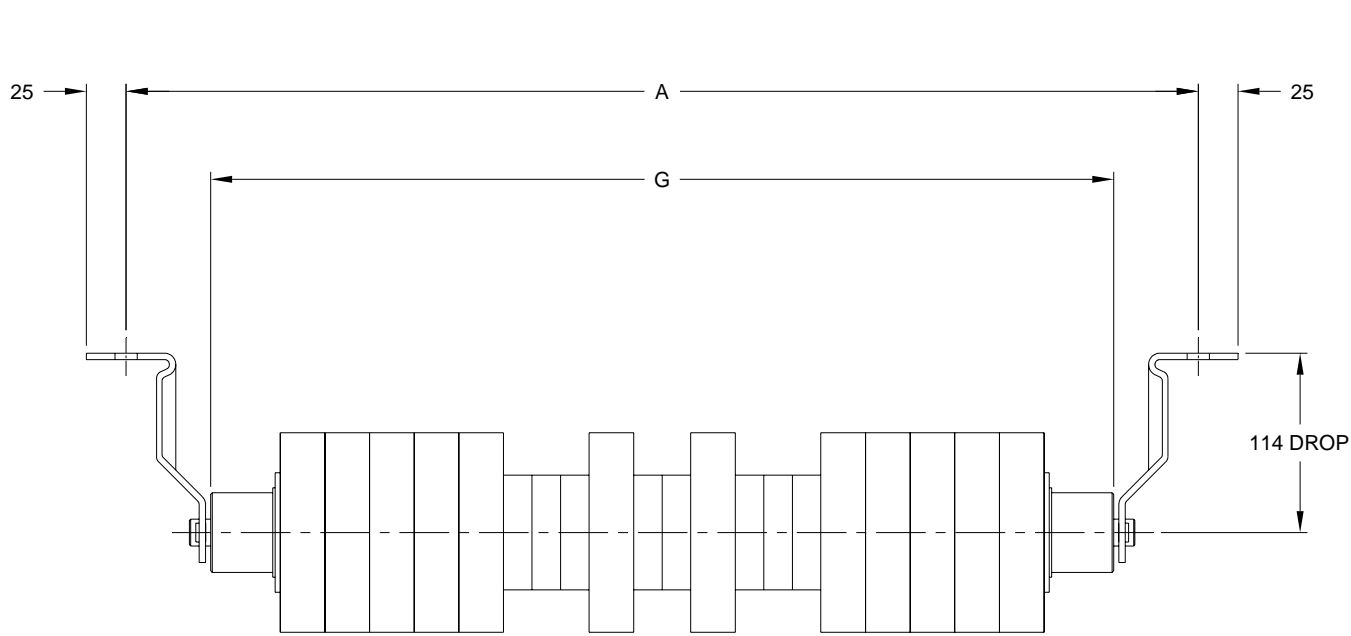


STEPHENS-ADAMSON CONVEYOR COMPONENTS
www.Stephens-Adams.com

CANADA
Telephone: 1-800-510-3802
Fax: 1-613-967-8128

U.S.A.
Telephone: 1-800-638-6788
Fax: 1-800-866-1438

INTERNATIONAL
Telephone: 1-613-962-3411
Fax: 1-613-967-8128



"ALL DIMENSIONS IN MILLIMETERS"

BELT WIDTH	TYPICAL DIMENSIONS		R710-2174 (102dia. Rubber Tires)		R710-2175 (127dia. Rubber Tires)	
	"A"	"G"	ROLLER ASSEMBLY PART No.	ASSEMBLY WEIGHT (Kg.)	ROLLER ASSEMBLY PART No.	ASSEMBLY WEIGHT (Kg.)
457	686	578	204-18-92-0120	9	205-18-92-0120	13
508	737	629	204-20-92-0120	10	205-20-92-0120	13
610	838	730	204-24-92-0120	11	205-24-92-0120	15
762	991	883	204-30-92-0120	13	205-30-92-0120	16
914	1143	1035	204-36-92-0120	14	205-36-92-0120	19
1067	1295	1187	204-42-92-0120	16	205-42-92-0120	21
1219	1448	1340	204-48-92-0120	18	205-48-92-0120	23

114 DROP BRACKET PART No.
MD-IDL19-57-00

NOTE:

BRACKETS ARE PRICED AND SOLD SEPARATELY. TWO BRACKETS ARE REQUIRED PER ROLLER.



STEPHENS-ADAMSON CONVEYOR COMPONENTS
www.Stephens-Adamson.com

CANADA
Telephone: 1-800-510-3802
Fax: 1-613-967-8128

U.S.A.
Telephone: 1-800-638-6788
Fax: 1-800-866-1438

INTERNATIONAL
Telephone: 1-613-962-3411
Fax: 1-613-967-8128