

'Dimensions in Inches'

Belt Width	Assembly Part Number	2174-20°-ST-PA Troughing Idler Dimensions 4" dia. Rolls					Assembly Weight
		A	E	G	K	L	
18"	204-18-AT-0120	27	12-5/16	6-13/16	7-1/8	23	88 lbs.
20"	204-20-AT-0120	29	12-9/16	7-9/16	7-1/8	25	92 lbs.
24"	204-24-AT-0120	33	13-1/16	8-15/16	7-1/8	29	98 lbs.
30"	204-30-AT-0120	39	13-3/4	11	7-1/8	35	107 lbs.
36"	204-36-AT-0120	45	14-1/2	13-1/8	7-1/8	41	117 lbs.
42"	204-42-AT-0120	51	15-11/16	15-3/16	7-5/8	47	146 lbs.
48"	204-48-AT-0120	57	16-3/8	17-1/4	7-5/8	53	157 lbs.

Belt Width	Assembly Part Number	2174-35°-ST-PA Troughing Idler Dimensions 4" dia. Rolls					Assembly Weight
		A	E	G	K	L	
18"	204-18-BT-0120	27	14-1/4	6-13/16	7-1/8	19-3/4	91 lbs.
20"	204-20-BT-0120	29	14-5/8	7-9/16	7-1/8	21	95 lbs.
24"	204-24-BT-0120	33	15-7/16	8-15/16	7-1/8	25-1/4	101 lbs.
30"	204-30-BT-0120	39	16-5/8	11	7-1/8	30-13/16	111 lbs.
36"	204-36-BT-0120	45	17-13/16	13-1/8	7-1/8	36-3/8	122 lbs.
42"	204-42-BT-0120	51	19-1/2	15-3/16	7-5/8	41-3/4	148 lbs.
48"	204-48-BT-0120	57	20-11/16	17-1/4	7-5/8	47-5/16	158 lbs.

Belt Width	Assembly Part Number	2174-45°-ST-PA Troughing Idler Dimensions 4" dia. Rolls					Assembly Weight
		A	E	G	K	L	
18"	204-18-CT-0120	27	15-1/4	6-13/16	7-1/8	17-1/16	92 lbs.
20"	204-20-CT-0120	29	15-3/4	7-9/16	7-1/8	18-3/4	96 lbs.
24"	204-24-CT-0120	33	16-3/4	8-15/16	7-1/8	22-1/8	102 lbs.
30"	204-30-CT-0120	39	18-3/16	11	7-1/8	27-3/16	112 lbs.
36"	204-36-CT-0120	45	19-11/16	13-1/8	7-1/8	32-1/4	123 lbs.
42"	204-42-CT-0120	51	21-5/8	15-3/16	7-5/8	37-3/16	149 lbs.
48"	204-48-CT-0120	57	23-1/8	17-1/4	7-5/8	42-1/4	159 lbs.

Belt Width	Assembly Part Number	2175-20°-ST-PA Troughing Idler Dimensions 5" dia. Rolls					Assembly Weight
		A	E	G	K	L	
18"	205-18-AT-0120	27	12-5/16	6-13/16	7-5/8	23	91 lbs.
20"	205-20-AT-0120	29	12-9/16	7-9/16	7-5/8	25	95 lbs.
24"	205-24-AT-0120	33	13-1/16	8-15/16	7-5/8	29	102 lbs.
30"	205-30-AT-0120	39	13-3/4	11	7-5/8	35	112 lbs.
36"	205-36-AT-0120	45	14-1/2	13-1/8	7-5/8	41	122 lbs.
42"	205-42-AT-0120	51	15-11/16	15-3/16	8-1/8	47	152 lbs.
48"	205-48-AT-0120	57	16-3/8	17-1/4	8-1/8	53	164 lbs.

Belt Width	Assembly Part Number	2175-35°-ST-PA Troughing Idler Dimensions 5" dia. Rolls					Assembly Weight
		A	E	G	K	L	
18"	205-18-BT-0120	27	14-1/4	6-13/16	7-5/8	19-3/4	95 lbs.
20"	205-20-BT-0120	29	14-5/8	7-9/16	7-5/8	21-11/16	98 lbs.
24"	205-24-BT-0120	33	15-7/16	8-15/16	7-5/8	25-1/4	105 lbs.
30"	205-30-BT-0120	39	16-5/8	11	7-5/8	30-13/16	116 lbs.
36"	205-36-BT-0120	45	17-13/16	13-1/8	7-5/8	36-3/8	127 lbs.
42"	205-42-BT-0120	51	19-1/2	15-3/16	8-1/8	41-3/4	154 lbs.
48"	205-48-BT-0120	57	20-11/16	17-1/4	8-1/8	47-5/16	165 lbs.

Belt Width	Assembly Part Number	2175-45°-ST-PA Troughing Idler Dimensions 5" dia. Rolls					Assembly Weight
		A	E	G	K	L	
18"	205-18-CT-0120	27	15-1/4	6-13/16	7-5/8	17-1/16	96 lbs.
20"	205-20-CT-0120	29	15-3/4	7-9/16	7-5/8	18-3/4	99 lbs.
24"	205-24-CT-0120	33	16-3/4	8-15/16	7-5/8	22-1/8	106 lbs.
30"	205-30-CT-0120	39	18-3/16	11	7-5/8	27-3/16	117 lbs.
36"	205-36-CT-0120	45	19-11/16	13-1/8	7-5/8	32-1/4	128 lbs.
42"	205-42-CT-0120	51	21-5/8	15-3/16	8-1/8	37-3/16	155 lbs.
48"	205-48-CT-0120	57	23-1/8	17-1/4	8-1/8	42-1/4	166 lbs.



STEPHENS-ADAMSON CONVEYOR COMPONENTS

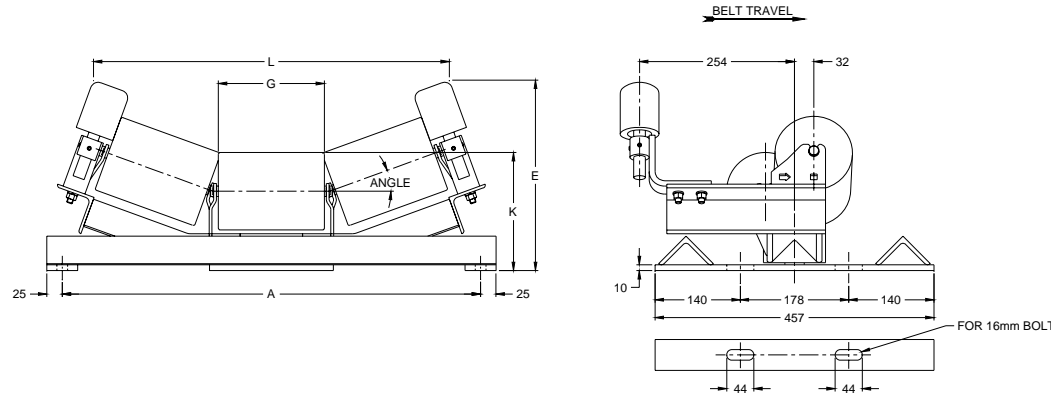
www.Stephens-Adamson.com

CANADA
Telephone: 1-800-510-3802
Fax: 1-613-967-8128

U.S.A.
Telephone: 1-800-638-6788
Fax: 1-800-866-1438

INTERNATIONAL
Telephone: 1-613-962-3411
Fax: 1-613-967-8128

DS-E-IDL-00-043



'Dimensions in Millimeters'

Belt Width	Assembly Part Number	2174-20°-ST-PA Troughing Idler Dimensions 102 mm dia. Rolls					Assembly Weight
		A	E	G	K	L	
457 mm	204-18-AT-0120	686	313	173	181	584	40 kg.
508 mm	204-20-AT-0120	737	319	192	181	635	42 kg.
610 mm	204-24-AT-0120	838	332	227	181	737	44 kg.
762 mm	204-30-AT-0120	991	349	279	181	889	49 kg.
914 mm	204-36-AT-0120	1143	368	333	181	1041	53 kg.
1067 mm	204-42-AT-0120	1295	398	386	194	1194	66 kg.
1219 mm	204-48-AT-0120	1448	416	438	194	1346	71 kg.

Belt Width	Assembly Part Number	2174-35°-ST-PA Troughing Idler Dimensions 102 mm dia. Rolls					Assembly Weight
		A	E	G	K	L	
457 mm	204-18-BT-0120	686	362	173	181	502	41 kg.
508 mm	204-20-BT-0120	737	371	192	181	551	43 kg.
610 mm	204-24-BT-0120	838	392	227	181	641	46 kg.
762 mm	204-30-BT-0120	991	422	279	181	783	50 kg.
914 mm	204-36-BT-0120	1143	452	333	181	924	55 kg.
1067 mm	204-42-BT-0120	1295	495	386	194	1060	67 kg.
1219 mm	204-48-BT-0120	1448	525	438	194	1202	72 kg.

Belt Width	Assembly Part Number	2174-45°-ST-PA Troughing Idler Dimensions 102 mm Rolls					Assembly Weight
		A	E	G	K	L	
457 mm	204-18-CT-0120	686	387	173	181	433	42 kg.
508 mm	204-20-CT-0120	737	400	192	181	476	44 kg.
610 mm	204-24-CT-0120	838	425	227	181	562	46 kg.
762 mm	204-30-CT-0120	991	462	279	181	691	51 kg.
914 mm	204-36-CT-0120	1143	500	333	181	819	56 kg.
1067 mm	204-42-CT-0120	1295	549	386	194	945	68 kg.
1219 mm	204-48-CT-0120	1448	587	438	194	1073	72 kg.

Belt Width	Assembly Part Number	2175-20°-ST-PA Troughing Idler Dimensions 127 mm dia. Rolls					Assembly Weight
		A	E	G	K	L	
457 mm	205-18-AT-0120	686	313	173	194	584	41 kg.
508 mm	205-20-AT-0120	737	319	192	194	635	43 kg.
610 mm	205-24-AT-0120	838	332	227	194	737	46 kg.
762 mm	205-30-AT-0120	991	349	279	194	889	51 kg.
914 mm	205-36-AT-0120	1143	368	333	194	1041	55 kg.
1067 mm	205-42-AT-0120	1295	398	386	206	1194	69 kg.
1219 mm	205-48-AT-0120	1448	416	438	206	1346	74 kg.

Belt Width	Assembly Part Number	2175-35°-ST-PA Troughing Idler Dimensions 127" dia. Rolls					Assembly Weight
		A	E	G	K	L	
457 mm	205-18-BT-0120	686	362	173	194	502	43 kg.
508 mm	205-20-BT-0120	737	371	192	194	551	44 kg.
610 mm	205-24-BT-0120	838	392	227	194	641	48 kg.
762 mm	205-30-BT-0120	991	422	279	194	783	53 kg.
914 mm	205-36-BT-0120	1143	452	333	194	924	58 kg.
1067 mm	205-42-BT-0120	1295	495	386	206	1060	70 kg.
1219 mm	205-48-BT-0120	1448	525	438	206	1202	75 kg.

Belt Width	Assembly Part Number	2175-45°-ST-PA Troughing Idler Dimensions 127 mm dia. Rolls					Assembly Weight
		A	E	G	K	L	
457 mm	205-18-CT-0120	686	387	173	194	433	44 kg.
508 mm	205-20-CT-0120	737	400	192	194	476	45 kg.
610 mm	205-24-CT-0120	838	425	227	194	562	48 kg.
762 mm	205-30-CT-0120	991	462	279	194	691	53 kg.
914 mm	205-36-CT-0120	1143	500	333	194	819	58 kg.
1067 mm	205-42-CT-0120	1295	549	386	206	945	70 kg.
1219 mm	205-48-CT-0120	1448	587	438	206	1073	75 kg.



STEPHENS-ADAMSON CONVEYOR COMPONENTS

www.Stephens-Adamson.com

CANADA
Telephone: 1-800-510-3802
Fax: 1-613-967-8128

U.S.A.
Telephone: 1-800-638-6788
Fax: 1-800-866-1438

INTERNATIONAL
Telephone: 1-613-962-3411
Fax: 1-613-967-8128

DS-E-IDL-00-043