

'Dimensions in Inches'

| Belt Width | Assembly Part Number | 2174-20° Troughing Idler Dimensions 4" dia. Rolls |          |         |        |       | Assembly Weight |
|------------|----------------------|---|----------|---------|--------|-------|-----------------|
|            |                      | A   | E        | G       | H      | K     |                 |
| 18"        | 204-18-A0-0200       | 27  | 9-5/16   | 6-13/16 | 19-3/4 | 7     | 27 lbs.         |
| 20"        | 204-20-A0-0200       | 29  | 9-9/16   | 7-9/16  | 21-3/4 | 7     | 29 lbs.         |
| 24"        | 204-24-A0-0200       | 33  | 10-1/16  | 8-15/16 | 25-3/4 | 7     | 32 lbs.         |
| 30"        | 204-30-A0-0200       | 39  | 10-3/4   | 11      | 31-3/4 | 7     | 37 lbs.         |
| 36"        | 204-36-A0-0200       | 45  | 11-1/2   | 13-1/8  | 37-3/4 | 7     | 43 lbs.         |
| 42"        | 204-42-A0-0200       | 51  | 12-11/16 | 15-3/16 | 43-3/4 | 7-1/2 | 52 lbs.         |
| 48"        | 204-48-A0-0200       | 57  | 13-7/16  | 17-1/4  | 49-3/4 | 7-1/2 | 57 lbs.         |

| Belt Width | Assembly Part Number | 2174-35°-Troughing Idler Dimensions 4" dia. Rolls |          |         |         |       | Assembly Weight |
|------------|----------------------|---|----------|---------|---------|-------|-----------------|
|            |                      | A   | E        | G       | H       | K     |                 |
| 18"        | 204-18-B0-0200       | 27  | 10-15/16 | 6-13/16 | 18-1/16 | 7     | 28 lbs.         |
| 20"        | 204-20-B0-0200       | 29  | 11-5/16  | 7-9/16  | 20      | 7     | 30 lbs.         |
| 24"        | 204-24-B0-0200       | 33  | 12-1/8   | 8-15/16 | 23-9/16 | 7     | 33 lbs.         |
| 30"        | 204-30-B0-0200       | 39  | 13-5/16  | 11      | 29-1/8  | 7     | 39 lbs.         |
| 36"        | 204-36-B0-0200       | 45  | 14-1/2   | 13-1/8  | 34-5/8  | 7     | 44 lbs.         |
| 42"        | 204-42-B0-0200       | 51  | 16-1/4   | 15-3/16 | 40-1/16 | 7-1/2 | 53 lbs.         |
| 48"        | 204-48-B0-0200       | 57  | 17-7/16  | 17-1/4  | 45-5/8  | 7-1/2 | 59 lbs.         |

| Belt Width | Assembly Part Number | 2174-45°-Troughing Idler Dimensions 4" dia. Rolls |          |         |          |       | Assembly Weight |
|------------|----------------------|---|----------|---------|----------|-------|-----------------|
|            |                      | A   | E        | G       | H        | K     |                 |
| 18"        | 204-18-C0-0200       | 27  | 11-13/16 | 6-13/16 | 16-1/2   | 7     | 29 lbs.         |
| 20"        | 204-20-C0-0200       | 29  | 12-3/8   | 7-9/16  | 18-1/4   | 7     | 31 lbs.         |
| 24"        | 204-24-C0-0200       | 33  | 13-5/16  | 8-15/16 | 21-9/16  | 7     | 34 lbs.         |
| 30"        | 204-30-C0-0200       | 39  | 14-13/16 | 11      | 26-5/8   | 7     | 39 lbs.         |
| 36"        | 204-36-C0-0200       | 45  | 16-1/4   | 13-1/8  | 31-11/16 | 7     | 48 lbs.         |
| 42"        | 204-42-C0-0200       | 51  | 18-1/4   | 15-3/16 | 36-11/16 | 7-1/2 | 58 lbs.         |
| 48"        | 204-48-C0-0200       | 57  | 19-5/8   | 17-1/4  | 41-11/16 | 7-1/2 | 64 lbs.         |

| Belt Width | Assembly Part Number | 2175-20° Troughing Idler Dimensions 5" dia. Rolls |          |         |         |       | Assembly Weight |
|------------|----------------------|---|----------|---------|---------|-------|-----------------|
|            |                      | A   | E        | G       | H       | K     |                 |
| 18"        | 205-18-A0-0200       | 27  | 9-13/16  | 6-13/16 | 19-7/16 | 7-1/2 | 30 lbs.         |
| 20"        | 205-20-A0-0200       | 29  | 10-1/16  | 7-9/16  | 21-7/16 | 7-1/2 | 32 lbs.         |
| 24"        | 205-24-A0-0200       | 33  | 10-1/2   | 8-15/16 | 25-7/16 | 7-1/2 | 36 lbs.         |
| 30"        | 205-30-A0-0200       | 39  | 11-1/4   | 11      | 31-7/16 | 7-1/2 | 41 lbs.         |
| 36"        | 205-36-A0-0200       | 45  | 11-15/16 | 13-1/8  | 37-7/16 | 7-1/2 | 48 lbs.         |
| 42"        | 205-42-A0-0200       | 51  | 13-3/16  | 15-3/16 | 43-7/16 | 8     | 58 lbs.         |
| 48"        | 205-48-A0-0200       | 57  | 13-7/8   | 17-1/4  | 49-7/16 | 8     | 64 lbs.         |

| Belt Width | Assembly Part Number | 2175-35°-Troughing Idler Dimensions 5" dia. Rolls |          |         |         |       | Assembly Weight |
|------------|----------------------|---|----------|---------|---------|-------|-----------------|
|            |                      | A   | E        | G       | H       | K     |                 |
| 18"        | 205-18-B0-0200       | 27  | 11-5/16  | 6-13/16 | 17-1/2  | 7-1/2 | 31 lbs.         |
| 20"        | 205-20-B0-0200       | 29  | 11-3/4   | 7-9/16  | 19-7/16 | 7-1/2 | 34 lbs.         |
| 24"        | 205-24-B0-0200       | 33  | 12-9/16  | 8-15/16 | 23      | 7-1/2 | 37 lbs.         |
| 30"        | 205-30-B0-0200       | 39  | 13-3/4   | 11      | 28-1/2  | 7-1/2 | 43 lbs.         |
| 36"        | 205-36-B0-0200       | 45  | 14-15/16 | 13-1/8  | 34-1/16 | 7-1/2 | 49 lbs.         |
| 42"        | 205-42-B0-0200       | 51  | 16-5/8   | 15-3/16 | 39-1/2  | 8     | 59 lbs.         |
| 48"        | 205-48-B0-0200       | 57  | 17-13/16 | 17-1/4  | 45-1/16 | 8     | 66 lbs.         |

| Belt Width | Assembly Part Number | 2175-45°-Troughing Idler Dimensions 5" dia. Rolls |          |         |          |       | Assembly Weight |
|------------|----------------------|---|----------|---------|----------|-------|-----------------|
|            |                      | A   | E        | G       | H        | K     |                 |
| 18"        | 205-18-C0-0200       | 27  | 12-3/16  | 6-13/16 | 15-13/16 | 7-1/2 | 32 lbs.         |
| 20"        | 205-20-C0-0200       | 29  | 12-11/16 | 7-9/16  | 17-7/8   | 7-1/2 | 34 lbs.         |
| 24"        | 205-24-C0-0200       | 33  | 13-11/16 | 8-15/16 | 20-1/2   | 7-1/2 | 38 lbs.         |
| 30"        | 205-30-C0-0200       | 39  | 15-1/8   | 11      | 25-15/16 | 7-1/2 | 44 lbs.         |
| 36"        | 205-36-C0-0200       | 45  | 16-5/8   | 13-1/8  | 31       | 7-1/2 | 53 lbs.         |
| 42"        | 205-42-C0-0200       | 51  | 18-9/16  | 15-3/16 | 35-15/16 | 8     | 64 lbs.         |
| 48"        | 205-48-C0-0200       | 57  | 20-1/16  | 17-1/4  | 41       | 8     | 70 lbs.         |



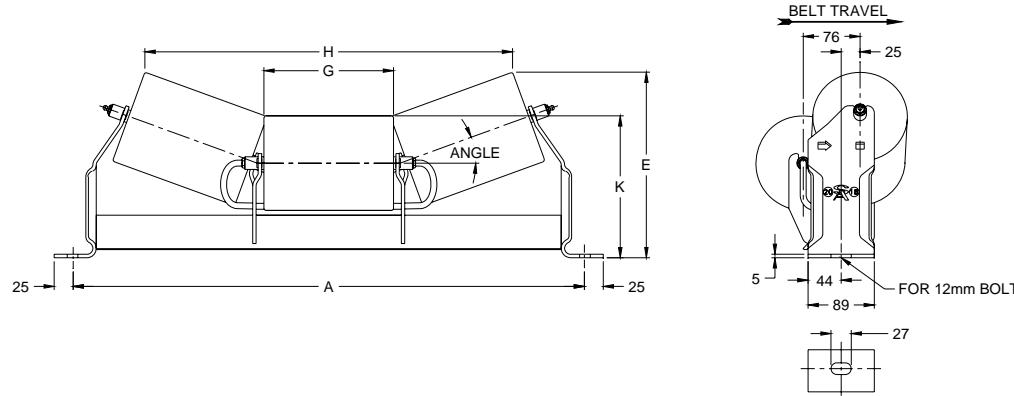
**STEPHENS-ADAMSON CONVEYOR COMPONENTS**  
www.Stephens-Adamson.com

CANADA  
Telephone: 1-800-510-3802  
Fax: 1-613-967-8128

U.S.A.  
Telephone: 1-800-638-6788  
Fax: 1-800-866-1438

INTERNATIONAL  
Telephone: 1-613-962-3411  
Fax: 1-613-967-8128

DS-E-IDL-00-047 A



'Dimensions in Millimeters'

| Belt Width | Assembly Part Number | 2174-20° Troughing Idler Dimensions<br>102 mm dia. Rolls |     |     |      |     | Assembly Weight |
|------------|----------------------|--|-----|-----|------|-----|-----------------|
|            |                      | A  | E   | G   | H    | K   |                 |
| 457 mm     | 204-18-A0-0200       | 686  | 237 | 173 | 502  | 178 | 12 kg.          |
| 508 mm     | 204-20-A0-0200       | 737  | 243 | 192 | 552  | 178 | 13 kg.          |
| 610 mm     | 204-24-A0-0200       | 838  | 256 | 227 | 654  | 178 | 15 kg.          |
| 762 mm     | 204-30-A0-0200       | 991  | 273 | 279 | 806  | 178 | 17 kg.          |
| 914 mm     | 204-36-A0-0200       | 1143   | 292 | 333 | 959  | 178 | 20 kg.          |
| 1067 mm    | 204-42-A0-0200       | 1295   | 322 | 386 | 1111 | 191 | 24 kg.          |
| 1219 mm    | 204-48-A0-0200       | 1448   | 341 | 438 | 1264 | 191 | 26 kg.          |

| Belt Width | Assembly Part Number | 2175-20° Troughing Idler Dimensions<br>127 mm dia. Rolls |     |     |      |     | Assembly Weight |
|------------|----------------------|--|-----|-----|------|-----|-----------------|
|            |                      | A  | E   | G   | H    | K   |                 |
| 457 mm     | 205-18-A0-0200       | 686  | 249 | 173 | 494  | 191 | 14 kg.          |
| 508 mm     | 205-20-A0-0200       | 737  | 256 | 192 | 545  | 191 | 15 kg.          |
| 610 mm     | 205-24-A0-0200       | 838  | 267 | 227 | 646  | 191 | 16 kg.          |
| 762 mm     | 205-30-A0-0200       | 991  | 286 | 279 | 799  | 191 | 19 kg.          |
| 914 mm     | 205-36-A0-0200       | 1143   | 303 | 333 | 951  | 191 | 22 kg.          |
| 1067 mm    | 205-42-A0-0200       | 1295   | 335 | 386 | 1103 | 203 | 26 kg.          |
| 1219 mm    | 205-48-A0-0200       | 1448   | 352 | 438 | 1256 | 203 | 29 kg.          |

| Belt Width | Assembly Part Number | 2174-35°-Troughing Idler Dimensions<br>102 mm dia. Rolls |     |     |      |     | Assembly Weight |
|------------|----------------------|--|-----|-----|------|-----|-----------------|
|            |                      | A  | E   | G   | H    | K   |                 |
| 457 mm     | 204-18-B0-0200       | 686  | 278 | 173 | 459  | 178 | 13 kg.          |
| 508 mm     | 204-20-B0-0200       | 737  | 287 | 192 | 508  | 178 | 14 kg.          |
| 610 mm     | 204-24-B0-0200       | 838  | 308 | 227 | 598  | 178 | 15 kg.          |
| 762 mm     | 204-30-B0-0200       | 991  | 338 | 279 | 740  | 178 | 18 kg.          |
| 914 mm     | 204-36-B0-0200       | 1143   | 368 | 333 | 879  | 178 | 20 kg.          |
| 1067 mm    | 204-42-B0-0200       | 1295   | 413 | 386 | 1018 | 191 | 24 kg.          |
| 1219 mm    | 204-48-B0-0200       | 1448   | 443 | 438 | 1159 | 191 | 27 kg.          |

| Belt Width | Assembly Part Number | 2175-35°-Troughing Idler Dimensions<br>127 mm dia. Rolls |     |     |      |     | Assembly Weight |
|------------|----------------------|--|-----|-----|------|-----|-----------------|
|            |                      | A  | E   | G   | H    | K   |                 |
| 457 mm     | 205-18-B0-0200       | 686  | 287 | 173 | 445  | 191 | 14 kg.          |
| 508 mm     | 205-20-B0-0200       | 737  | 298 | 192 | 494  | 191 | 15 kg.          |
| 610 mm     | 205-24-B0-0200       | 838  | 319 | 227 | 584  | 191 | 17 kg.          |
| 762 mm     | 205-30-B0-0200       | 991  | 349 | 279 | 724  | 191 | 20 kg.          |
| 914 mm     | 205-36-B0-0200       | 1143   | 379 | 333 | 865  | 191 | 22 kg.          |
| 1067 mm    | 205-42-B0-0200       | 1295   | 422 | 386 | 1003 | 203 | 27 kg.          |
| 1219 mm    | 205-48-B0-0200       | 1448   | 452 | 438 | 1145 | 203 | 30 kg.          |

| Belt Width | Assembly Part Number | 2174-45°-Troughing Idler Dimensions<br>102 mm dia. Rolls |     |     |      |     | Assembly Weight |
|------------|----------------------|--|-----|-----|------|-----|-----------------|
|            |                      | A  | E   | G   | H    | K   |                 |
| 457 mm     | 204-18-C0-0200       | 686  | 300 | 173 | 419  | 178 | 13 kg.          |
| 508 mm     | 204-20-C0-0200       | 737  | 314 | 192 | 464  | 178 | 14 kg.          |
| 610 mm     | 204-24-C0-0200       | 838  | 338 | 227 | 548  | 178 | 15 kg.          |
| 762 mm     | 204-30-C0-0200       | 991  | 376 | 279 | 676  | 178 | 18 kg.          |
| 914 mm     | 204-36-C0-0200       | 1143   | 413 | 333 | 805  | 178 | 22 kg.          |
| 1067 mm    | 204-42-C0-0200       | 1295   | 464 | 386 | 932  | 191 | 26 kg.          |
| 1219 mm    | 204-48-C0-0200       | 1448   | 498 | 438 | 1059 | 191 | 29 kg.          |

| Belt Width | Assembly Part Number | 2175-45°-Troughing Idler Dimensions<br>127 mm dia. Rolls |     |     |      |     | Assembly Weight |
|------------|----------------------|--|-----|-----|------|-----|-----------------|
|            |                      | A  | E   | G   | H    | K   |                 |
| 457 mm     | 205-18-C0-0200       | 686  | 310 | 173 | 402  | 191 | 15 kg.          |
| 508 mm     | 205-20-C0-0200       | 737  | 322 | 192 | 445  | 191 | 15 kg.          |
| 610 mm     | 205-24-C0-0200       | 838  | 348 | 227 | 530  | 191 | 17 kg.          |
| 762 mm     | 205-30-C0-0200       | 991  | 384 | 279 | 659  | 191 | 20 kg.          |
| 914 mm     | 205-36-C0-0200       | 1143   | 422 | 333 | 787  | 191 | 24 kg.          |
| 1067 mm    | 205-42-C0-0200       | 1295   | 471 | 386 | 913  | 203 | 29 kg.          |
| 1219 mm    | 205-48-C0-0200       | 1448   | 510 | 438 | 1041 | 203 | 32 kg.          |



**STEPHENS-ADAMSON CONVEYOR COMPONENTS**  
www.Stephens-Adamson.com

CANADA  
Telephone: 1-800-510-3802  
Fax: 1-613-967-8128

U.S.A.  
Telephone: 1-800-638-6788  
Fax: 1-800-866-1438

INTERNATIONAL  
Telephone: 1-613-962-3411  
Fax: 1-613-967-8128