

'Dimensions in Inches'

Belt Width	Assembly Part Number	R711-2175-20°-Impact Troughing Idler Dimensions 5-3/16" dia. Rolls					Assembly Weight
		A	E	G	H	K	
18"	205-18-AM-0200	27	9-5/8	6-13/16	18-1/2	7-1/2	35 lbs.
20"	205-20-AM-0200	29	9-7/8	7-9/16	20-1/2	7-1/2	36 lbs.
24"	205-24-AM-0200	33	10-3/8	8-15/16	24-1/2	7-1/2	43 lbs.
30"	205-30-AM-0200	39	11-1/16	11	30-1/2	7-1/2	51 lbs.
36"	205-36-AM-0200	45	11-13/16	13-1/8	36-1/2	7-1/2	60 lbs.
42"	205-42-AM-0200	51	13	15-3/16	42-1/2	8	72 lbs.
48"	205-48-AM-0200	57	13-11/16	17-1/4	48-1/2	8	81 lbs.

Belt Width	Assembly Part Number	R711-2175-35°-Impact Troughing Idler Dimensions 5-3/16" dia. Rolls					Assembly Weight
		A	E	G	H	K	
18"	205-18-BM-0200	27	11-1/16	6-13/16	16-11/16	7-1/2	36 lbs.
20"	205-20-BM-0200	29	11-1/2	7-9/16	18-5/8	7-1/2	38 lbs.
24"	205-24-BM-0200	33	12-1/4	8-15/16	22-3/16	7-1/2	44 lbs.
30"	205-30-BM-0200	39	13-7/16	11	27-3/4	7-1/2	53 lbs.
36"	205-36-BM-0200	45	14-11/16	13-1/8	33-1/4	7-1/2	64 lbs.
42"	205-42-BM-0200	51	16-3/8	15-3/16	38-11/16	8	77 lbs.
48"	205-48-BM-0200	57	17-9/16	17-1/4	44-1/4	8	86 lbs.

Belt Width	Assembly Part Number	R711-2175-45°-Impact Troughing Idler Dimensions 5-3/16" dia. Rolls					Assembly Weight
		A	E	G	H	K	
18"	205-18-CM-0200	27	11-7/8	6-13/16	15-1/8	7-1/2	36 lbs.
20"	205-20-CM-0200	29	12-3/8	7-9/16	16-7/8	7-1/2	38 lbs.
24"	205-24-CM-0200	33	13-5/16	8-15/16	20-3/16	7-1/2	45 lbs.
30"	205-30-CM-0200	39	14-13/16	11	25-1/4	7-1/2	53 lbs.
36"	205-36-CM-0200	45	16-5/16	13-1/8	30-5/16	7-1/2	65 lbs.
42"	205-42-CM-0200	51	18-1/4	15-3/16	35-1/4	8	79 lbs.
48"	205-48-CM-0200	57	19-3/4	17-1/4	40-5/16	8	87 lbs.

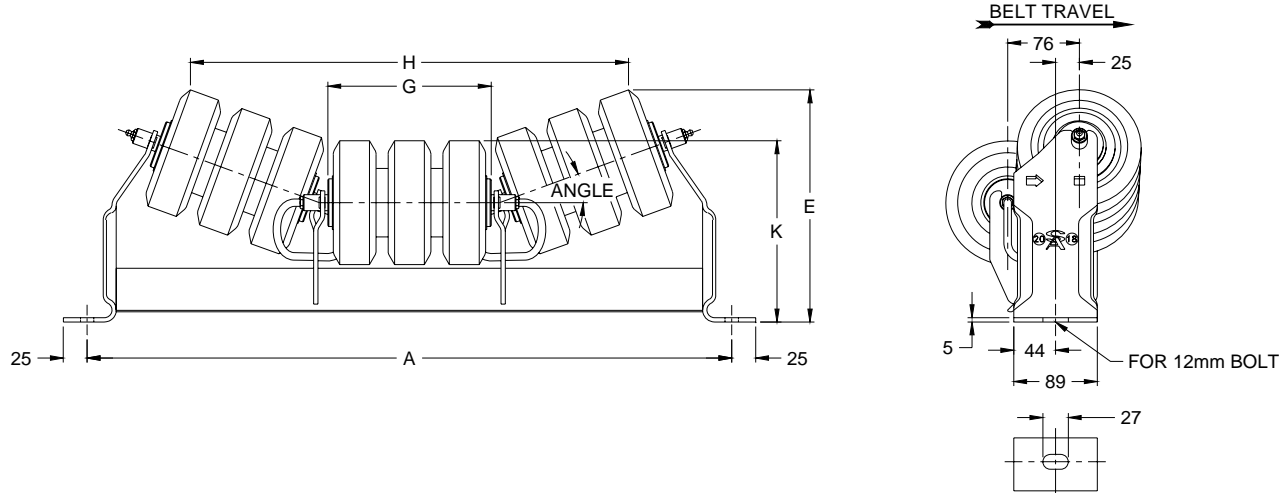


STEPHENS-ADAMSON CONVEYOR COMPONENTS
www.Stephens-Adamson.com

CANADA
Telephone: 1-800-510-3802
Fax: 1-613-967-8128

U.S.A.
Telephone: 1-800-638-6788
Fax: 1-800-866-1438

INTERNATIONAL
Telephone: 1-613-962-3411
Fax: 1-613-967-8128



'Dimensions in Millimeters'

Belt Width	Assembly Part Number	R711-2175-20°-Impact Troughing Idler Dimensions 5-3/16" dia. Rolls					Assembly Weight
		A	E	G	H	K	
457 mm	205-18-AM-0200	686	244	173	470	191	16 kg.
508 mm	205-20-AM-0200	737	251	192	521	191	16 kg.
610 mm	205-24-AM-0200	838	264	227	622	191	20 kg.
762 mm	205-30-AM-0200	991	281	279	775	191	23 kg.
914 mm	205-36-AM-0200	1143	300	333	927	191	27 kg.
1067 mm	205-42-AM-0200	1295	330	386	1080	203	33 kg.
1219 mm	205-48-AM-0200	1448	348	438	1232	203	37 kg.

Belt Width	Assembly Part Number	R711-2175-35°-Impact Troughing Idler Dimensions 5-3/16" dia. Rolls					Assembly Weight
		A	E	G	H	K	
457 mm	205-18-BM-0200	686	281	173	424	191	16 kg.
508 mm	205-20-BM-0200	737	292	192	473	191	17 kg.
610 mm	205-24-BM-0200	838	311	227	564	191	20 kg.
762 mm	205-30-BM-0200	991	341	279	705	191	24 kg.
914 mm	205-36-BM-0200	1143	373	333	845	191	29 kg.
1067 mm	205-42-BM-0200	1295	416	386	983	203	35 kg.
1219 mm	205-48-BM-0200	1448	446	438	1124	203	39 kg.

Belt Width	Assembly Part Number	R711-2175-45°-Impact Troughing Idler Dimensions 5-3/16" dia. Rolls					Assembly Weight
		A	E	G	H	K	
457 mm	205-18-CM-0200	686	302	173	384	191	16 kg.
508 mm	205-20-CM-0200	737	314	192	429	191	17 kg.
610 mm	205-24-CM-0200	838	338	227	513	191	20 kg.
762 mm	205-30-CM-0200	991	376	279	641	191	24 kg.
914 mm	205-36-CM-0200	1143	414	333	770	191	29 kg.
1067 mm	205-42-CM-0200	1295	464	386	895	203	36 kg.
1219 mm	205-48-CM-0200	1448	502	438	1024	203	39 kg.



STEPHENS-ADAMSON CONVEYOR COMPONENTS
www.Stephens-Adamson.com

CANADA
Telephone: 1-800-510-3802
Fax: 1-613-967-8128

U.S.A.
Telephone: 1-800-638-6788
Fax: 1-800-866-1438

INTERNATIONAL
Telephone: 1-613-962-3411
Fax: 1-613-967-8128