

'Dimensions in Inches'

Belt Width	Roller Assembly Part Number	R710-2175- 1-1/4" Rubber Disc Return Idler Dimensions 5" dia. Rolls		Assembly Weight
		A	G	
18"	205-18-92-0200	27	22-3/4	27 lbs.
20"	205-20-92-0200	29	24-3/4	28 lbs.
24"	205-24-92-0200	33	28-3/4	31 lbs.
30"	205-30-92-0200	39	34-3/4	35 lbs.
36"	205-36-92-0200	45	40-3/4	40 lbs.
42"	205-42-92-0200	51	46-3/4	45 lbs.
48"	205-48-92-0200	57	52-3/4	50 lbs.

1-1/4" Drop Bracket Part Number
MD-IDL19-56-00

Note: BRACKETS ARE PRICED AND SOLD SEPARATELY, TWO BRACKETS ARE REQUIRED PER ROLLER.



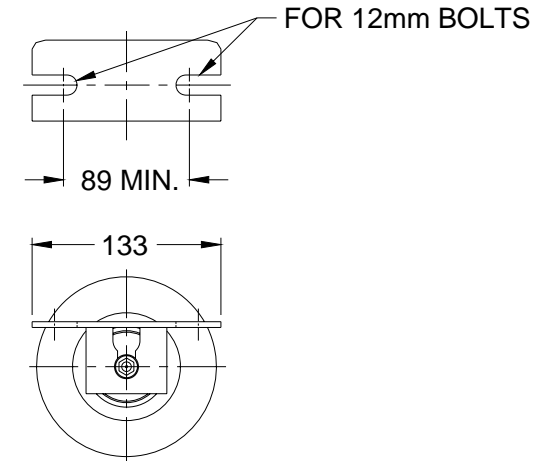
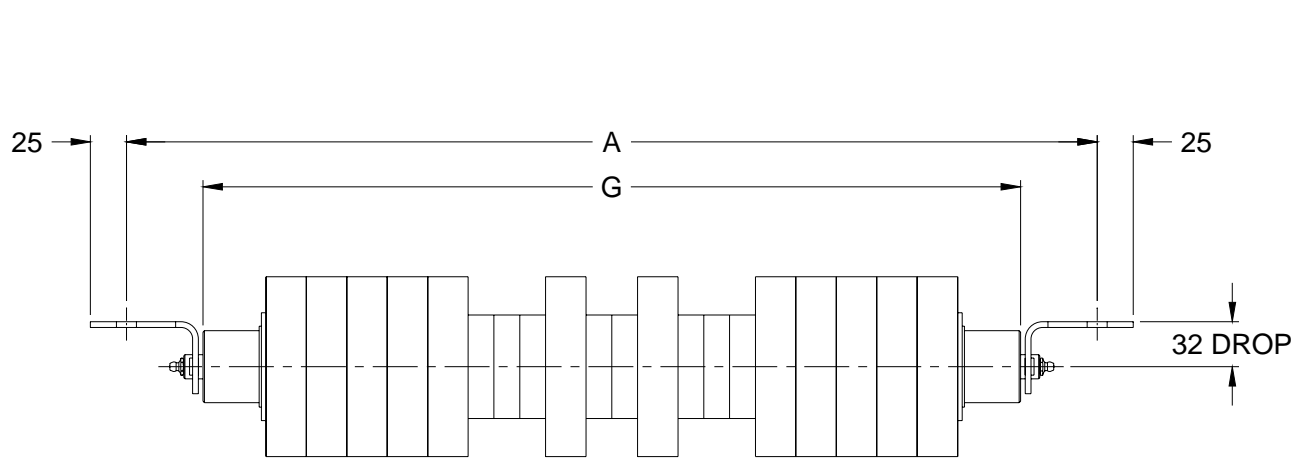
STEPHENS-ADAMSON CONVEYOR COMPONENTS
www.Stephens-Adamson.com

CANADA
Telephone: 1-800-510-3802
Fax: 1-613-967-8128

U.S.A.
Telephone: 1-800-638-6788
Fax: 1-800-866-1438

INTERNATIONAL
Telephone: 1-613-962-3411
Fax: 1-613-967-8128

DS-E-IDL-00-051 A



'Dimensions in Millimeters'

Belt Width	Roller Assembly Part Number	R710-2175-32 mm Rubber Disc Return Idler Dimensions 127 mm dia. Rolls		Assembly Weight
		A	G	
457 mm	205-18-92-0200	686	578	12 kg.
508 mm	205-20-92-0200	737	629	13 kg.
610 mm	205-24-92-0200	838	730	14 kg.
762 mm	205-30-92-0200	991	883	16 kg.
914 mm	205-36-92-0200	1143	1035	18 kg.
1067 mm	205-42-92-0200	1295	1187	20 kg.
1219 mm	205-48-92-0200	1448	1340	23 kg.

32 mm Drop Bracket Part Number
MD-IDL19-56-00

Note: BRACKETS ARE PRICED AND SOLD SEPARATELY, TWO BRACKETS ARE REQUIRED PER ROLLER.

