

'Dimensions in Inches'

Belt Width	Roller Assembly Part Number	R710-2175- 4-1/2" Rubber Disc Return Idler Dimensions 5" dia. Rolls		Assembly Weight
		A	G	
18"	205-18-92-0200	27	22-3/4	28 lbs.
20"	205-20-92-0200	29	24-3/4	29 lbs.
24"	205-24-92-0200	33	28-3/4	32 lbs.
30"	205-30-92-0200	39	34-3/4	36 lbs.
36"	205-36-92-0200	45	40-3/4	41 lbs.
42"	205-42-92-0200	51	46-3/4	46 lbs.
48"	205-48-92-0200	57	52-3/4	51 lbs.

4-1/2" Drop Bracket Part Number
MD-IDL19-57-00

Note: BRACKETS ARE PRICED AND SOLD SEPARATELY, TWO BRACKETS ARE REQUIRED PER ROLLER.

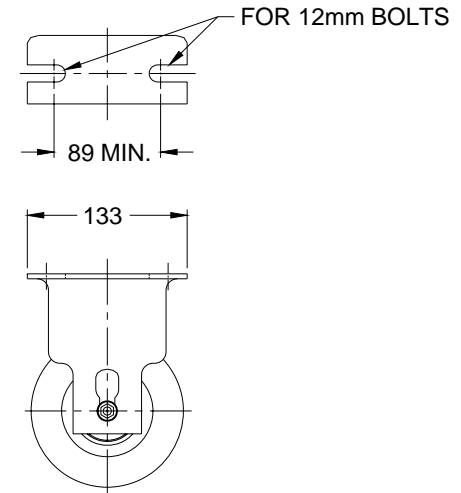
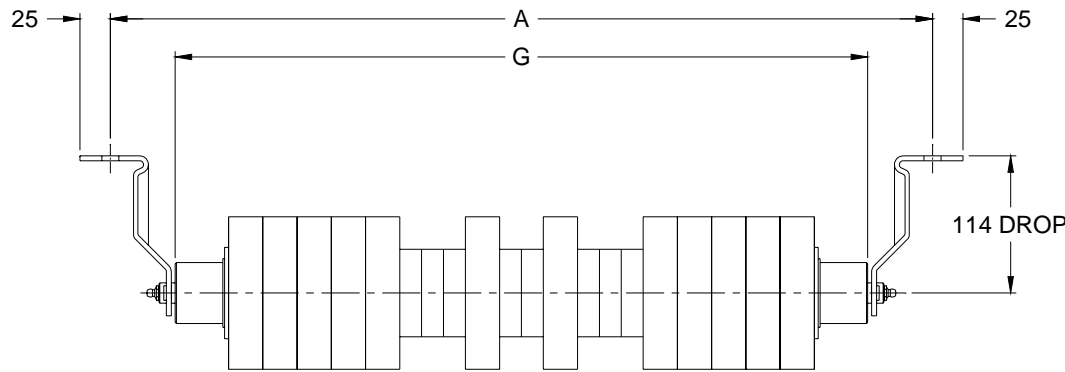


STEPHENS-ADAMSON CONVEYOR COMPONENTS
www.Stephens-Adams.com

CANADA
Telephone: 1-800-510-3802
Fax: 1-613-967-8128

U.S.A.
Telephone: 1-800-638-6788
Fax: 1-800-866-1438

INTERNATIONAL
Telephone: 1-613-962-3411
Fax: 1-613-967-8128



'Dimensions in Millimeters'

Belt Width	Roller Assembly Part Number	R710-2175- 114 mm Rubber Disc Return Idler Dimensions 127 mm dia. Rolls		Assembly Weight
		A	G	
457 mm	205-18-92-0200	686	578	13 kg.
508 mm	205-20-92-0200	737	629	13 kg.
610 mm	205-24-92-0200	838	730	15 kg.
762 mm	205-30-92-0200	991	883	16 kg.
914 mm	205-36-92-0200	1143	1035	19 kg.
1067 mm	205-42-92-0200	1295	1187	21 kg.
1219 mm	205-48-92-0200	1448	1340	23 kg.

**114 mm Drop Bracket
Part Number**
MD-IDL19-57-00

Note: BRACKETS ARE PRICED AND SOLD SEPARATELY, TWO BRACKETS ARE REQUIRED PER ROLLER.



STEPHENS-ADAMSON CONVEYOR COMPONENTS
www.Stephens-Adamson.com

CANADA
Telephone: 1-800-510-3802
Fax: 1-613-967-8128

U.S.A.
Telephone: 1-800-638-6788
Fax: 1-800-866-1438

INTERNATIONAL
Telephone: 1-613-962-3411
Fax: 1-613-967-8128