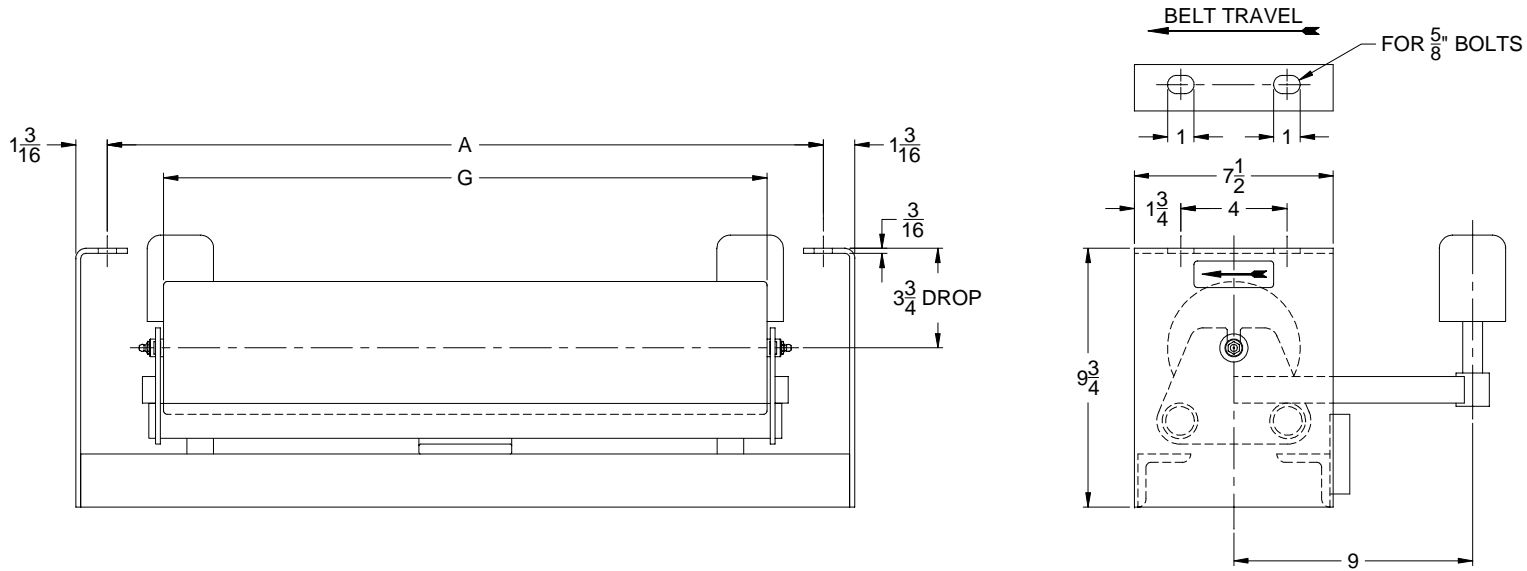




STEPHENS-ADAMSON CONVEYING

Note: Dimensions for REFERENCE ONLY and are SUBJECT TO CHANGE WITHOUT NOTICE.
Contact Stephens-Adamson Conveying for Certified Dimensions Prints.

CEMA "B" 2170 Series ST-PA Return Idlers - Regreasable



'Dimensions in Inches'

Belt Width	Assembly Part Number	2174-3-3/4-ST-PA Return Idler Dimensions 4" dia. Rolls		Assembly Weight
		A	G	
18"	204-18-44-0200	27	22-3/4	64 lbs.
20"	204-20-44-0200	29	24-3/4	67 lbs.
24"	204-24-44-0200	33	28-3/4	73 lbs.
30"	204-30-44-0200	39	34-3/4	82 lbs.
36"	204-36-44-0200	45	40-3/4	91 lbs.
42"	204-42-44-0200	51	46-3/4	103 lbs.
48"	204-48-44-0200	57	52-3/4	114 lbs.

Belt Width	Assembly Part Number	2175-3-3/4-ST-PA Return Idler Dimensions 5" dia. Rolls		Assembly Weight
		A	G	
18"	205-18-44-0200	27	22-3/4	67 lbs.
20"	205-20-44-0200	29	24-3/4	70 lbs.
24"	205-24-44-0200	33	28-3/4	76 lbs.
30"	205-30-44-0200	39	34-3/4	86 lbs.
36"	205-36-44-0200	45	40-3/4	95 lbs.
42"	205-42-44-0200	51	46-3/4	108 lbs.
48"	205-48-44-0200	57	52-3/4	118 lbs.

STEPHENS-ADAMSON CONVEYING

www.Stephens-Adamson.com

CANADA
Telephone: 1-800-510-3802
Fax: 1-613-967-8128

U.S.A.
Telephone: 1-800-638-6788
Fax: 1-800-866-1438

INTERNATIONAL
Telephone: 1-613-962-3411
Fax: 1-613-967-8128

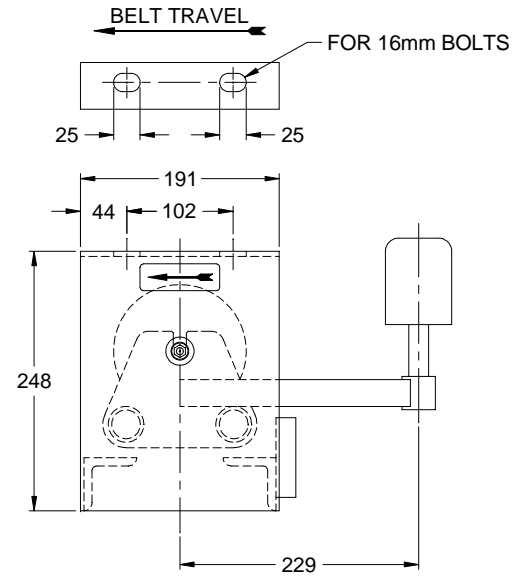
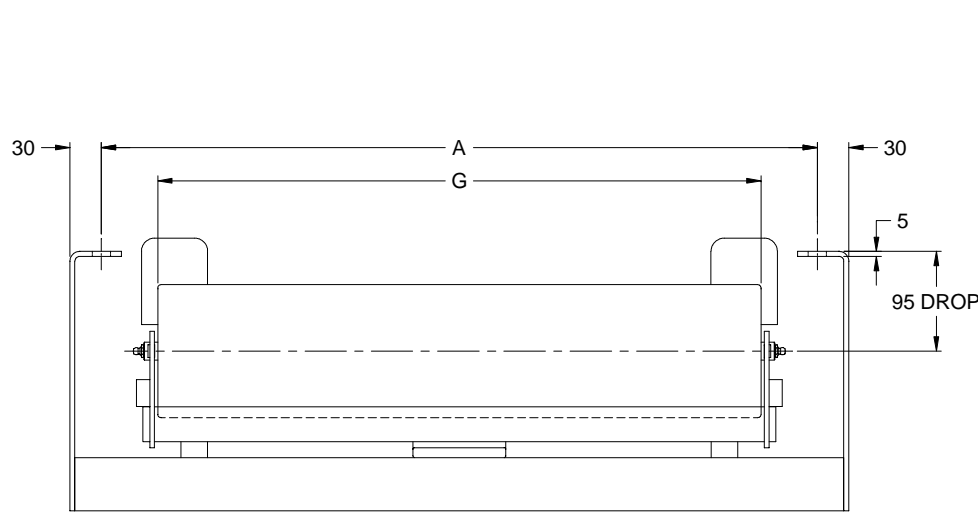
DS-E-IDL-00-054 A



STEPHENS-ADAMSON CONVEYING

Note: Dimensions for REFERENCE ONLY and are SUBJECT TO CHANGE WITHOUT NOTICE.
Contact Stephens-Adamson Conveying for Certified Dimensions Prints.

CEMA "B" 2170 Series ST-PA Return Idlers - Regreasable



'Dimensions in Millimeters'

Belt Width	Assembly Part Number	2174-3-3/4-ST-PA Return Idler Dimensions 102 mm dia. Rolls		Assembly Weight
		A	G	
457 mm	204-18-44-0200	686	578	29 kg.
508 mm	204-20-44-0200	737	629	30 kg.
610 mm	204-24-44-0200	838	730	33 kg.
762 mm	204-30-44-0200	991	883	37 kg.
914 mm	204-36-44-0200	1143	1035	41 kg.
1067 mm	204-42-44-0200	1295	1187	47 kg.
1219 mm	204-48-44-0200	1448	1340	52 kg.

Belt Width	Assembly Part Number	2175-3-3/4-ST-PA Return Idler Dimensions 127 mm dia. Rolls		Assembly Weight
		A	G	
457 mm	205-18-44-0200	686	578	30 kg.
508 mm	205-20-44-0200	737	629	32 kg.
610 mm	205-24-44-0200	838	730	34 kg.
762 mm	205-30-44-0200	991	883	39 kg.
914 mm	205-36-44-0200	1143	1035	43 kg.
1067 mm	205-42-44-0200	1295	1187	49 kg.
1219 mm	205-48-44-0200	1448	1340	54 kg.

STEPHENS-ADAMSON CONVEYING

www.Stephens-Adamson.com

CANADA
Telephone: 1-800-510-3802
Fax: 1-613-967-8128

U.S.A.
Telephone: 1-800-638-6788
Fax: 1-800-866-1438

INTERNATIONAL
Telephone: 1-613-962-3411
Fax: 1-613-967-8128

DS-E-IDL-00-054 A