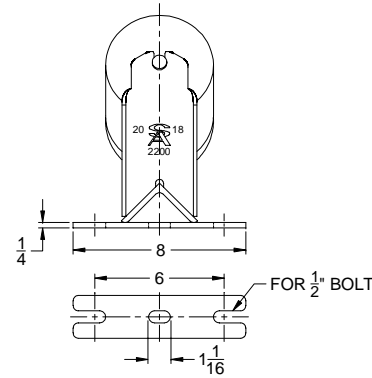
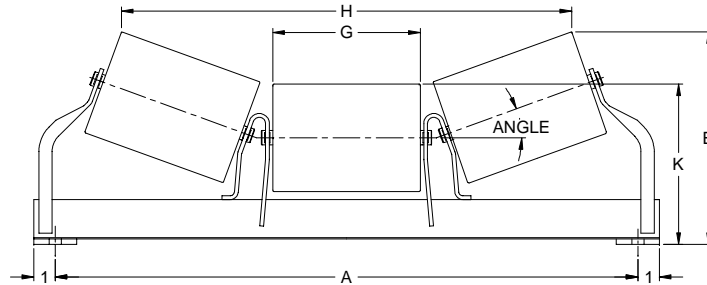




STEPHENS-ADAMSON CONVEYING

Note: Dimensions for REFERENCE ONLY and are SUBJECT TO CHANGE WITHOUT NOTICE.
Contact Stephens-Adamson Conveying for Certified Dimensions Prints.

CEMA "B" 2200 Series Inline Idlers - Sealed for Life



'Dimensions in Inches'

Belt Width	Assembly Part Number	2204-20° Troughing Idler Dimensions 4" dia. Rolls					Assembly Weight
		A	E	G	H	K	
18"	224-18-A0-0120	27	9-7/16	6-13/16	21-3/16	7	31 lbs.
20"	224-20-A0-0120	29	9-11/16	7-9/16	23-1/4	7	33 lbs.
24"	224-24-A0-0120	33	10-3/16	8-15/16	27-1/4	7	37 lbs.
30"	224-30-A0-0120	39	10-7/8	11-1/16	33-1/4	7	43 lbs.
36"	224-36-A0-0120	45	11-5/8	13-1/8	39-1/4	7	48 lbs.
42"	224-42-A0-0120	51	12-5/8	15-3/16	45-1/4	7-5/16	51 lbs.
48"	224-48-A0-0120	57	13-3/8	17-1/4	51-1/4	7-5/16	57 lbs.

Belt Width	Assembly Part Number	2205-20° Troughing Idler Dimensions 5" dia. Rolls					Assembly Weight
		A	E	G	H	K	
18"	225-18-A0-0120	27	9-15/16	6-13/16	20-7/8	7-1/2	35 lbs.
20"	225-20-A0-0120	29	10-1/8	7-9/16	22-15/16	7-1/2	37 lbs.
24"	225-24-A0-0120	33	10-5/8	8-15/16	26-7/8	7-1/2	41 lbs.
30"	225-30-A0-0120	39	11-3/8	11-1/16	32-15/16	7-1/2	48 lbs.
36"	225-36-A0-0120	45	12-1/16	13-1/8	38-15/16	7-1/2	54 lbs.
42"	225-42-A0-0120	51	13-1/8	15-3/16	44-7/8	7-13/16	58 lbs.
48"	225-48-A0-0120	57	13-13/16	17-1/4	50-15/16	7-13/16	64 lbs.

Belt Width	Assembly Part Number	2204-35°-Troughing Idler Dimensions 4" dia. Rolls					Assembly Weight
		A	E	G	H	K	
18"	224-18-B0-0120	27	11-1/16	6-13/16	19-1/16	7	32 lbs.
20"	224-20-B0-0120	29	11-1/2	7-9/16	20-15/16	7	34 lbs.
24"	224-24-B0-0120	33	12-1/4	8-15/16	24-9/16	7	38 lbs.
30"	224-30-B0-0120	39	13-7/16	11-1/16	30-1/8	7	44 lbs.
36"	224-36-B0-0120	45	14-11/16	13-1/8	35-5/8	7	50 lbs.
42"	224-42-B0-0120	51	16-3/16	15-3/16	41-1/8	7-5/16	54 lbs.
48"	224-48-B0-0120	57	17-3/8	17-1/4	46-5/8	7-5/16	60 lbs.

Belt Width	Assembly Part Number	2205-35°-Troughing Idler Dimensions 5" dia. Rolls					Assembly Weight
		A	E	G	H	K	
18"	225-18-B0-0120	27	11-7/16	6-13/16	18-1/2	7-1/2	36 lbs.
20"	225-20-B0-0120	29	11-7/8	7-9/16	20-3/8	7-1/2	38 lbs.
24"	225-24-B0-0120	33	12-11/16	8-15/16	24-1/16	7-1/2	42 lbs.
30"	225-30-B0-0120	39	13-7/8	11-1/16	29-9/16	7-1/2	49 lbs.
36"	225-36-B0-0120	45	15-1/16	13-1/8	35-1/16	7-1/2	56 lbs.
42"	225-42-B0-0120	51	16-9/16	15-3/16	40-1/2	7-13/16	60 lbs.
48"	225-48-B0-0120	57	17-13/16	17-1/4	46-1/16	7-13/16	67 lbs.

Belt Width	Assembly Part Number	2204-45°-Troughing Idler Dimensions 4" dia. Rolls					Assembly Weight
		A	E	G	H	K	
18"	224-18-C0-0120	27	11-15/16	6-13/16	17-5/16	7	33 lbs.
20"	224-20-C0-0120	29	12-1/2	7-9/16	19-1/16	7	35 lbs.
24"	224-24-C0-0120	33	13-7/16	8-15/16	22-3/8	7	39 lbs.
30"	224-30-C0-0120	39	14-15/16	11-1/16	27-7/16	7	44 lbs.
36"	224-36-C0-0120	45	16-7/16	13-1/8	32-1/2	7	51 lbs.
42"	224-42-C0-0120	51	18-3/16	15-3/16	37-7/16	7-5/16	55 lbs.
48"	224-48-C0-0120	57	19-11/16	17-1/4	42-1/2	7-5/16	61 lbs.

Belt Width	Assembly Part Number	2205-45°-Troughing Idler Dimensions 5" dia. Rolls					Assembly Weight
		A	E	G	H	K	
18"	225-18-C0-0120	27	12-5/16	6-13/16	16-5/8	7-1/2	37 lbs.
20"	225-20-C0-0120	29	12-13/16	7-9/16	18-5/16	7-1/2	39 lbs.
24"	225-24-C0-0120	33	13-13/16	8-15/16	21-11/16	7-1/2	43 lbs.
30"	225-30-C0-0120	39	15-5/16	11-1/16	26-11/16	7-1/2	50 lbs.
36"	225-36-C0-0120	45	16-3/4	13-1/8	31-3/4	7-1/2	57 lbs.
42"	225-42-C0-0120	51	18-9/16	15-3/16	36-3/4	7-13/16	61 lbs.
48"	225-48-C0-0120	57	20-1/16	17-1/4	41-13/16	7-13/16	68 lbs.

STEPHENS-ADAMSON CONVEYING

www.Stephens-Adamson.com

CANADA
Telephone: 1-800-510-3802
Fax: 1-613-967-8128

U.S.A.
Telephone: 1-800-638-6788
Fax: 1-800-866-1438

INTERNATIONAL
Telephone: 1-613-962-3411
Fax: 1-613-967-8128

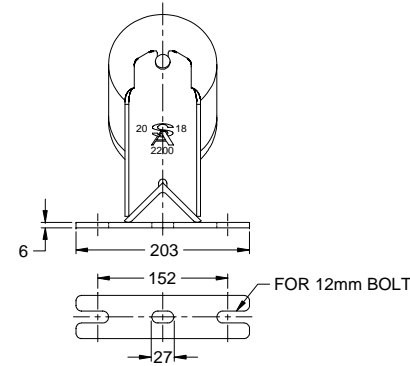
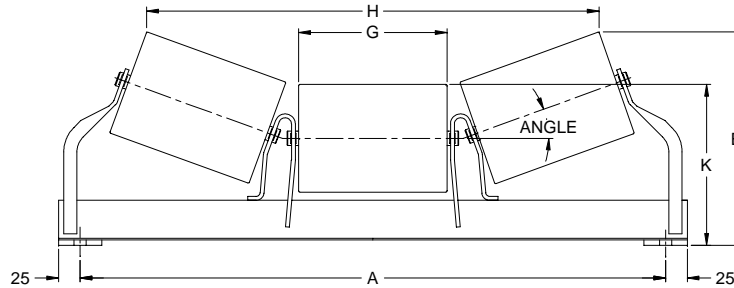
DS-E-IDL-00-057



STEPHENS-ADAMSON CONVEYING

Note: Dimensions for REFERENCE ONLY and are SUBJECT TO CHANGE WITHOUT NOTICE.
Contact Stephens-Adamson Conveying for Certified Dimensions Prints.

CEMA "B" 2200 Series Inline Idlers - Sealed for Life



'Dimensions in Millimeters'

Belt Width	Assembly Part Number	2204-20° Troughing Idler Dimensions 102 mm dia. Rolls					Assembly Weight
		A	E	G	H	K	
457 mm	224-18-A0-0120	686	240	173	538	178	14 kg.
508 mm	224-20-A0-0120	737	246	192	591	178	14 kg.
610 mm	224-24-A0-0120	838	259	227	692	178	16 kg.
762 mm	224-30-A0-0120	991	276	281	845	178	19 kg.
914 mm	224-36-A0-0120	1143	295	333	997	178	21 kg.
1067 mm	224-42-A0-0120	1295	321	386	1149	186	22 kg.
1219 mm	224-48-A0-0120	1448	340	438	1302	186	25 kg.

Belt Width	Assembly Part Number	2204-35° Troughing Idler Dimensions 102 mm dia. Rolls					Assembly Weight
		A	E	G	H	K	
457 mm	224-18-B0-0120	686	281	173	484	178	15 kg.
508 mm	224-20-B0-0120	737	292	192	532	178	15 kg.
610 mm	224-24-B0-0120	838	311	227	624	178	17 kg.
762 mm	224-30-B0-0120	991	341	281	765	178	20 kg.
914 mm	224-36-B0-0120	1143	373	333	905	178	23 kg.
1067 mm	224-42-B0-0120	1295	411	386	1045	186	24 kg.
1219 mm	224-48-B0-0120	1448	441	438	1184	186	27 kg.

Belt Width	Assembly Part Number	2204-45° Troughing Idler Dimensions 102 mm dia. Rolls					Assembly Weight
		A	E	G	H	K	
457 mm	224-18-C0-0120	686	303	173	440	178	15 kg.
508 mm	224-20-C0-0120	737	318	192	484	178	16 kg.
610 mm	224-24-C0-0120	838	341	227	568	178	18 kg.
762 mm	224-30-C0-0120	991	379	281	697	178	20 kg.
914 mm	224-36-C0-0120	1143	418	333	826	178	23 kg.
1067 mm	224-42-C0-0120	1295	462	386	951	186	25 kg.
1219 mm	224-48-C0-0120	1448	500	438	1080	186	28 kg.

Belt Width	Assembly Part Number	2205-20° Troughing Idler Dimensions 127 mm dia. Rolls					Assembly Weight
		A	E	G	H	K	
457 mm	225-18-A0-0120	686	252	173	530	191	16 kg.
508 mm	225-20-A0-0120	737	257	192	583	191	17 kg.
610 mm	225-24-A0-0120	838	270	227	683	191	19 kg.
762 mm	225-30-A0-0120	991	289	281	837	191	22 kg.
914 mm	225-36-A0-0120	1143	306	333	989	191	24 kg.
1067 mm	225-42-A0-0120	1295	333	386	1140	198	26 kg.
1219 mm	225-48-A0-0120	1448	351	438	1294	198	29 kg.

Belt Width	Assembly Part Number	2205-35° Troughing Idler Dimensions 127 mm dia. Rolls					Assembly Weight
		A	E	G	H	K	
457 mm	225-18-B0-0120	686	291	173	470	191	16 kg.
508 mm	225-20-B0-0120	737	302	192	518	191	17 kg.
610 mm	225-24-B0-0120	838	322	227	611	191	19 kg.
762 mm	225-30-B0-0120	991	352	281	751	191	22 kg.
914 mm	225-36-B0-0120	1143	383	333	891	191	25 kg.
1067 mm	225-42-B0-0120	1295	421	386	1029	198	27 kg.
1219 mm	225-48-B0-0120	1448	452	438	1170	198	30 kg.

Belt Width	Assembly Part Number	2205-45° Troughing Idler Dimensions 127 mm dia. Rolls					Assembly Weight
		A	E	G	H	K	
457 mm	225-18-C0-0120	686	313	173	422	191	17 kg.
508 mm	225-20-C0-0120	737	325	192	465	191	18 kg.
610 mm	225-24-C0-0120	838	351	227	551	191	20 kg.
762 mm	225-30-C0-0120	991	389	281	678	191	23 kg.
914 mm	225-36-C0-0120	1143	425	333	806	191	26 kg.
1067 mm	225-42-C0-0120	1295	471	386	933	198	28 kg.
1219 mm	225-48-C0-0120	1448	510	438	1062	198	31 kg.

STEPHENS-ADAMSON CONVEYING

www.Stephens-Adamson.com

CANADA
Telephone: 1-800-510-3802
Fax: 1-613-967-8128

U.S.A.
Telephone: 1-800-638-6788
Fax: 1-800-866-1438

INTERNATIONAL
Telephone: 1-613-962-3411
Fax: 1-613-967-8128

DS-E-IDL-00-057