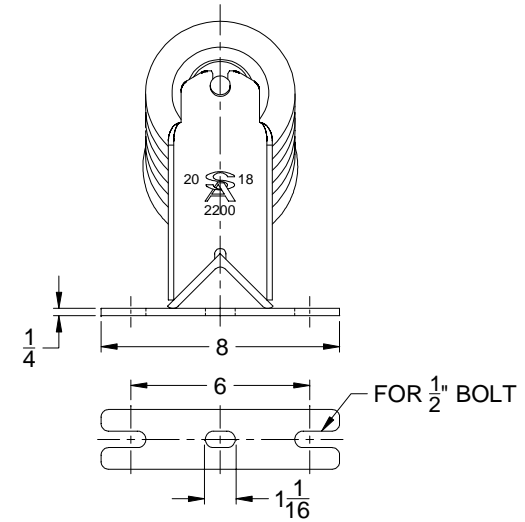
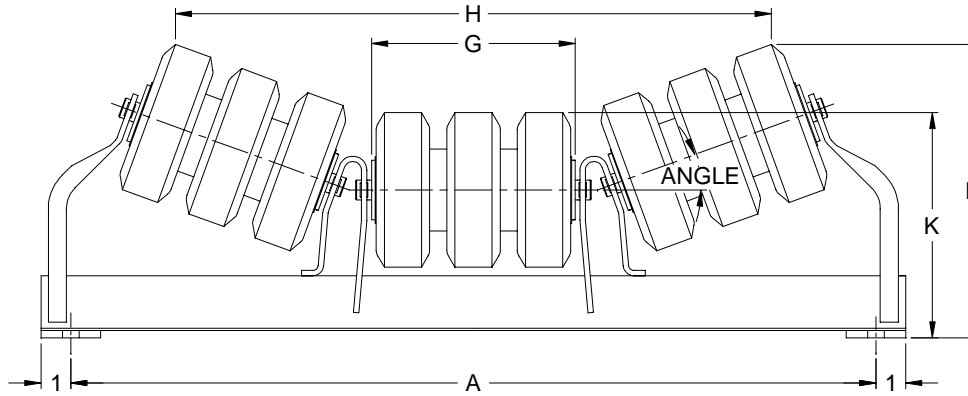




STEPHENS-ADAMSON CONVEYING

Note: Dimensions for REFERENCE ONLY and are SUBJECT TO CHANGE WITHOUT NOTICE.
Contact Stephens-Adamson Conveying for Certified Dimensions Prints.

CEMA "B" 2200 Series Inline Impact Idlers - Sealed for Life



'Dimensions in Inches'

Belt Width	Assembly Part Number	R711-2205-20°-Impact Troughing Idler Dimensions 5-3/16" dia. Rolls					Assembly Weight
		A	E	G	H	K	
18"	225-18-AM-0120	27	9-7/8	6-13/16	20	7-1/2	39 lbs.
20"	225-20-AM-0120	29	10-1/8	7-9/16	22-1/16	7-1/2	41 lbs.
24"	225-24-AM-0120	33	10-9/16	8-15/16	26-1/16	7-1/2	48 lbs.
30"	225-30-AM-0120	39	11-5/16	11-1/16	32-1/16	7-1/2	57 lbs.
36"	225-36-AM-0120	45	12	13-1/8	38-1/8	7-1/2	66 lbs.
42"	225-42-AM-0120	51	13-1/16	15-3/16	44	7-13/16	75 lbs.
48"	225-48-AM-0120	57	13-3/4	17-1/4	50-1/16	7-13/16	81 lbs.

Belt Width	Assembly Part Number	R711-2205-35°-Impact Troughing Idler Dimensions 5-3/16" dia. Rolls					Assembly Weight
		A	E	G	H	K	
18"	225-18-BM-0120	27	11-5/16	6-13/16	17-5/8	7-1/2	40
20"	225-20-BM-0120	29	11-11/16	7-9/16	19-9/16	7-1/2	43
24"	225-24-BM-0120	33	12-1/2	8-15/16	23-3/16	7-1/2	49
30"	225-30-BM-0120	39	13-11/16	11-1/16	28-3/4	7-1/2	58
36"	225-36-BM-0120	45	14-15/16	13-1/8	34-1/4	7-1/2	67
42"	225-42-BM-0120	51	15-3/4	15-3/16	39-11/16	7-13/16	75
48"	225-48-BM-0120	57	17-5/8	17-1/4	45-1/4	7-13/16	84

Belt Width	Assembly Part Number	R711-2205-45°-Impact Troughing Idler Dimensions 5-3/16" dia. Rolls					Assembly Weight
		A	E	G	H	K	
18"	225-18-CM-0120	27	12-1/16	6-13/16	15-7/8	7-1/2	41 lbs.
20"	225-20-CM-0120	29	12-5/8	7-9/16	17-5/8	7-1/2	43 lbs.
24"	225-24-CM-0120	33	13-9/16	8-15/16	20-15/16	7-1/2	50 lbs.
30"	225-30-CM-0120	39	15-1/16	11-1/16	26	7-1/2	59 lbs.
36"	225-36-CM-0120	45	16-1/2	13-1/8	31-1/16	7-1/2	64 lbs.
42"	225-42-CM-0120	51	18-5/16	15-3/16	36-1/16	7-13/16	75 lbs.
48"	225-48-CM-0120	57	19-13/16	17-1/4	41-1/16	7-13/16	85 lbs.

STEPHENS-ADAMSON CONVEYING

www.Stephens-Adamson.com

CANADA
Telephone: 1-800-510-3802
Fax: 1-613-967-8128

U.S.A.
Telephone: 1-800-638-6788
Fax: 1-800-866-1438

INTERNATIONAL
Telephone: 1-613-962-3411
Fax: 1-613-967-8128

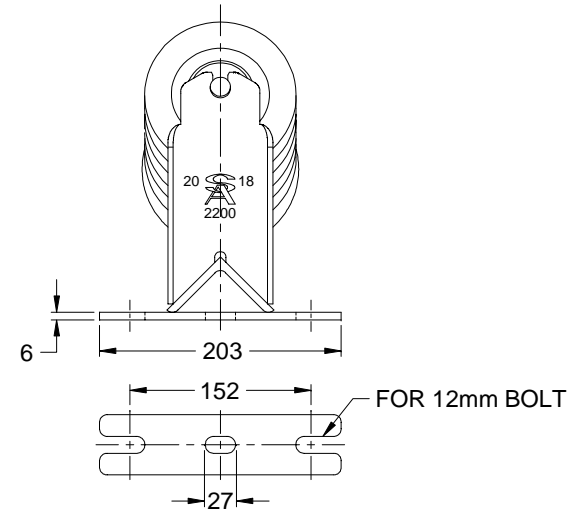
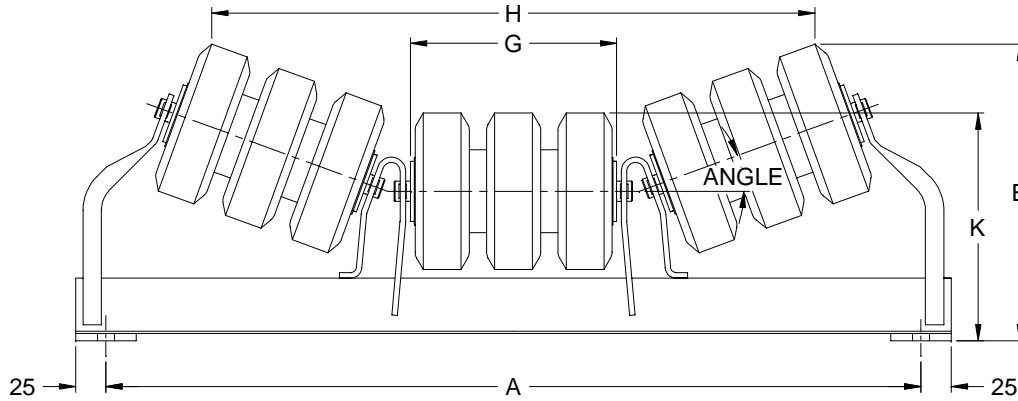
DS-E-IDL-00-058



STEPHENS-ADAMSON CONVEYING

Note: Dimensions for REFERENCE ONLY and are SUBJECT TO CHANGE WITHOUT NOTICE.
Contact Stephens-Adamson Conveying for Certified Dimensions Prints.

CEMA "B" 2200 Series Inline Impact Idlers - Sealed for Life



'Dimensions in Millimeters'

Belt Width	Assembly Part Number	R711-2205-20°-Impact Troughing Idler Dimensions 132 mm dia. Rolls					Assembly Weight
		A	E	G	H	K	
457 mm	225-18-AM-0120	686	251	173	508	191	18 kg.
508 mm	225-20-AM-0120	737	257	192	560	191	19 kg.
610 mm	225-24-AM-0120	838	268	227	662	191	22 kg.
762 mm	225-30-AM-0120	991	287	281	814	191	26 kg.
914 mm	225-36-AM-0120	1143	305	333	968	191	30 kg.
1067 mm	225-42-AM-0120	1295	332	386	1118	198	34 kg.
1219 mm	225-48-AM-0120	1448	349	438	1272	198	37 kg.

Belt Width	Assembly Part Number	R711-2205-35°-Impact Troughing Idler Dimensions 132 mm dia. Rolls					Assembly Weight
		A	E	G	H	K	
457 mm	225-18-BM-0120	686	287	173	448	191	18 kg.
508 mm	225-20-BM-0120	737	297	192	497	191	20 kg.
610 mm	225-24-BM-0120	838	318	227	589	191	22 kg.
762 mm	225-30-BM-0120	991	348	281	730	191	26 kg.
914 mm	225-36-BM-0120	1143	379	333	870	191	30 kg.
1067 mm	225-42-BM-0120	1295	400	386	1008	198	34 kg.
1219 mm	225-48-BM-0120	1448	448	438	1149	198	38 kg.

Belt Width	Assembly Part Number	R711-2205-45°-Impact Troughing Idler Dimensions 132 mm dia. Rolls					Assembly Weight
		A	E	G	H	K	
457 mm	225-18-CM-0120	686	306	173	403	191	19 kg.
508 mm	225-20-CM-0120	737	321	192	448	191	20 kg.
610 mm	225-24-CM-0120	838	344	227	532	191	23 kg.
762 mm	225-30-CM-0120	991	383	281	660	191	27 kg.
914 mm	225-36-CM-0120	1143	419	333	789	191	29 kg.
1067 mm	225-42-CM-0120	1295	465	386	916	198	34 kg.
1219 mm	225-48-CM-0120	1448	503	438	1043	198	39 kg.

STEPHENS-ADAMSON CONVEYING

www.Stephens-Adamson.com

CANADA
Telephone: 1-800-510-3802
Fax: 1-613-967-8128

U.S.A.
Telephone: 1-800-638-6788
Fax: 1-800-866-1438

INTERNATIONAL
Telephone: 1-613-962-3411
Fax: 1-613-967-8128

DS-E-IDL-00-058