

*'Dimensions in Inches'*

Belt Width	Assembly Part Number	2204-20°-ST-PA Troughing Belt Training Idler Dimensions 4" dia. Rolls					Assembly Weight
		A	E	G	K	L	
18"	224-18-AT-0120	27	12-5/8	6-13/16	7-1/4	23	79 lbs.
20"	224-20-AT-0120	29	12-7/8	7-9/16	7-1/4	25-1/16	83 lbs.
24"	224-24-AT-0120	33	13-5/16	8-15/16	7-1/4	29	89 lbs.
30"	224-30-AT-0120	39	14-1/16	11-1/16	7-1/4	35-1/16	98 lbs.
36"	224-36-AT-0120	45	14-3/4	13-1/8	7-1/4	41-1/8	108 lbs.
42"	224-42-AT-0120	51	15-13/16	15-3/16	7-9/16	47-1/16	114 lbs.
48"	224-48-AT-0120	57	16-1/2	17-1/4	7-9/16	53-1/16	123 lbs.

Belt Width	Assembly Part Number	2204-35°-ST-PA Troughing Belt Training Idler Dimensions 4" dia. Rolls					Assembly Weight
		A	E	G	K	L	
18"	224-18-BT-0120	27	14-3/8	6-13/16	7-1/4	19-1/2	81 lbs.
20"	224-20-BT-0120	29	14-3/4	7-9/16	7-1/4	21-7/16	84 lbs.
24"	224-24-BT-0120	33	15-9/16	8-15/16	7-1/4	25-1/16	91 lbs.
30"	224-30-BT-0120	39	16-3/4	11-1/16	7-1/4	30-5/8	100 lbs.
36"	224-36-BT-0120	45	18	13-1/8	7-1/4	36-1/8	109 lbs.
42"	224-42-BT-0120	51	19-1/2	15-3/16	7-9/16	41-9/16	115 lbs.
48"	224-48-BT-0120	57	20-11/16	17-1/4	7-9/16	47-1/16	124 lbs.

Belt Width	Assembly Part Number	2204-45°-ST-PA Troughing Belt Training Idler Dimensions 4" dia. Rolls					Assembly Weight
		A	E	G	K	L	
18"	224-18-CT-0120	27	15-5/16	6-13/16	7-1/4	16-15/16	82 lbs.
20"	224-20-CT-0120	29	15-13/16	7-9/16	7-1/4	18-5/8	85 lbs.
24"	224-24-CT-0120	33	16-3/4	8-15/16	7-1/4	22	91 lbs.
30"	224-30-CT-0120	39	18-1/4	11-1/16	7-1/4	27	101 lbs.
36"	224-36-CT-0120	45	19-3/4	13-1/8	7-1/4	32-1/8	110 lbs.
42"	224-42-CT-0120	51	21-1/2	15-3/16	7-9/16	37-1/16	116 lbs.
48"	224-48-CT-0120	57	23	17-1/4	7-9/16	42-1/8	125 lbs.

Belt Width	Assembly Part Number	2205-20°-ST-PA Troughing Belt Training Idler Dimensions 5" dia. Rolls					Assembly Weight
		A	E	G	K	L	
18"	225-18-AT-0120	27	12-5/8	6-13/16	7-3/4	23	83 lbs.
20"	225-20-AT-0120	29	12-7/8	7-9/16	7-3/4	25-1/16	87 lbs.
24"	225-24-AT-0120	33	13-5/16	8-15/16	7-3/4	29	92 lbs.
30"	225-30-AT-0120	39	14-1/16	11-1/16	7-3/4	35-1/16	103 lbs.
36"	225-36-AT-0120	45	14-3/4	13-1/8	7-3/4	41-1/8	113 lbs.
42"	225-42-AT-0120	51	15-13/16	15-3/16	8-1/16	47-1/16	121 lbs.
48"	225-48-AT-0120	57	16-1/2	17-1/4	8-1/16	53-1/16	130 lbs.

Belt Width	Assembly Part Number	2205-35°-ST-PA Troughing Belt Training Idler Dimensions 5" dia. Rolls					Assembly Weight
		A	E	G	K	L	
18"	225-18-BT-0120	27	14-3/8	6-13/16	7-3/4	19-1/2	84 lbs.
20"	225-20-BT-0120	29	14-3/4	7-9/16	7-3/4	21-7/16	88 lbs.
24"	225-24-BT-0120	33	15-9/16	8-15/16	7-3/4	25-1/16	95 lbs.
30"	225-30-BT-0120	39	16-3/4	11-1/16	7-3/4	30-5/8	105 lbs.
36"	225-36-BT-0120	45	18	13-1/8	7-3/4	36-1/8	115 lbs.
42"	225-42-BT-0120	51	19-1/2	15-3/16	8-1/16	41-9/16	122 lbs.
48"	225-48-BT-0120	57	20-11/16	17-1/4	8-1/16	47-1/16	132 lbs.

Belt Width	Assembly Part Number	2205-45°-ST-PA Troughing Belt Training Idler Dimensions 5" dia. Rolls					Assembly Weight
		A	E	G	K	L	
18"	225-18-CT-0120	27	15-5/16	6-13/16	7-3/4	16-15/16	85 lbs.
20"	225-20-CT-0120	29	15-13/16	7-9/16	7-3/4	18-5/8	89 lbs.
24"	225-24-CT-0120	33	16-3/4	8-15/16	7-3/4	22	96 lbs.
30"	225-30-CT-0120	39	18-1/4	11-1/16	7-3/4	27	106 lbs.
36"	225-36-CT-0120	45	19-3/4	13-1/8	7-3/4	32-1/8	116 lbs.
42"	225-42-CT-0120	51	21-1/2	15-3/16	8-1/16	37-1/16	123 lbs.
48"	225-48-CT-0120	57	23	17-1/4	8-1/16	42-1/8	132 lbs.



**STEPHENS-ADAMSON CONVEYOR COMPONENTS**

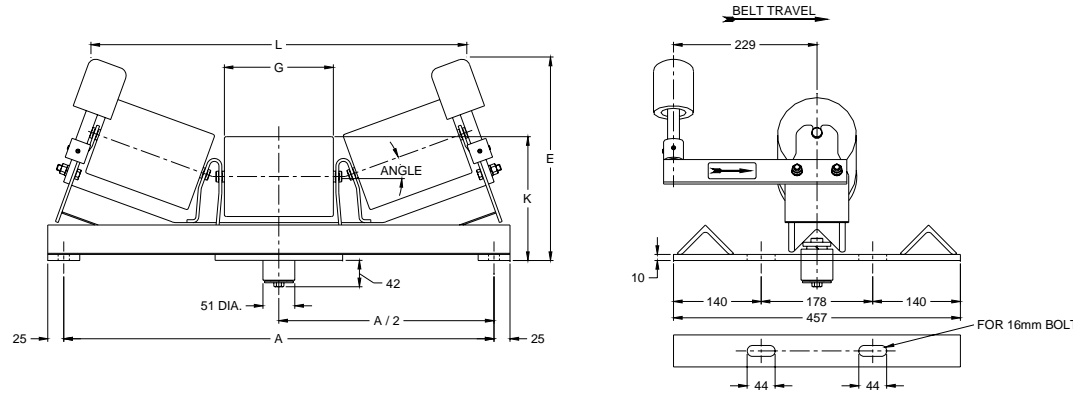
www.Stephens-Adamson.com

CANADA  
Telephone: 1-800-510-3802  
Fax: 1-613-967-8128

U.S.A.  
Telephone: 1-800-638-6788  
Fax: 1-800-866-1438

INTERNATIONAL  
Telephone: 1-613-962-3411  
Fax: 1-613-967-8128

DS-E-IDL-00-059 A



'Dimensions in Millimeters'

Belt Width	Assembly Part Number	2204-20°-ST-PA Troughing Belt Training Idler Dimensions 102 mm dia. Rolls					Assembly Weight
		A	E	G	K	L	
457 mm	224-18-AT-0120	686	321	173	184	584	36 kg.
508 mm	224-20-AT-0120	737	327	192	184	637	38 kg.
610 mm	224-24-AT-0120	838	338	227	184	737	40 kg.
762 mm	224-30-AT-0120	991	357	279	184	891	44 kg.
914 mm	224-36-AT-0120	1143	375	333	184	1045	49 kg.
1067 mm	224-42-AT-0120	1295	402	386	192	1195	52 kg.
1219 mm	224-48-AT-0120	1448	419	438	192	1348	56 kg.

Belt Width	Assembly Part Number	2204-35°-ST-PA Troughing Belt Training Idler Dimensions 102 mm dia. Rolls					Assembly Weight
		A	E	G	K	L	
457 mm	224-18-BT-0120	686	365	173	184	495	37 kg.
508 mm	224-20-BT-0120	737	375	192	184	545	38 kg.
610 mm	224-24-BT-0120	838	395	227	184	637	41 kg.
762 mm	224-30-BT-0120	991	425	279	184	778	45 kg.
914 mm	224-36-BT-0120	1143	457	333	184	918	49 kg.
1067 mm	224-42-BT-0120	1295	495	386	192	1056	52 kg.
1219 mm	224-48-BT-0120	1448	525	438	192	1195	56 kg.

Belt Width	Assembly Part Number	2204-45°-ST-PA Troughing Belt Training Idler Dimensions 102 mm dia. Rolls					Assembly Weight
		A	E	G	K	L	
457 mm	224-18-CT-0120	686	389	173	184	430	37 kg.
508 mm	224-20-CT-0120	737	402	192	184	473	39 kg.
610 mm	224-24-CT-0120	838	425	227	184	559	41 kg.
762 mm	224-30-CT-0120	991	464	279	184	686	46 kg.
914 mm	224-36-CT-0120	1143	502	333	184	816	50 kg.
1067 mm	224-42-CT-0120	1295	546	386	192	941	53 kg.
1219 mm	224-48-CT-0120	1448	584	438	192	1070	57 kg.

Belt Width	Assembly Part Number	2205-20°-ST-PA Troughing Belt Training Idler Dimensions 127 mm dia. Rolls					Assembly Weight
		A	E	G	K	L	
457 mm	225-18-AT-0120	686	321	173	197	584	38 kg.
508 mm	225-20-AT-0120	737	327	192	197	637	39 kg.
610 mm	225-24-AT-0120	838	338	227	197	737	42 kg.
762 mm	225-30-AT-0120	991	357	279	197	891	47 kg.
914 mm	225-36-AT-0120	1143	375	333	197	1045	51 kg.
1067 mm	225-42-AT-0120	1295	402	386	205	1195	55 kg.
1219 mm	225-48-AT-0120	1448	419	438	205	1348	59 kg.

Belt Width	Assembly Part Number	2205-35°-ST-PA Troughing Belt Training Idler Dimensions 127 mm dia. Rolls					Assembly Weight
		A	E	G	K	L	
457 mm	225-18-BT-0120	686	365	173	197	495	38 kg.
508 mm	225-20-BT-0120	737	375	192	197	545	40 kg.
610 mm	225-24-BT-0120	838	395	227	197	637	43 kg.
762 mm	225-30-BT-0120	991	425	279	197	778	48 kg.
914 mm	225-36-BT-0120	1143	457	333	197	918	52 kg.
1067 mm	225-42-BT-0120	1295	495	386	205	1056	55 kg.
1219 mm	225-48-BT-0120	1448	525	438	205	1195	60 kg.

Belt Width	Assembly Part Number	2205-45°-ST-PA Troughing Belt Training Idler Dimensions 127 mm dia. Rolls					Assembly Weight
		A	E	G	K	L	
457 mm	225-18-CT-0120	686	389	173	197	430	39 kg.
508 mm	225-20-CT-0120	737	402	192	197	473	40 kg.
610 mm	225-24-CT-0120	838	425	227	197	559	44 kg.
762 mm	225-30-CT-0120	991	464	279	197	686	48 kg.
914 mm	225-36-CT-0120	1143	502	333	197	816	53 kg.
1067 mm	225-42-CT-0120	1295	546	386	205	941	56 kg.
1219 mm	225-48-CT-0120	1448	584	438	205	1070	60 kg.



**STEPHENS-ADAMSON CONVEYOR COMPONENTS**

www.Stephens-Adamson.com

CANADA  
Telephone: 1-800-510-3802  
Fax: 1-613-967-8128

U.S.A.  
Telephone: 1-800-638-6788  
Fax: 1-800-866-1438

INTERNATIONAL  
Telephone: 1-613-962-3411  
Fax: 1-613-967-8128

DS-E-IDL-00-059 A