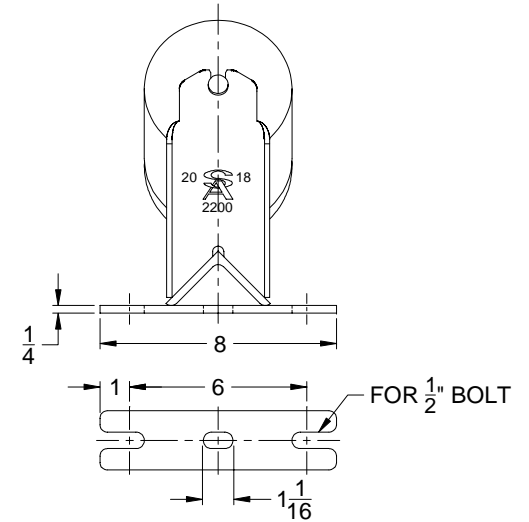
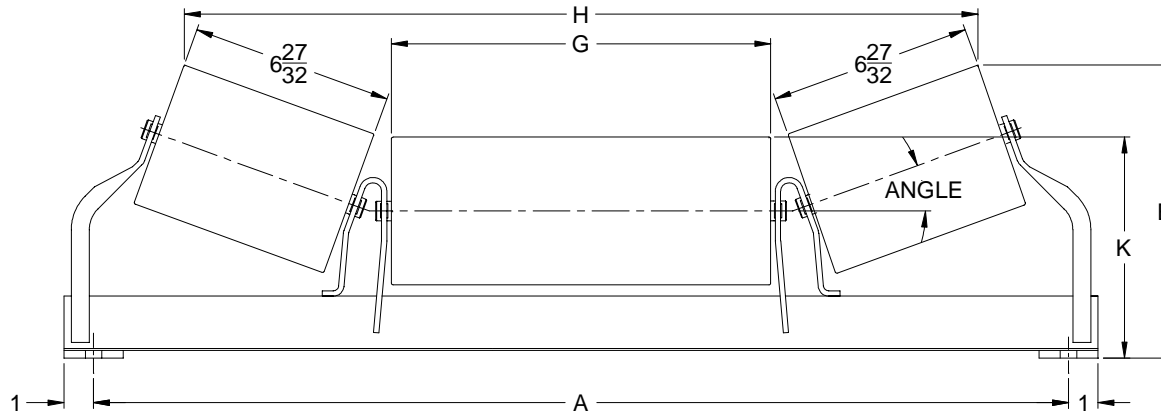




STEPHENS-ADAMSON CONVEYING

Note: Dimensions for REFERENCE ONLY and are SUBJECT TO CHANGE WITHOUT NOTICE.
Contact Stephens-Adamson Conveying for Certified Dimensions Prints.

CEMA "B" 2200 Series Picking Table Idlers - Sealed for Life



'Dimensions in Inches'

Belt Width	Part Number	2204-20°-Picking Table Idler Dimensions 4" dia. Rolls					Weight
		A	E	G	H	K	
20"	224-20-A0-P120	29	9-7/16	8-15/16	23-5/16	7	34 lbs.
24"	224-24-A0-P120	33	9-7/16	13-1/8	27-1/2	7	37 lbs.
30"	224-30-A0-P120	39	9-7/16	18-13/16	33-3/16	7	42 lbs.
36"	224-36-A0-P120	45	9-7/16	24-13/16	39-3/16	7	47 lbs.
42"	224-42-A0-P120	51	9-3/4	30-13/16	45-3/16	7-5/16	51 lbs.
48"	224-48-A0-P120	57	9-3/4	36-13/16	51-3/16	7-5/16	55 lbs.

Belt Width	Part Number	2205-20°-Picking Table Idler Dimensions 5" dia. Rolls					Weight
		A	E	G	H	K	
20"	225-20-A0-P120	29	9-15/16	8-15/16	22-15/16	7-1/2	37 lbs.
24"	225-24-A0-P120	33	9-15/16	13-1/8	27-1/8	7-1/2	41 lbs.
30"	225-30-A0-P120	39	9-15/16	18-13/16	32-7/8	7-1/2	49 lbs.
36"	225-36-A0-P120	45	9-15/16	24-13/16	38-7/8	7-1/2	55 lbs.
42"	225-42-A0-P120	51	10-1/4	30-13/16	44-7/8	7-13/16	60 lbs.
48"	225-48-A0-P120	57	10-1/4	36-13/16	50-7/8	7-13/16	66 lbs.

STEPHENS-ADAMSON CONVEYING

www.Stephens-Adamson.com

CANADA
Telephone: 1-800-510-3802
Fax: 1-613-967-8128

U.S.A.
Telephone: 1-800-638-6788
Fax: 1-800-866-1438

INTERNATIONAL
Telephone: 1-613-962-3411
Fax: 1-613-967-8128

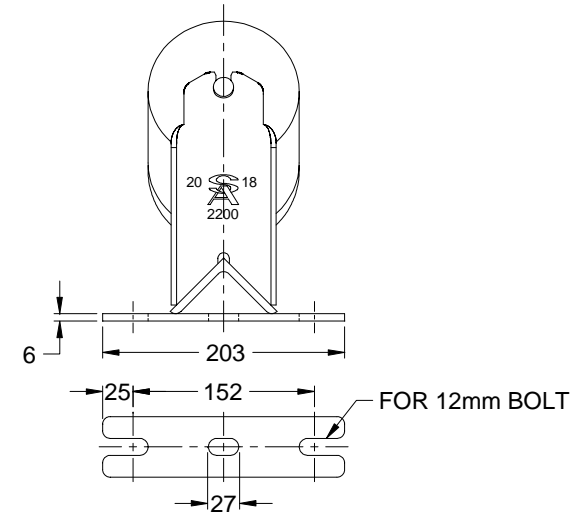
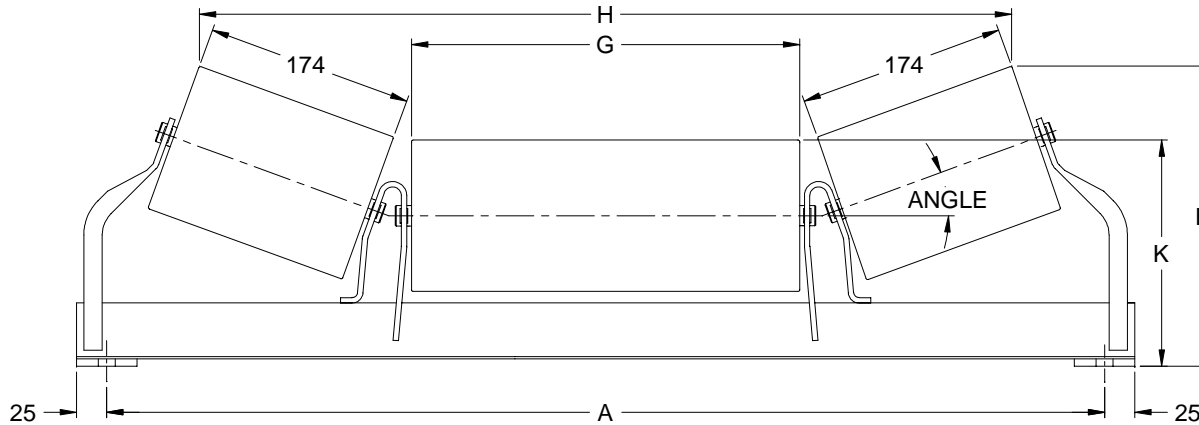
DS-E-IDL-00-060



STEPHENS-ADAMSON CONVEYING

Note: Dimensions for REFERENCE ONLY and are SUBJECT TO CHANGE WITHOUT NOTICE.
Contact Stephens-Adamson Conveying for Certified Dimensions Prints.

CEMA "B" 2200 Series Picking Table Idlers - Sealed for Life



'Dimensions in Millimeters'

Belt Width	Part Number	2204-20°-Picking Table Idler Dimensions 102 mm dia. Rolls					Weight
		A	E	G	H	K	
508 mm	224-20-A0-P120	737	240	227	592	178	15 kg.
610 mm	224-24-A0-P120	838	240	333	699	178	17 kg.
762 mm	224-30-A0-P120	991	240	478	843	178	19 kg.
914 mm	224-36-A0-P120	1143	240	630	995	178	21 kg.
1067 mm	224-42-A0-P120	1295	248	783	1148	186	23 kg.
1219 mm	224-48-A0-P120	1448	248	935	1300	186	25 kg.

Belt Width	Part Number	2205-20°-Picking Table Idler Dimensions 127 mm dia. Rolls					Weight
		A	E	G	H	K	
508 mm	225-20-A0-P120	737	252	227	583	191	17 kg.
610 mm	225-24-A0-P120	838	252	333	689	191	19 kg.
762 mm	225-30-A0-P120	991	252	478	835	191	22 kg.
914 mm	225-36-A0-P120	1143	252	630	987	191	25 kg.
1067 mm	225-42-A0-P120	1295	260	783	1140	198	27 kg.
1219 mm	225-48-A0-P120	1448	260	935	1292	198	30 kg.

STEPHENS-ADAMSON CONVEYING

www.Stephens-Adamson.com

CANADA
Telephone: 1-800-510-3802
Fax: 1-613-967-8128

U.S.A.
Telephone: 1-800-638-6788
Fax: 1-800-866-1438

INTERNATIONAL
Telephone: 1-613-962-3411
Fax: 1-613-967-8128

DS-E-IDL-00-060