

'Dimensions in Inches'

Belt Width	Assembly Part Number	R711-4195-20°-Impact Troughing Idler Dimensions 5-3/16" dia. Rolls					Assembly Weight
		A	E	G	H	K	
18"	405-18-AM-0200	27	11	6-13/16	19	8-11/16	45 lbs.
24"	405-24-AM-0200	33	11-11/16	8-15/16	25	8-11/16	53 lbs.
30"	405-30-AM-0200	39	12-7/16	11	31-1/16	8-11/16	61 lbs.
36"	405-36-AM-0200	45	13-1/8	13-1/8	37-1/16	8-11/16	71 lbs.
42"	405-42-AM-0200	51	13-13/16	15-3/16	43	8-11/16	80 lbs.
48"	405-48-AM-0200	57	14-9/16	17-1/4	49-1/16	8-11/16	88 lbs.
54"	405-54-AM-0200	63	15-9/16	19-5/16	55	9	104 lbs.
60"	405-60-AM-0200	69	16-5/16	21-7/16	61	9	112 lbs.

Belt Width	Assembly Part Number	R711-4196-20°-Impact Troughing Idler Dimensions 6-3/16" dia. Rolls					Assembly Weight
		A	E	G	H	K	
18"	406-18-AM-0200	27	11-7/16	6-13/16	18-11/16	9-3/16	49 lbs.
24"	406-24-AM-0200	33	12-3/16	8-15/16	24-11/16	9-3/16	59 lbs.
30"	406-30-AM-0200	39	12-7/8	11	30-11/16	9-3/16	68 lbs.
36"	406-36-AM-0200	45	13-5/8	13-1/8	36-3/4	9-3/16	80 lbs.
42"	406-42-AM-0200	51	14-5/16	15-3/16	42-11/16	9-3/16	90 lbs.
48"	406-48-AM-0200	57	15	17-1/4	48-11/16	9-3/16	100 lbs.
54"	406-54-AM-0200	63	16-1/16	19-5/16	54-5/8	9-1/2	117 lbs.
60"	406-60-AM-0200	69	16-3/4	21-7/16	60-11/16	9-1/2	127 lbs.

Belt Width	Assembly Part Number	R711-4195-35°-Impact Troughing Idler Dimensions 5-3/16" dia. Rolls					Assembly Weight
		A	E	G	H	K	
18"	405-18-BM-0200	27	12-1/2	6-13/16	17-1/2	8-11/16	48 lbs.
24"	405-24-BM-0200	33	13-11/16	8-15/16	23-1/16	8-11/16	56 lbs.
30"	405-30-BM-0200	39	14-7/8	11	28-9/16	8-11/16	64 lbs.
36"	405-36-BM-0200	45	16-1/16	13-1/8	34	8-11/16	75 lbs.
42"	405-42-BM-0200	51	17-1/4	15-3/16	39-1/2	8-11/16	84 lbs.
48"	405-48-BM-0200	57	18-1/2	17-1/4	45-1/16	8-11/16	92 lbs.
54"	405-54-BM-0200	63	20	19-5/16	50-1/2	9	109 lbs.
60"	405-60-BM-0200	69	21-3/16	21-7/16	56	9	117 lbs.

Belt Width	Assembly Part Number	R711-4196-35°-Impact Troughing Idler Dimensions 6-3/16" dia. Rolls					Assembly Weight
		A	E	G	H	K	
18"	406-18-BM-0200	27	12-7/8	6-13/16	16-15/16	9-3/16	52 lbs.
24"	406-24-BM-0200	33	14-1/8	8-15/16	22-1/2	9-3/16	63 lbs.
30"	406-30-BM-0200	39	15-5/16	11	28	9-3/16	72 lbs.
36"	406-36-BM-0200	45	16-1/2	13-1/8	33-7/16	9-3/16	84 lbs.
42"	406-42-BM-0200	51	17-11/16	15-3/16	38-15/16	9-3/16	94 lbs.
48"	406-48-BM-0200	57	18-7/8	17-1/4	44-1/2	9-3/16	104 lbs.
54"	406-54-BM-0200	63	20-3/8	19-5/16	49-15/16	9-1/2	122 lbs.
60"	406-60-BM-0200	69	21-9/16	21-7/16	55-7/16	9-1/2	132 lbs.

Belt Width	Assembly Part Number	R711-4195-45°-Impact Troughing Idler Dimensions 5-3/16" dia. Rolls					Assembly Weight
		A	E	G	H	K	
18"	405-18-CM-0200	27	13-3/8	6-13/16	16-1/8	8-11/16	49 lbs.
24"	405-24-CM-0200	33	14-13/16	8-15/16	21-3/16	8-11/16	57 lbs.
30"	405-30-CM-0200	39	16-5/16	11	26-1/4	8-11/16	66 lbs.
36"	405-36-CM-0200	45	17-13/16	13-1/8	31-1/4	8-11/16	77 lbs.
42"	405-42-CM-0200	51	19-1/4	15-3/16	36-1/4	8-11/16	85 lbs.
48"	405-48-CM-0200	57	20-3/4	17-1/4	41-5/16	8-11/16	94 lbs.
54"	405-54-CM-0200	63	22-1/2	19-5/16	46-5/16	9	111 lbs.
60"	405-60-CM-0200	69	24	21-7/16	51-5/16	9	120 lbs.

Belt Width	Assembly Part Number	R711-4196-45°-Impact Troughing Idler Dimensions 6-3/16" dia. Rolls					Assembly Weight
		A	E	G	H	K	
18"	406-18-CM-0200	27	13-13/16	6-13/16	15-5/8	9-3/16	53 lbs.
24"	406-24-CM-0200	33	15-1/4	8-15/16	20-5/8	9-3/16	64 lbs.
30"	406-30-CM-0200	39	16-3/4	11	25-11/16	9-3/16	73 lbs.
36"	406-36-CM-0200	45	18-1/4	13-1/8	30-3/4	9-3/16	86 lbs.
42"	406-42-CM-0200	51	19-11/16	15-3/16	35-3/4	9-3/16	96 lbs.
48"	406-48-CM-0200	57	21-3/16	17-1/4	40-13/16	9-3/16	106 lbs.
54"	406-54-CM-0200	63	22-15/16	19-5/16	45-13/16	9-1/2	124 lbs.
60"	406-60-CM-0200	69	24-7/16	21-7/16	50-13/16	9-1/2	135 lbs.

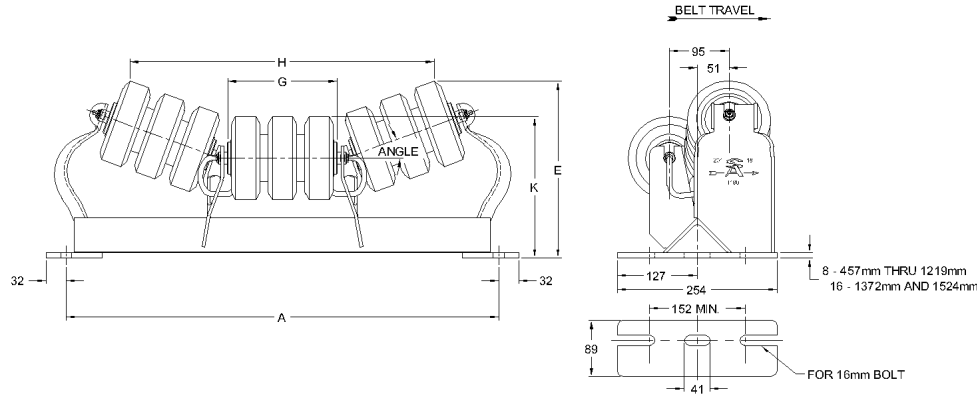


STEPHENS-ADAMSON CONVEYOR COMPONENTS
www.Stephens-Adamson.com

CANADA
Telephone: 1-800-510-3802
Fax: 1-613-967-8128

U.S.A.
Telephone: 1-800-638-6788
Fax: 1-800-866-1438

INTERNATIONAL
Telephone: 1-613-962-3411
Fax: 1-613-967-8128



'Dimensions in Millimeters'

Belt Width	Assembly Part Number	R711-4195-20°-Impact Troughing Idler Dimensions 132 mm dia. Rolls					Assembly Weight
		A	E	G	H	K	
457 mm	405-18-AM-0200	686	279	173	483	221	20 kg.
610 mm	405-24-AM-0200	838	297	227	635	221	24 kg.
762 mm	405-30-AM-0200	991	316	279	789	221	28 kg.
914 mm	405-36-AM-0200	1143	333	333	941	221	32 kg.
1067 mm	405-42-AM-0200	1295	351	386	1092	221	36 kg.
1219 mm	405-48-AM-0200	1448	370	438	1246	221	40 kg.
1372 mm	405-54-AM-0200	1600	395	491	1397	229	47 kg.
1524 mm	405-60-AM-0200	1753	414	545	1549	229	51 kg.

Belt Width	Assembly Part Number	R711-4196-20°-Impact Troughing Idler Dimensions 157 mm dia. Rolls					Assembly Weight
		A	E	G	H	K	
457 mm	406-18-AM-0200	686	291	173	475	233	22 kg.
610 mm	406-24-AM-0200	838	310	227	627	233	27 kg.
762 mm	406-30-AM-0200	991	327	279	779	233	31 kg.
914 mm	406-36-AM-0200	1143	346	333	933	233	36 kg.
1067 mm	406-42-AM-0200	1295	364	386	1084	233	41 kg.
1219 mm	406-48-AM-0200	1448	381	438	1237	233	45 kg.
1372 mm	406-54-AM-0200	1600	408	491	1387	241	53 kg.
1524 mm	406-60-AM-0200	1753	425	545	1541	241	58 kg.

Belt Width	Assembly Part Number	R711-4195-35°-Impact Troughing Idler Dimensions 132 mm dia. Rolls					Assembly Weight
		A	E	G	H	K	
457 mm	405-18-BM-0200	686	318	173	445	221	22 kg.
610 mm	405-24-BM-0200	838	348	227	586	221	25 kg.
762 mm	405-30-BM-0200	991	378	279	725	221	29 kg.
914 mm	405-36-BM-0200	1143	408	333	864	221	34 kg.
1067 mm	405-42-BM-0200	1295	438	386	1003	221	38 kg.
1219 mm	405-48-BM-0200	1448	470	438	1145	221	42 kg.
1372 mm	405-54-BM-0200	1600	508	491	1283	229	49 kg.
1524 mm	405-60-BM-0200	1753	538	545	1422	229	53 kg.

Belt Width	Assembly Part Number	R711-4196-35°-Impact Troughing Idler Dimensions 157 mm dia. Rolls					Assembly Weight
		A	E	G	H	K	
457 mm	406-18-BM-0200	686	327	173	430	233	24 kg.
610 mm	406-24-BM-0200	838	359	227	572	233	29 kg.
762 mm	406-30-BM-0200	991	389	279	711	233	33 kg.
914 mm	406-36-BM-0200	1143	419	333	849	233	38 kg.
1067 mm	406-42-BM-0200	1295	449	386	989	233	43 kg.
1219 mm	406-48-BM-0200	1448	479	438	1130	233	47 kg.
1372 mm	406-54-BM-0200	1600	518	491	1268	241	55 kg.
1524 mm	406-60-BM-0200	1753	548	545	1408	241	60 kg.

Belt Width	Assembly Part Number	R711-4195-45°-Impact Troughing Idler Dimensions 132 mm dia. Rolls					Assembly Weight
		A	E	G	H	K	
457 mm	405-18-CM-0200	686	340	173	410	221	22 kg.
610 mm	405-24-CM-0200	838	376	227	538	221	26 kg.
762 mm	405-30-CM-0200	991	414	279	667	221	30 kg.
914 mm	405-36-CM-0200	1143	452	333	794	221	35 kg.
1067 mm	405-42-CM-0200	1295	489	386	921	221	39 kg.
1219 mm	405-48-CM-0200	1448	527	438	1049	221	43 kg.
1372 mm	405-54-CM-0200	1600	572	491	1176	229	50 kg.
1524 mm	405-60-CM-0200	1753	610	545	1303	229	54 kg.

Belt Width	Assembly Part Number	R711-4196-45°-Impact Troughing Idler Dimensions 157 mm dia. Rolls					Assembly Weight
		A	E	G	H	K	
457 mm	406-18-CM-0200	686	351	173	397	233	24 kg.
610 mm	406-24-CM-0200	838	387	227	524	233	29 kg.
762 mm	406-30-CM-0200	991	425	279	652	233	33 kg.
914 mm	406-36-CM-0200	1143	464	333	781	233	39 kg.
1067 mm	406-42-CM-0200	1295	500	386	908	233	44 kg.
1219 mm	406-48-CM-0200	1448	538	438	1037	233	48 kg.
1372 mm	406-54-CM-0200	1600	583	491	1164	241	56 kg.
1524 mm	406-60-CM-0200	1753	621	545	1291	241	61 kg.



STEPHENS-ADAMSON CONVEYOR COMPONENTS
www.Stephens-Adamson.com

CANADA
Telephone: 1-800-510-3802
Fax: 1-613-967-8128

U.S.A.
Telephone: 1-800-638-6788
Fax: 1-800-866-1438

INTERNATIONAL
Telephone: 1-613-962-3411
Fax: 1-613-967-8128