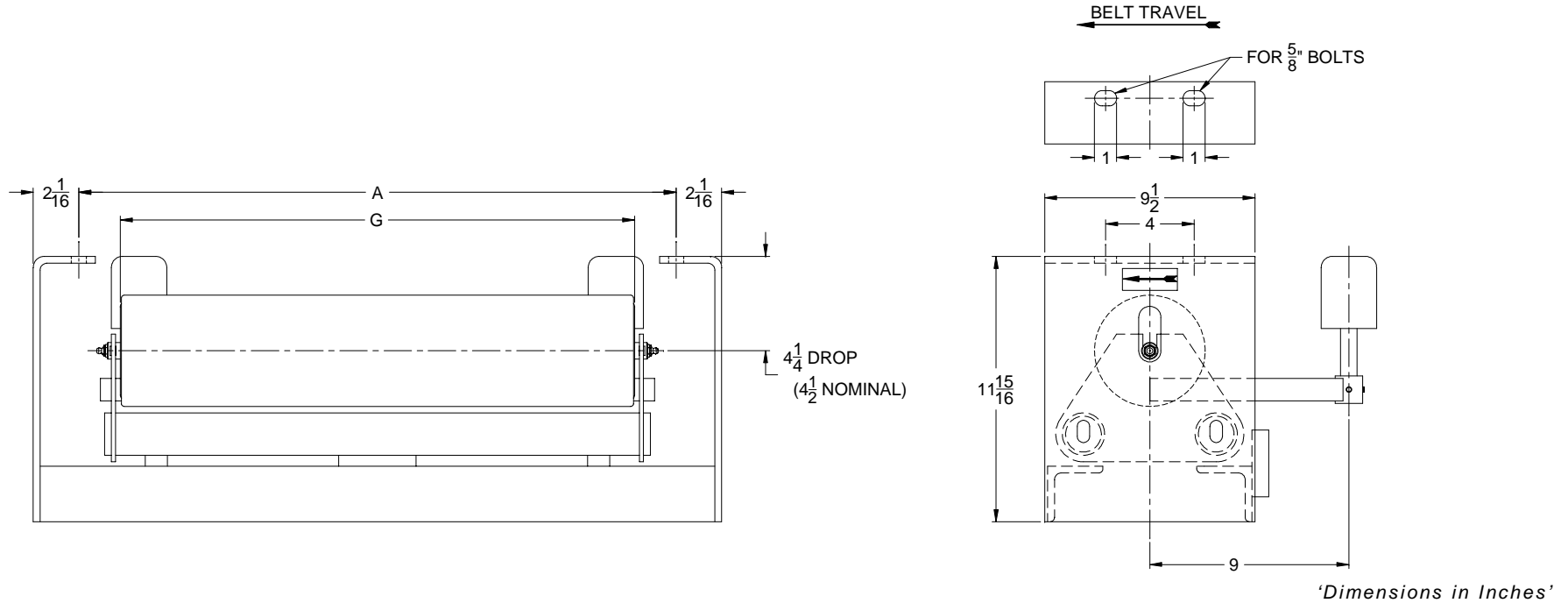




STEPHENS-ADAMSON CONVEYING

Note: Dimensions for REFERENCE ONLY and are SUBJECT TO CHANGE WITHOUT NOTICE.
Contact Stephens-Adamson Conveying for Certified Dimensions Prints.

CEMA "C" 4190 Series 4-1/2" ST-PA Return Idlers - Regreasable



Belt Width	Roller Assembly Part Number	4195- 4-1/2-ST-PA Return Idler Dimensions 5" dia. Rolls		Assembly Weight
		A	G	
18"	405-18-64-0200	27	23-1/4	102 lbs.
24"	405-24-64-0200	33	29-1/4	114 lbs.
30"	405-30-64-0200	39	35-1/4	126 lbs.
36"	405-36-64-0200	45	41-1/4	146 lbs.
42"	405-42-64-0200	51	47-1/4	158 lbs.
48"	405-48-64-0200	57	53-1/4	170 lbs.
54"	405-54-64-0200	63	59-1/4	186 lbs.
60"	405-60-64-0200	69	65-1/4	199 lbs.

Belt Width	Roller Assembly Part Number	4196- 4-1/2-ST-PA Return Idler Dimensions 6" dia. Rolls		Assembly Weight
		A	G	
18"	406-18-64-0200	27	23-1/4	111 lbs.
24"	406-24-64-0200	33	29-1/4	124 lbs.
30"	406-30-64-0200	39	35-1/4	138 lbs.
36"	406-36-64-0200	45	41-1/4	160 lbs.
42"	406-42-64-0200	51	47-1/4	174 lbs.
48"	406-48-64-0200	57	53-1/4	188 lbs.
54"	406-54-64-0200	63	59-1/4	206 lbs.
60"	406-60-64-0200	69	65-1/4	220 lbs.

STEPHENS-ADAMSON CONVEYING

www.Stephens-Adamson.com

CANADA
Telephone: 1-800-510-3802
Fax: 1-613-967-8128

U.S.A.
Telephone: 1-800-638-6788
Fax: 1-800-866-1438

INTERNATIONAL
Telephone: 1-613-962-3411
Fax: 1-613-967-8128

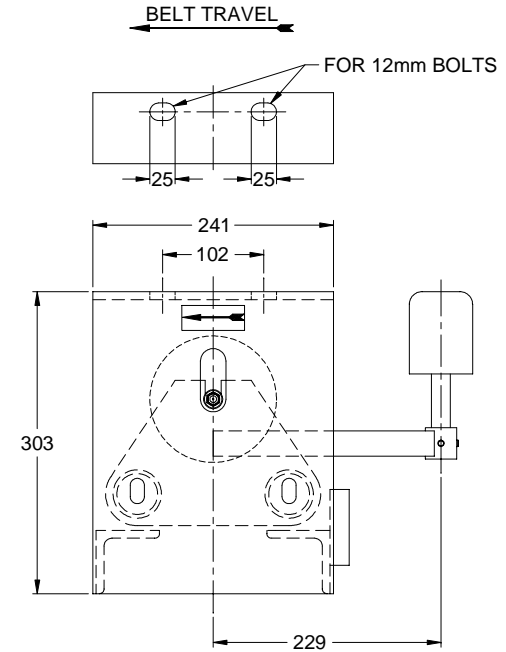
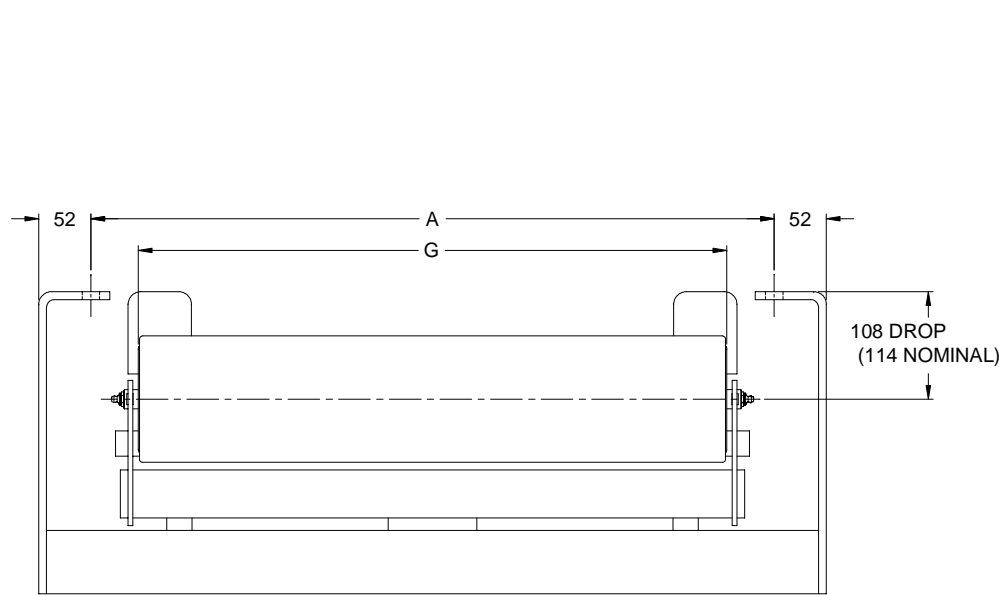
DS-E-IDL-00-068



STEPHENS-ADAMSON CONVEYING

Note: Dimensions for REFERENCE ONLY and are SUBJECT TO CHANGE WITHOUT NOTICE.
Contact Stephens-Adamson Conveying for Certified Dimensions Prints.

CEMA "C" 4190 Series 114 mm ST-PA Return Idlers - Regreasable



'Dimensions in Millimeters'

Belt Width	Roller Assembly Part Number	4195-114 mm-ST-PA Return Idler Dimensions 127 mm dia. Rolls		Assembly Weight
		A	G	
457 mm	405-18-64-0200	686	591	46 kg.
610 mm	405-24-64-0200	838	743	52 kg.
762 mm	405-30-64-0200	991	895	57 kg.
914 mm	405-36-64-0200	1143	1048	66 kg.
1067 mm	405-42-64-0200	1295	1200	72 kg.
1219 mm	405-48-64-0200	1448	1353	77 kg.
1372 mm	405-54-64-0200	1600	1505	84 kg.
1524 mm	405-60-64-0200	1753	1657	90 kg.

Belt Width	Roller Assembly Part Number	4196-114 mm-ST-PA Return Idler Dimensions 152 mm dia. Rolls		Assembly Weight
		A	G	
457 mm	406-18-64-0200	686	591	50 kg.
610 mm	406-24-64-0200	838	743	56 kg.
762 mm	406-30-64-0200	991	895	63 kg.
914 mm	406-36-64-0200	1143	1048	73 kg.
1067 mm	406-42-64-0200	1295	1200	79 kg.
1219 mm	406-48-64-0200	1448	1353	85 kg.
1372 mm	406-54-64-0200	1600	1505	93 kg.
1524 mm	406-60-64-0200	1753	1657	100 kg.

STEPHENS-ADAMSON CONVEYING

www.Stephens-Adamson.com

CANADA
Telephone: 1-800-510-3802
Fax: 1-613-967-8128

U.S.A.
Telephone: 1-800-638-6788
Fax: 1-800-866-1438

INTERNATIONAL
Telephone: 1-613-962-3411
Fax: 1-613-967-8128

DS-E-IDL-00-068