

'Dimensions in Inches'

Belt Width	Assembly Part Number	R710-4195-4-1/2-ST-PA Rubber Disc Return Idler Dimensions 5" dia. Rolls		Assembly Weight
		A	G	
18"	405-18-65-0200	27	23-1/4	105 lbs.
24"	405-24-65-0200	33	29-1/4	117 lbs.
30"	405-30-65-0200	39	35-1/4	128 lbs.
36"	405-36-65-0200	45	41-1/4	147 lbs.
42"	405-42-65-0200	51	47-1/4	158 lbs.
48"	405-48-65-0200	57	53-1/4	170 lbs.
54"	405-54-65-0200	63	59-1/4	186 lbs.
60"	405-60-65-0200	69	65-1/4	199 lbs.

Belt Width	Assembly Part Number	R710-4196-4-1/2-ST-PA Rubber Disc Return Idler Dimensions 6" dia. Rolls		Assembly Weight
		A	G	
18"	406-18-65-0200	27	23-1/4	111 lbs.
24"	406-24-65-0200	33	29-1/4	122 lbs.
30"	406-30-65-0200	39	35-1/4	134 lbs.
36"	406-36-65-0200	45	41-1/4	153 lbs.
42"	406-42-65-0200	51	47-1/4	165 lbs.
48"	406-48-65-0200	57	53-1/4	177 lbs.
54"	406-54-65-0200	63	59-1/4	193 lbs.
60"	406-60-65-0200	69	65-1/4	206 lbs.

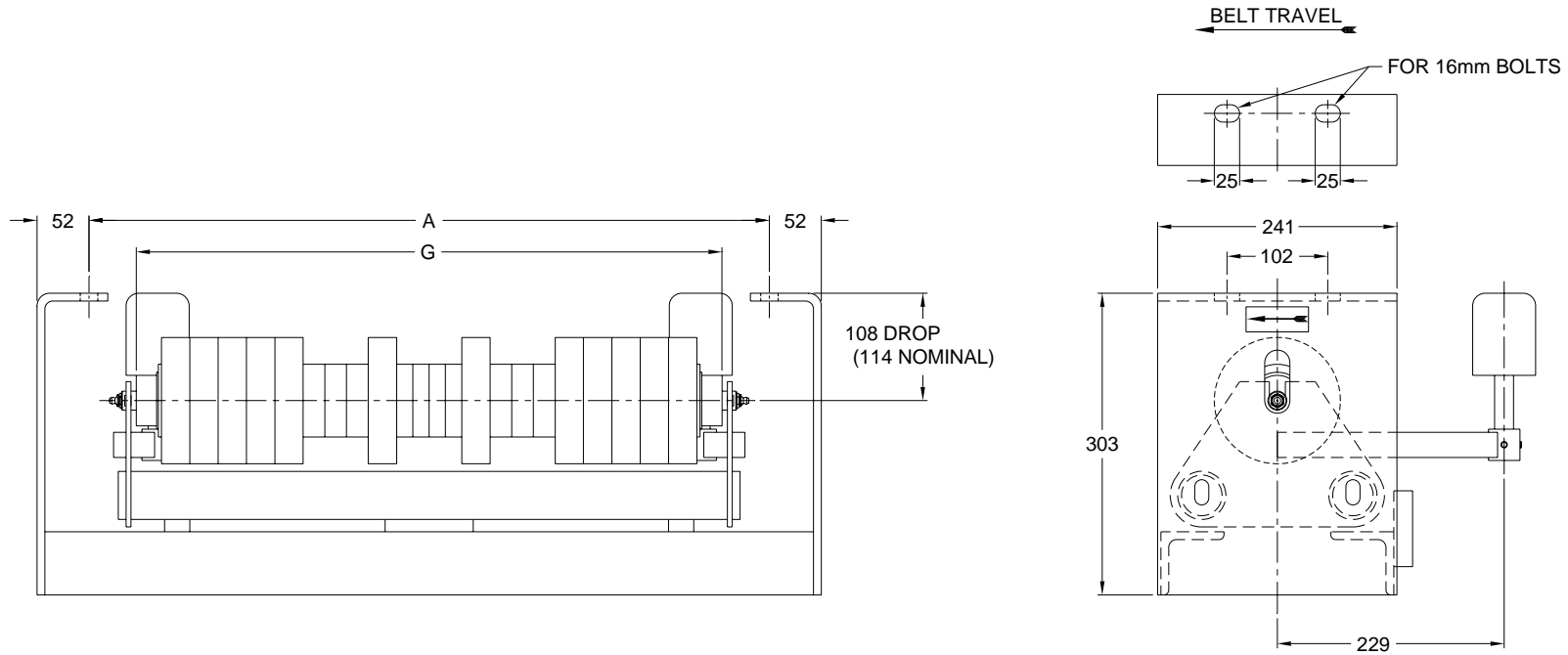


STEPHENS-ADAMSON CONVEYOR COMPONENTS
www.Stephens-Adams.com

CANADA
Telephone: 1-800-510-3802
Fax: 1-613-967-8128

U.S.A.
Telephone: 1-800-638-6788
Fax: 1-800-866-1438

INTERNATIONAL
Telephone: 1-613-962-3411
Fax: 1-613-967-8128



'Dimensions in Millimeters'

Belt Width	Assembly Part Number	R710-4195-114 mm-ST-PA Rubber Disc Return Idler Dimensions 127 mm dia. Rolls		Assembly Weight
		A	G	
457 mm	405-18-65-0200	686	591	48 kg.
610 mm	405-24-65-0200	838	743	53 kg.
762 mm	405-30-65-0200	991	895	58 kg.
914 mm	405-36-65-0200	1143	1048	67 kg.
1067 mm	405-42-65-0200	1295	1200	72 kg.
1219 mm	405-48-65-0200	1448	1353	77 kg.
1372 mm	405-54-65-0200	1600	1505	84 kg.
1524 mm	405-60-65-0200	1753	1657	90 kg.

Belt Width	Assembly Part Number	R710-4196-114 mm-ST-PA Rubber Disc Return Idler Dimensions 152 mm dia. Rolls		Assembly Weight
		A	G	
457 mm	406-18-65-0200	686	591	50 kg.
610 mm	406-24-65-0200	838	743	55 kg.
762 mm	406-30-65-0200	991	895	61 kg.
914 mm	406-36-65-0200	1143	1048	69 kg.
1067 mm	406-42-65-0200	1295	1200	75 kg.
1219 mm	406-48-65-0200	1448	1353	80 kg.
1372 mm	406-54-65-0200	1600	1505	88 kg.
1524 mm	406-60-65-0200	1753	1657	93 kg.



STEPHENS-ADAMSON CONVEYOR COMPONENTS
www.Stephens-Adamson.com

CANADA
Telephone: 1-800-510-3802
Fax: 1-613-967-8128

U.S.A.
Telephone: 1-800-638-6788
Fax: 1-800-866-1438

INTERNATIONAL
Telephone: 1-613-962-3411
Fax: 1-613-967-8128