

'Dimensions in Inches'

Belt Width	Assembly Part Number	4195-10°-V Return Idler Dimensions 5" dia. Rolls				Weight
		A	G	K	R	
18"	405-18-G3-0200	27	11	6-1/4	14-3/8	50 lbs.
24"	405-24-G3-0200	33	13-1/8	6-3/4	14-7/8	55 lbs.
30"	405-30-G3-0200	39	17-1/4	7-1/2	15-5/8	62 lbs.
36"	405-36-G3-0200	45	19-5/16	7-7/8	16-1/8	72 lbs.
42"	405-42-G3-0200	51	23-1/4	8-1/2	16-3/4	79 lbs.
48"	405-48-G3-0200	57	26-1/4	9	17-1/2	95 lbs.
54"	405-54-G3-0200	63	29-1/4	9-5/8	18-1/4	101 lbs.
60"	405-60-G3-0200	69	32-1/4	10-1/8	19-1/8	114 lbs.

Belt Width	Assembly Part Number	4196-10°-V Return Idler Dimensions 6" dia. Rolls				Weight
		A	G	K	R	
18"	406-18-G3-0200	27	11	5-3/4	14-3/8	58 lbs.
24"	406-24-G3-0200	33	13-1/8	6-1/4	14-7/8	64 lbs.
30"	406-30-G3-0200	39	17-1/4	7	15-5/8	74 lbs.
36"	406-36-G3-0200	45	19-5/16	7-3/8	16-1/8	85 lbs.
42"	406-42-G3-0200	51	23-1/4	8	16-3/4	94 lbs.
48"	406-48-G3-0200	57	26-1/4	8-1/2	17-1/2	107 lbs.
54"	406-54-G3-0200	63	29-1/4	9-1/8	18-1/4	116 lbs.
60"	406-60-G3-0200	69	32-1/4	9-5/8	19-1/8	129 lbs.



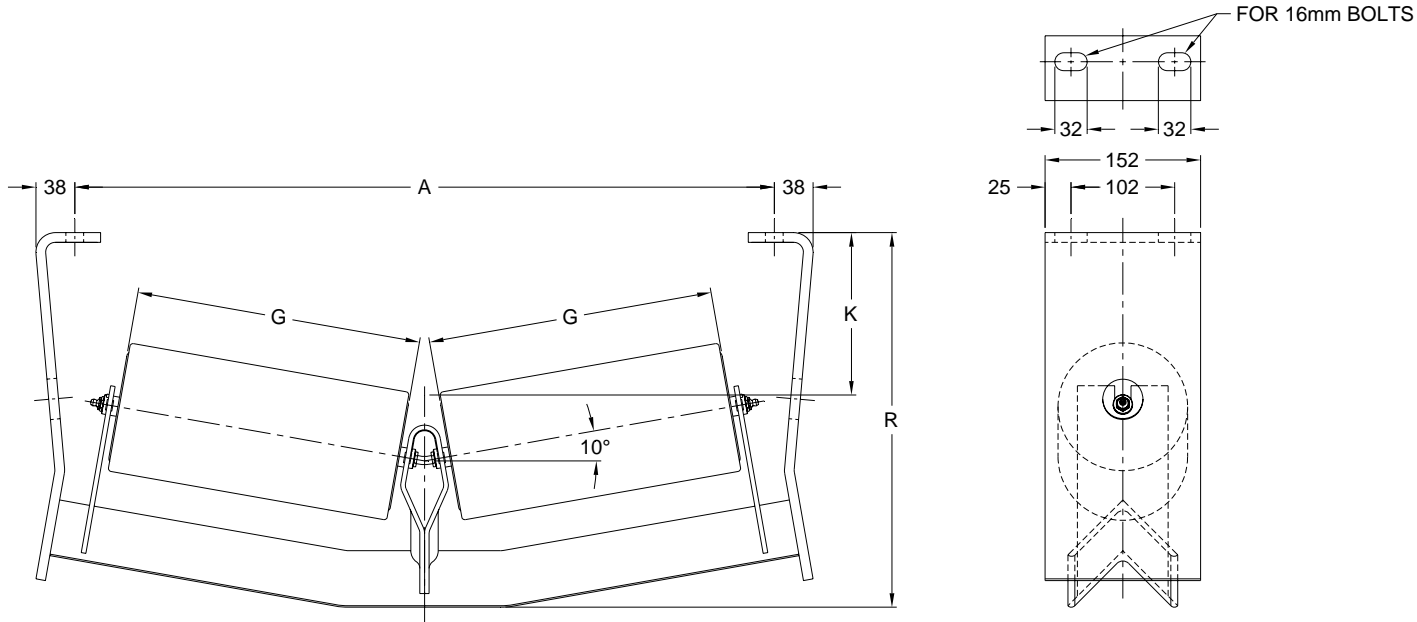
**STEPHENS-ADAMSON CONVEYOR COMPONENTS**  
www.Stephens-Adamson.com

CANADA  
Telephone: 1-800-510-3802  
Fax: 1-613-967-8128

U.S.A.  
Telephone: 1-800-638-6788  
Fax: 1-800-866-1438

INTERNATIONAL  
Telephone: 1-613-962-3411  
Fax: 1-613-967-8128

DS-E-IDL-00-070 A



'Dimensions in Millimeters'

Belt Width	Assembly Part Number	4195-10°-V Return Idler Dimensions 127 mm dia. Rolls				Weight
		A	G	K	R	
457 mm	405-18-G3-0200	686	280	159	367	23 kg.
610 mm	405-24-G3-0200	838	333	171	379	25 kg.
762 mm	405-30-G3-0200	991	439	191	398	28 kg.
914 mm	405-36-G3-0200	1143	491	200	408	32 kg.
1067 mm	405-42-G3-0200	1295	591	216	424	36 kg.
1219 mm	405-48-G3-0200	1448	667	229	446	43 kg.
1372 mm	405-54-G3-0200	1600	743	244	462	46 kg.
1524 mm	405-60-G3-0200	1753	819	257	485	52 kg.

Belt Width	Assembly Part Number	4196-10°-V Return Idler Dimensions 152 mm dia. Rolls				Weight
		A	G	K	R	
457 mm	406-18-G3-0200	686	280	146	367	26 kg.
610 mm	406-24-G3-0200	838	333	159	379	29 kg.
762 mm	406-30-G3-0200	991	439	178	398	34 kg.
914 mm	406-36-G3-0200	1143	491	187	408	38 kg.
1067 mm	406-42-G3-0200	1295	591	203	424	43 kg.
1219 mm	406-48-G3-0200	1448	667	216	446	49 kg.
1372 mm	406-54-G3-0200	1600	743	232	462	53 kg.
1524 mm	406-60-G3-0200	1753	819	244	485	59 kg.



**STEPHENS-ADAMSON CONVEYOR COMPONENTS**  
www.Stephens-Adamson.com

CANADA  
Telephone: 1-800-510-3802  
Fax: 1-613-967-8128

U.S.A.  
Telephone: 1-800-638-6788  
Fax: 1-800-866-1438

INTERNATIONAL  
Telephone: 1-613-962-3411  
Fax: 1-613-967-8128