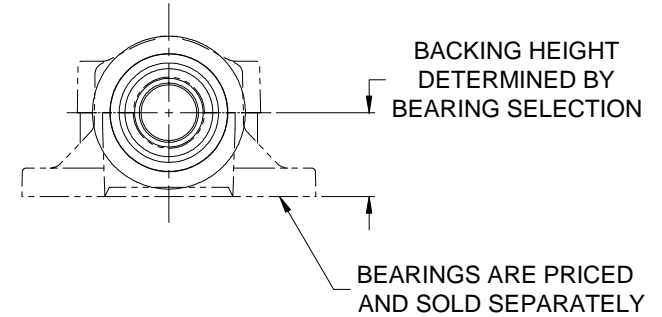
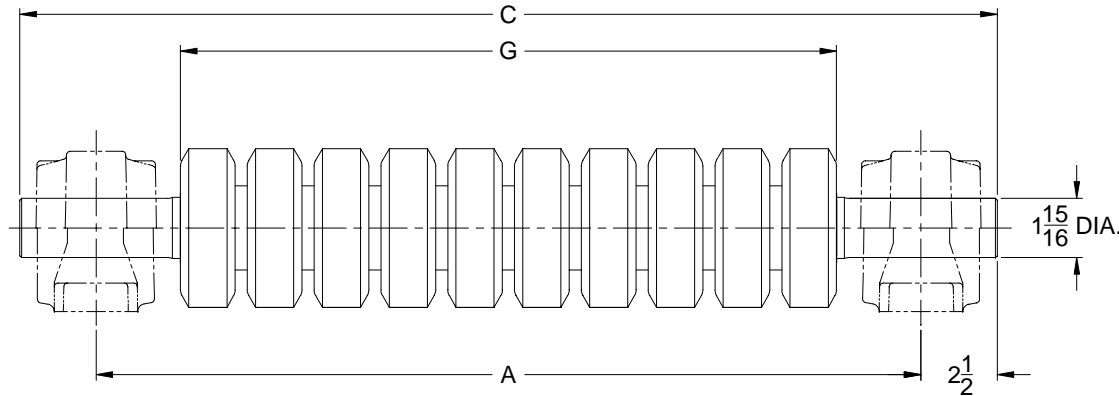




STEPHENS-ADAMSON CONVEYING

Note: Dimensions for REFERENCE ONLY and are SUBJECT TO CHANGE WITHOUT NOTICE.
Contact Stephens-Adamson Conveying for Certified Dimensions Prints.

CEMA "C" / "D" 4190 / 5190 Series Impact Live Shaft Idlers



'Dimensions in Inches'

Belt Width	Roller Assembly Part Number	R711-4195 Live Shaft Idler Dimensions 5-3/16" dia. Rolls			Assembly Weight
		A	C	G	
18"	M-18483-134-01	27	32	22-1/2	38 lbs.
24"	M-18483-134-02	33	38	28-1/2	45 lbs.
30"	M-18483-134-03	39	44	34-1/2	53 lbs.
36"	M-18483-134-04	45	50	40-1/2	63 lbs.
42"	M-18483-134-05	51	56	46-1/2	70 lbs.
48"	M-18483-134-06	57	62	52-1/2	78 lbs.
54"	M-18483-134-07	63	68	58-1/2	85 lbs.
60"	M-18483-134-08	69	74	64-1/2	93 lbs.

Belt Width	Roller Assembly Part Number	R711-4196 Live Shaft Idler Dimensions 6-3/16" dia. Rolls			Assembly Weight
		A	C	G	
18"	M-18483-135-01	27	32	22-1/2	43 lbs.
24"	M-18483-135-02	33	38	28-1/2	51 lbs.
30"	M-18483-135-03	39	44	34-1/2	60 lbs.
36"	M-18483-135-04	45	50	40-1/2	72 lbs.
42"	M-18483-135-05	51	56	46-1/2	80 lbs.
48"	M-18483-135-06	57	62	52-1/2	89 lbs.
54"	M-18483-135-07	63	68	58-1/2	97 lbs.
60"	M-18483-135-08	69	74	64-1/2	106 lbs.

NOTE: BEARINGS ARE PRICED AND SOLD SEPARATELY.

STEPHENS-ADAMSON CONVEYING

www.Stephens-Adamson.com

CANADA
Telephone: 1-800-510-3802
Fax: 1-613-967-8128

U.S.A.
Telephone: 1-800-638-6788
Fax: 1-800-866-1438

INTERNATIONAL
Telephone: 1-613-962-3411
Fax: 1-613-967-8128

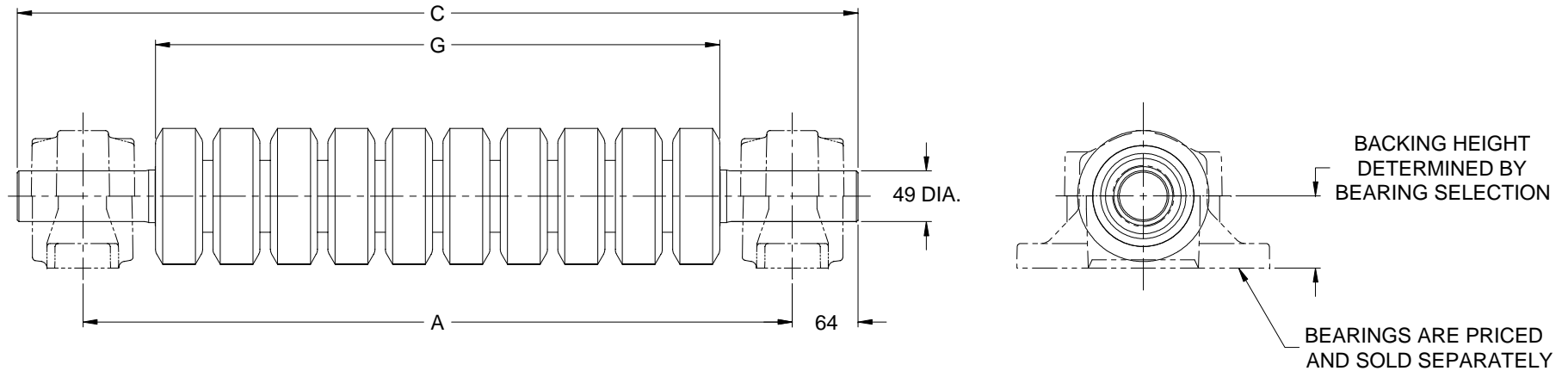
DS-E-IDL-00-074



STEPHENS-ADAMSON CONVEYING

Note: Dimensions for REFERENCE ONLY and are SUBJECT TO CHANGE WITHOUT NOTICE.
Contact Stephens-Adamson Conveying for Certified Dimensions Prints.

CEMA "C" / "D" 4190 / 5190 Series Impact Live Shaft Idlers



'Dimensions in Millimeters'

Belt Width	Roller Assembly Part Number	R711-4195 Live Shaft Idler Dimensions 132 mm dia. Rolls			Assembly Weight
		A	C	G	
457 mm	M-18483-134-01	686	813	572	17 kg.
610 mm	M-18483-134-02	838	965	724	20 kg.
762 mm	M-18483-134-03	991	1118	876	24 kg.
914 mm	M-18483-134-04	1143	1270	1029	29 kg.
1067 mm	M-18483-134-05	1295	1422	1181	32 kg.
1219 mm	M-18483-134-06	1448	1575	1334	35 kg.
1372 mm	M-18483-134-07	1600	1727	1486	39 kg.
1524 mm	M-18483-134-08	1753	1880	1638	42 kg.

Belt Width	Roller Assembly Part Number	R711-4196 Live Shaft Idler Dimensions 157 mm dia. Rolls			Assembly Weight
		A	C	G	
457 mm	M-18483-135-01	686	813	572	20 kg.
610 mm	M-18483-135-02	838	965	724	23 kg.
762 mm	M-18483-135-03	991	1118	876	27 kg.
914 mm	M-18483-135-04	1143	1270	1029	33 kg.
1067 mm	M-18483-135-05	1295	1422	1181	36 kg.
1219 mm	M-18483-135-06	1448	1575	1334	40 kg.
1372 mm	M-18483-135-07	1600	1727	1486	44 kg.
1524 mm	M-18483-135-08	1753	1880	1638	48 kg.

NOTE: BEARINGS ARE PRICED AND SOLD SEPARATELY.

STEPHENS-ADAMSON CONVEYING

www.Stephens-Adamson.com

CANADA
Telephone: 1-800-510-3802
Fax: 1-613-967-8128

U.S.A.
Telephone: 1-800-638-6788
Fax: 1-800-866-1438

INTERNATIONAL
Telephone: 1-613-962-3411
Fax: 1-613-967-8128

DS-E-IDL-00-074