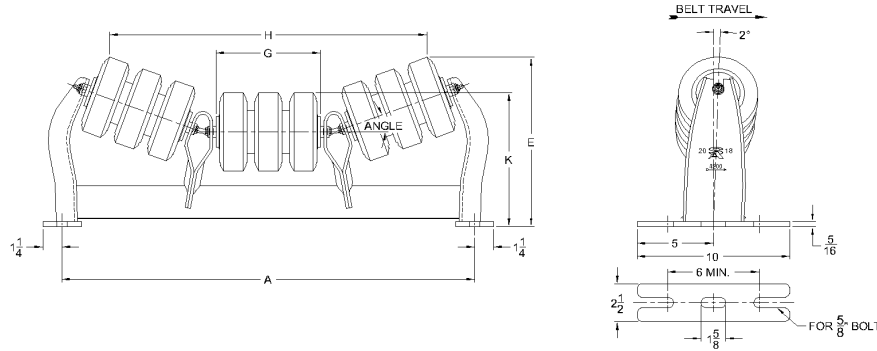




Note: Dimensions for REFERENCE ONLY and ARE SUBJECT TO CHANGE WITHOUT NOTICE.  
Contact us for Certified Dimensions Prints.

# CEMA "C" 4200 Series Inline Impact Idlers - Regreasable



*'Dimensions in Inches'*

Belt Width	Assembly Part Number	R711-4205-20°-Impact Troughing Idler Dimensions 5-3/16" dia. Rolls					Assembly Weight
		A	E	G	H	K	
18"	425-18-AM-0200	27	11-1/4	6-7/8	21-3/4	8-3/4	44 lbs.
24"	425-24-AM-0200	33	11-15/16	8-15/16	26-15/16	8-3/4	52 lbs.
30"	425-30-AM-0200	39	12-11/16	11	33	8-3/4	60 lbs.
36"	425-36-AM-0200	45	13-5/16	13-1/8	39	8-3/4	71 lbs.
42"	425-42-AM-0200	51	14-1/16	15-3/16	44-15/16	8-3/4	78 lbs.
48"	425-48-AM-0200	57	14-3/4	17-1/4	50-15/16	8-3/4	87 lbs.
54"	425-54-AM-0200	63	15-3/4	19-5/16	56-15/16	9	96 lbs.
60"	425-60-AM-0200	69	16-1/2	21-7/16	62-15/16	9	103 lbs.

Belt Width	Assembly Part Number	R711-4206-20°-Impact Troughing Idler Dimensions 6-3/16" dia. Rolls					Assembly Weight
		A	E	G	H	K	
18"	426-18-AM-0200	27	11-3/4	6-7/8	21-7/16	9-1/4	49 lbs.
24"	426-24-AM-0200	33	12-7/16	8-15/16	26-9/16	9-1/4	58 lbs.
30"	426-30-AM-0200	39	13-1/8	11	32-5/8	9-1/4	67 lbs.
36"	426-36-AM-0200	45	13-13/16	13-1/8	38-11/16	9-1/4	80 lbs.
42"	426-42-AM-0200	51	14-1/2	15-3/16	44-9/16	9-1/4	89 lbs.
48"	426-48-AM-0200	57	15-1/4	17-1/4	50-5/8	9-1/4	99 lbs.
54"	426-54-AM-0200	63	16-1/4	19-5/16	56-9/16	9-1/2	109 lbs.
60"	426-60-AM-0200	69	16-15/16	21-7/16	62-9/16	9-1/2	118 lbs.

Belt Width	Assembly Part Number	R711-4205-35°-Impact Troughing Idler Dimensions 5-3/16" dia. Rolls					Assembly Weight
		A	E	G	H	K	
18"	425-18-BM-0200	27	12-15/16	6-7/8	19-11/16	8-3/4	46 lbs.
24"	425-24-BM-0200	33	14	8-15/16	24-5/16	8-3/4	54 lbs.
30"	425-30-BM-0200	39	15-3/16	11	29-7/8	8-3/4	62 lbs.
36"	425-36-BM-0200	45	16-5/16	13-1/8	35-7/16	8-3/4	73 lbs.
42"	425-42-BM-0200	51	17-9/16	15-3/16	40-7/8	8-3/4	81 lbs.
48"	425-48-BM-0200	57	18-3/4	17-1/4	46-3/8	8-3/4	90 lbs.
54"	425-54-BM-0200	63	20-3/16	19-5/16	51-13/16	9	99 lbs.
60"	425-60-BM-0200	69	21-3/8	21-7/16	57-5/16	9	107 lbs.

Belt Width	Assembly Part Number	R711-4206-35°-Impact Troughing Idler Dimensions 6-3/16" dia. Rolls					Assembly Weight
		A	E	G	H	K	
18"	426-18-BM-0200	27	13-3/8	6-7/8	19-1/16	9-1/4	52 lbs.
24"	426-24-BM-0200	33	14-3/8	8-15/16	23-3/4	9-1/4	61 lbs.
30"	426-30-BM-0200	39	15-9/16	11	29-5/16	9-1/4	70 lbs.
36"	426-36-BM-0200	45	16-3/4	13-1/8	34-13/16	9-1/4	82 lbs.
42"	426-42-BM-0200	51	17-15/16	15-3/16	40-1/4	9-1/4	91 lbs.
48"	426-48-BM-0200	57	19-3/16	17-1/4	45-3/4	9-1/4	102 lbs.
54"	426-54-BM-0200	63	20-9/16	19-5/16	51-1/4	9-1/2	113 lbs.
60"	426-60-BM-0200	69	21-3/4	21-7/16	56-3/4	9-1/2	122 lbs.

Belt Width	Assembly Part Number	R711-4205-45°-Impact Troughing Idler Dimensions 5-3/16" dia. Rolls					Assembly Weight
		A	E	G	H	K	
18"	425-18-CM-0200	27	13-15/16	6-7/8	18-1/4	8-3/4	46 lbs.
24"	425-24-CM-0200	33	15-1/8	8-15/16	22-1/2	8-3/4	53 lbs.
30"	425-30-CM-0200	39	16-5/8	11	27-5/8	8-3/4	62 lbs.
36"	425-36-CM-0200	45	18	13-1/8	32-11/16	8-3/4	77 lbs.
42"	425-42-CM-0200	51	19-1/2	15-3/16	37-11/16	8-3/4	86 lbs.
48"	425-48-CM-0200	57	21	17-1/4	42-11/16	8-3/4	97 lbs.
54"	425-54-CM-0200	63	23	19-5/16	47-11/16	9-1/4	119 lbs.
60"	425-60-CM-0200	69	24-1/2	21-7/16	52-3/4	9-1/4	129 lbs.

Belt Width	Assembly Part Number	R711-4206-45°-Impact Troughing Idler Dimensions 6-3/16" dia. Rolls					Assembly Weight
		A	E	G	H	K	
18"	426-18-CM-0200	27	14-1/4	6-7/8	17-1/2	9-1/4	52 lbs.
24"	426-24-CM-0200	33	15-1/2	8-15/16	21-13/16	9-1/4	59 lbs.
30"	426-30-CM-0200	39	17	11	26-7/8	9-1/4	72 lbs.
36"	426-36-CM-0200	45	18-1/2	13-1/8	31-15/16	9-1/4	86 lbs.
42"	426-42-CM-0200	51	20	15-3/16	35-15/16	9-1/4	96 lbs.
48"	426-48-CM-0200	57	21-7/16	17-1/4	42	9-1/4	109 lbs.
54"	426-54-CM-0200	63	23-3/8	19-5/16	47	9-3/4	129 lbs.
60"	426-60-CM-0200	69	25	21-7/16	52	9-3/4	144 lbs.



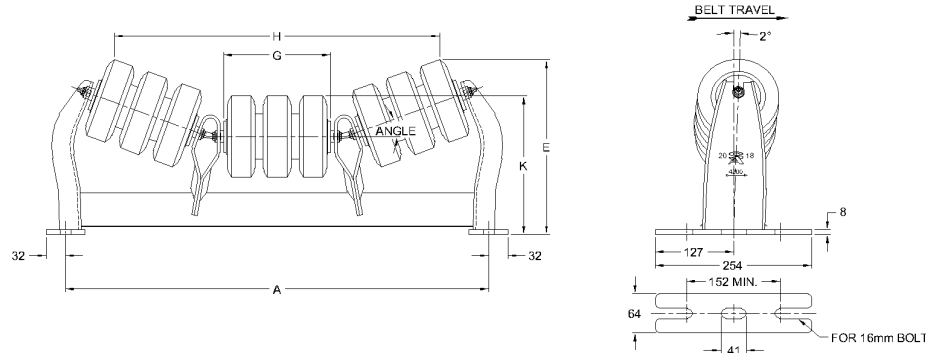
**STEPHENS-ADAMSON CONVEYOR COMPONENTS**  
www.Stephens-Adamson.com

CANADA  
Telephone: 1-800-510-3802  
Fax: 1-613-967-8128

U.S.A.  
Telephone: 1-800-638-6788  
Fax: 1-800-866-1438

INTERNATIONAL  
Telephone: 1-613-962-3411  
Fax: 1-613-967-8128

DS-E-IDL-00-076 B



'Dimensions in Millimeters'

Belt Width	Assembly Part Number	R711-4205-20°-Impact Troughing Idler Dimensions 132 mm dia. Rolls					Assembly Weight
		A	E	G	H	K	
457 mm	425 18 AM 0200	686	286	175	552	222	20 kg.
610 mm	425 24 AM 0200	838	303	227	684	222	24 kg.
762 mm	425 30 AM 0200	991	322	279	838	222	27 kg.
914 mm	425 36 AM 0200	1143	338	333	991	222	32 kg.
1067 mm	425 42 AM 0200	1295	357	386	1141	222	35 kg.
1219 mm	425 48 AM 0200	1448	375	438	1294	222	39 kg.
1372 mm	425 54 AM 0200	1600	400	491	1446	229	44 kg.
1524 mm	425 60 AM 0200	1753	419	545	1599	229	47 kg.

Belt Width	Assembly Part Number	R711-4205-35°-Impact Troughing Idler Dimensions 132 mm dia. Rolls					Assembly Weight
		A	E	G	H	K	
457 mm	425-18-BM-0200	686	329	175	500	222	21 kg.
610 mm	425-24-BM-0200	838	356	227	618	222	24 kg.
762 mm	425-30-BM-0200	991	386	279	759	222	28 kg.
914 mm	425-36-BM-0200	1143	414	333	900	222	33 kg.
1067 mm	425-42-BM-0200	1295	446	386	1038	222	37 kg.
1219 mm	425-48-BM-0200	1448	476	438	1178	222	41 kg.
1372 mm	425-54-BM-0200	1600	513	491	1316	229	45 kg.
1524 mm	425-60-BM-0200	1753	543	545	1456	229	49 kg.

Belt Width	Assembly Part Number	R711-4205-45°-Impact Troughing Idler Dimensions 132 mm dia. Rolls					Assembly Weight
		A	E	G	H	K	
457 mm	425-18-CM-0200	686	354	175	464	222	21 kg.
610 mm	425-24-CM-0200	838	384	227	572	222	24 kg.
762 mm	425-30-CM-0200	991	422	279	702	222	28 kg.
914 mm	425-36-CM-0200	1143	457	333	830	222	35 kg.
1067 mm	425-42-CM-0200	1295	495	386	957	222	39 kg.
1219 mm	425-48-CM-0200	1448	533	438	1084	222	44 kg.
1372 mm	425-54-CM-0200	1600	584	491	1211	235	54 kg.
1524 mm	425-60-CM-0200	1753	622	545	1340	235	59 kg.

Belt Width	Assembly Part Number	R711-4206-20°-Impact Troughing Idler Dimensions 157 mm dia. Rolls					Assembly Weight
		A	E	G	H	K	
457 mm	426-18-AM-0200	686	298	175	545	235	22 kg.
610 mm	426-24-AM-0200	838	316	227	675	235	26 kg.
762 mm	426-30-AM-0200	991	333	279	829	235	30 kg.
914 mm	426-36-AM-0200	1143	351	333	983	235	36 kg.
1067 mm	426-42-AM-0200	1295	368	386	1132	235	40 kg.
1219 mm	426-48-AM-0200	1448	387	438	1286	235	45 kg.
1372 mm	426-54-AM-0200	1600	413	491	1437	241	49 kg.
1524 mm	426-60-AM-0200	1753	430	545	1589	241	54 kg.

Belt Width	Assembly Part Number	R711-4206-35°-Impact Troughing Idler Dimensions 157 mm dia. Rolls					Assembly Weight
		A	E	G	H	K	
457 mm	426-18-BM-0200	686	340	175	484	235	24 kg.
610 mm	426-24-BM-0200	838	365	227	603	235	28 kg.
762 mm	426-30-BM-0200	991	395	279	745	235	32 kg.
914 mm	426-36-BM-0200	1143	425	333	884	235	37 kg.
1067 mm	426-42-BM-0200	1295	456	386	1022	235	41 kg.
1219 mm	426-48-BM-0200	1448	487	438	1162	235	46 kg.
1372 mm	426-54-BM-0200	1600	522	491	1302	241	51 kg.
1524 mm	426-60-BM-0200	1753	552	545	1441	241	55 kg.

Belt Width	Assembly Part Number	R711-4206-45°-Impact Troughing Idler Dimensions 157 mm dia. Rolls					Assembly Weight
		A	E	G	H	K	
457 mm	426-18-CM-0200	686	362	175	445	235	24 kg.
610 mm	426-24-CM-0200	838	394	227	554	235	27 kg.
762 mm	426-30-CM-0200	991	432	279	683	235	33 kg.
914 mm	426-36-CM-0200	1143	470	333	811	235	39 kg.
1067 mm	426-42-CM-0200	1295	508	386	913	235	44 kg.
1219 mm	426-48-CM-0200	1448	545	438	1067	235	49 kg.
1372 mm	426-54-CM-0200	1600	594	491	1194	248	59 kg.
1524 mm	426-60-CM-0200	1753	635	545	1321	248	65 kg.



**STEPHENS-ADAMSON CONVEYOR COMPONENTS**  
www.Stephens-Adamson.com

CANADA  
Telephone: 1-800-510-3802  
Fax: 1-613-967-8128

U.S.A.  
Telephone: 1-800-638-6788  
Fax: 1-800-866-1438

INTERNATIONAL  
Telephone: 1-613-962-3411  
Fax: 1-613-967-8128