

'Dimensions in Inches'

Belt Width	Assembly Part Number	4205-20° ST-PA- Troughing Idler Dimensions 5" dia. Rolls					Assembly Weight
		A	G	K	L	M	
18"	425-18-AT-0200	27	6-7/8	9-1/4	24-5/8	15	109 lbs.
24"	425-24-AT-0200	33	8-15/16	9-1/4	30-11/16	15-3/4	121 lbs.
30"	425-30-AT-0200	39	11	9-1/4	36-3/4	16-7/16	135 lbs.
36"	425-36-AT-0200	45	13-1/8	9-1/4	42-3/4	17-3/16	147 lbs.
42"	425-42-AT-0200	51	15-3/16	9-1/4	48-3/4	17-7/8	158 lbs.
48"	425-48-AT-0200	57	17-1/4	9-1/2	54-3/4	18-9/16	191 lbs.
54"	425-54-AT-0200	63	19-5/16	9-1/2	60-11/16	19-1/4	205 lbs.
60"	425-60-AT-0200	69	21-7/16	9-1/2	66-11/16	20	218 lbs.

Belt Width	Assembly Part Number	4206-20° ST-PA- Troughing Idler Dimensions 6" dia. Rolls					Assembly Weight
		A	G	K	L	M	
18"	426-18-AT-0200	27	6-7/8	9-3/4	24-5/8	15	117 lbs.
24"	426-24-AT-0200	33	8-15/16	9-3/4	30-11/16	15-3/4	132 lbs.
30"	426-30-AT-0200	39	11	9-3/4	36-3/4	16-7/16	148 lbs.
36"	426-36-AT-0200	45	13-1/8	9-3/4	42-3/4	17-3/16	162 lbs.
42"	426-42-AT-0200	51	15-3/16	9-3/4	48-3/4	17-7/8	175 lbs.
48"	426-48-AT-0200	57	17-1/4	10	54-3/4	18-9/16	210 lbs.
54"	426-54-AT-0200	63	19-5/16	10	60-11/16	19-1/4	226 lbs.
60"	426-60-AT-0200	69	21-7/16	10	66-11/16	20	241 lbs.

Belt Width	Assembly Part Number	4205-35° ST-PA- Troughing Idler Dimensions 5" dia. Rolls					Assembly Weight
		A	G	K	L	M	
18"	425-18-BT-0200	27	6-7/8	9-1/4	20-15/16	17	107 lbs.
24"	425-24-BT-0200	33	8-15/16	9-1/4	26-1/2	18-3/16	122 lbs.
30"	425-30-BT-0200	39	11	9-1/4	32-1/16	19-5/16	137 lbs.
36"	425-36-BT-0200	45	13-1/8	9-1/4	37-9/16	20-9/16	148 lbs.
42"	425-42-BT-0200	51	15-3/16	9-1/4	43-1/16	21-3/4	160 lbs.
48"	425-48-BT-0200	57	17-1/4	9-1/2	48-1/2	22-15/16	194 lbs.
54"	425-54-BT-0200	63	19-5/16	9-1/2	54	24-1/8	208 lbs.
60"	425-60-BT-0200	69	21-7/16	9-1/2	59-1/2	25-5/16	220 lbs.

Belt Width	Assembly Part Number	4206-35° ST-PA- Troughing Idler Dimensions 6" dia. Rolls					Assembly Weight
		A	G	K	L	M	
18"	426-18-BT-0200	27	6-7/8	9-3/4	20-15/16	17	118 lbs.
24"	426-24-BT-0200	33	8-15/16	9-3/4	26-1/2	18-3/16	133 lbs.
30"	426-30-BT-0200	39	11	9-3/4	32-1/16	19-5/16	150 lbs.
36"	426-36-BT-0200	45	13-1/8	9-3/4	37-9/16	20-9/16	163 lbs.
42"	426-42-BT-0200	51	15-3/16	9-3/4	43-1/16	21-3/4	177 lbs.
48"	426-48-BT-0200	57	17-1/4	10	48-1/2	22-15/16	213 lbs.
54"	426-54-BT-0200	63	19-5/16	10	54	24-1/8	229 lbs.
60"	426-60-BT-0200	69	21-7/16	10	59-1/2	25-5/16	244 lbs.

Belt Width	Assembly Part Number	4205-45° ST-PA- Troughing Idler Dimensions 5" dia. Rolls					Assembly Weight
		A	G	K	L	M	
18"	425-18-CT-0200	27	6-7/8	9-1/4	20-1/16	18	125 lbs.
24"	425-24-CT-0200	33	8-15/16	9-1/4	23-5/8	19-1/2	139 lbs.
30"	425-30-CT-0200	39	11	9-1/4	28-11/16	21	155 lbs.
36"	425-36-CT-0200	45	13-1/8	9-1/4	33-3/4	22-1/2	169 lbs.
42"	425-42-CT-0200	51	15-3/16	9-1/4	38-3/4	23-15/16	185 lbs.
48"	425-48-CT-0200	57	17-1/4	9-1/2	43-3/4	25-7/16	202 lbs.
54"	425-54-CT-0200	63	19-5/16	9-1/2	48-3/4	26-7/8	211 lbs.
60"	425-60-CT-0200	69	21-7/16	9-1/2	53-13/16	28-3/8	240 lbs.

Belt Width	Assembly Part Number	4206-45° ST-PA- Troughing Idler Dimensions 6" dia. Rolls					Assembly Weight
		A	G	K	L	M	
18"	426-18-CT-0200	27	6-7/8	9-3/4	20-1/16	18	136 lbs.
24"	426-24-CT-0200	33	8-15/16	9-3/4	23-5/8	19-1/2	152 lbs.
30"	426-30-CT-0200	39	11	9-3/4	28-11/16	21	168 lbs.
36"	426-36-CT-0200	45	13-1/8	9-3/4	33-3/4	22-1/2	184 lbs.
42"	426-42-CT-0200	51	15-3/16	9-3/4	38-3/4	23-15/16	207 lbs.
48"	426-48-CT-0200	57	17-1/4	10	43-3/4	25-7/16	221 lbs.
54"	426-54-CT-0200	63	19-5/16	10	48-3/4	26-7/8	232 lbs.
60"	426-60-CT-0200	69	21-7/16	10	53-13/16	28-3/8	266 lbs.



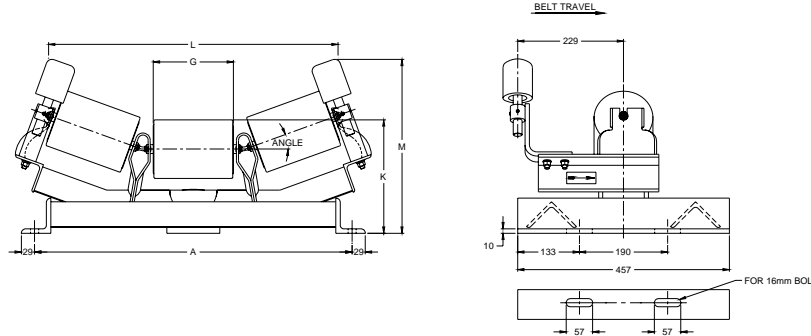
STEPHENS-ADAMSON CONVEYOR COMPONENTS
www.Stephens-Adamson.com

CANADA
Telephone: 1-800-510-3802
Fax: 1-613-967-8128

U.S.A.
Telephone: 1-800-638-6788
Fax: 1-800-866-1438

INTERNATIONAL
Telephone: 1-613-962-3411
Fax: 1-613-967-8128

DS-E-IDL-00-077 A



'Dimensions in Millimeters'

Belt Width	Assembly Part Number	4205-20° ST-PA- Troughing Idler Dimensions 127 mm dia. Rolls					Assembly Weight
		A	G	K	L	M	
457 mm	425-18-AT-0200	686	175	235	625	381	49 kg.
610 mm	425-24-AT-0200	838	227	235	779	400	55 kg.
762 mm	425-30-AT-0200	991	279	235	933	418	61 kg.
914 mm	425-36-AT-0200	1143	333	235	1086	437	67 kg.
1067 mm	425-42-AT-0200	1295	386	235	1238	454	72 kg.
1219 mm	425-48-AT-0200	1448	438	241	1391	471	87 kg.
1372 mm	425-54-AT-0200	1600	491	241	1541	489	93 kg.
1524 mm	425-60-AT-0200	1753	545	241	1694	508	99 kg.

Belt Width	Assembly Part Number	4205-35° ST-PA- Troughing Idler Dimensions 127 mm dia. Rolls					Assembly Weight
		A	G	K	L	M	
457 mm	425-18-BT-0200	686	175	235	532	432	49 kg.
610 mm	425-24-BT-0200	838	227	235	673	462	55 kg.
762 mm	425-30-BT-0200	991	279	235	814	491	62 kg.
914 mm	425-36-BT-0200	1143	333	235	954	522	67 kg.
1067 mm	425-42-BT-0200	1295	386	235	1094	552	73 kg.
1219 mm	425-48-BT-0200	1448	438	241	1232	583	88 kg.
1372 mm	425-54-BT-0200	1600	491	241	1372	613	94 kg.
1524 mm	425-60-BT-0200	1753	545	241	1511	643	100 kg.

Belt Width	Assembly Part Number	4205-45° ST-PA- Troughing Idler Dimensions 127 mm dia. Rolls					Assembly Weight
		A	G	K	L	M	
457 mm	425-18-CT-0200	686	175	235	510	457	57 kg.
610 mm	425-24-CT-0200	838	227	235	600	495	63 kg.
762 mm	425-30-CT-0200	991	279	235	729	533	70 kg.
914 mm	425-36-CT-0200	1143	333	235	857	572	77 kg.
1067 mm	425-42-CT-0200	1295	386	235	984	608	84 kg.
1219 mm	425-48-CT-0200	1448	438	241	1111	646	92 kg.
1372 mm	425-54-CT-0200	1600	491	241	1238	683	96 kg.
1524 mm	425-60-CT-0200	1753	545	241	1367	721	109 kg.

Belt Width	Assembly Part Number	4206-20° ST-PA- Troughing Idler Dimensions 152 mm dia. Rolls					Assembly Weight
		A	G	K	L	M	
457 mm	426-18-AT-0200	686	175	248	625	381	53 kg.
610 mm	426-24-AT-0200	838	227	248	779	400	60 kg.
762 mm	426-30-AT-0200	991	279	248	933	418	67 kg.
914 mm	426-36-AT-0200	1143	333	248	1086	437	73 kg.
1067 mm	426-42-AT-0200	1295	386	248	1238	454	79 kg.
1219 mm	426-48-AT-0200	1448	438	254	1391	471	95 kg.
1372 mm	426-54-AT-0200	1600	491	254	1541	489	103 kg.
1524 mm	426-60-AT-0200	1753	545	254	1694	508	109 kg.

Belt Width	Assembly Part Number	4206-35° ST-PA- Troughing Idler Dimensions 152 mm dia. Rolls					Assembly Weight
		A	G	K	L	M	
457 mm	426-18-BT-0200	686	175	248	532	432	54 kg.
610 mm	426-24-BT-0200	838	227	248	673	462	60 kg.
762 mm	426-30-BT-0200	991	279	248	814	491	68 kg.
914 mm	426-36-BT-0200	1143	333	248	954	522	74 kg.
1067 mm	426-42-BT-0200	1295	386	248	1094	552	80 kg.
1219 mm	426-48-BT-0200	1448	438	254	1232	583	97 kg.
1372 mm	426-54-BT-0200	1600	491	254	1372	613	104 kg.
1524 mm	426-60-BT-0200	1753	545	254	1511	643	111 kg.

Belt Width	Assembly Part Number	4206-45° ST-PA- Troughing Idler Dimensions 152 mm dia. Rolls					Assembly Weight
		A	G	K	L	M	
457 mm	426-18-CT-0200	686	175	248	510	457	62 kg.
610 mm	426-24-CT-0200	838	227	248	600	495	69 kg.
762 mm	426-30-CT-0200	991	279	248	729	533	76 kg.
914 mm	426-36-CT-0200	1143	333	248	857	572	83 kg.
1067 mm	426-42-CT-0200	1295	386	248	984	608	94 kg.
1219 mm	426-48-CT-0200	1448	438	254	1111	646	100 kg.
1372 mm	426-54-CT-0200	1600	491	254	1238	683	105 kg.
1524 mm	426-60-CT-0200	1753	545	254	1367	721	121 kg.



STEPHENS-ADAMSON CONVEYOR COMPONENTS
www.Stephens-Adamson.com

CANADA
Telephone: 1-800-510-3802
Fax: 1-613-967-8128

U.S.A.
Telephone: 1-800-638-6788
Fax: 1-800-866-1438

INTERNATIONAL
Telephone: 1-613-962-3411
Fax: 1-613-967-8128