

'Dimensions in Inches'

Belt Width	Assembly Part Number	4205-20°-Impact Picking Table Idler Dimensions 5-3/16" dia. Rolls					Assembly Weight
		A	E	G	H	K	
24"	425-24-AM-P200	33	11-1/4	12-7/8	27-3/4	8-3/4	52 lbs.
30"	425-30-AM-P200	39	11-1/4	18-7/8	33-3/4	8-3/4	60 lbs.
36"	425-36-AM-P200	45	11-1/4	24-7/8	39-3/4	8-3/4	65 lbs.
42"	425-42-AM-P200	51	11-1/4	30-7/8	45-3/4	8-3/4	71 lbs.
48"	425-48-AM-P200	57	11-1/4	36-7/8	51-3/4	8-3/4	80 lbs.
54"	425-54-AM-P200	63	11-1/2	42-7/8	57-3/4	9	88 lbs.
60"	425-60-AM-P200	69	11-1/2	48-7/8	63-3/4	9	92 lbs.

Belt Width	Assembly Part Number	4206-20°-Impact Picking Table Idler Dimensions 6-3/16" dia. Rolls					Assembly Weight
		A	E	G	H	K	
24"	426-24-AM-P200	33	11-3/4	12-7/8	27-7/16	9-1/4	61 lbs.
30"	426-30-AM-P200	39	11-3/4	18-7/8	33-7/16	9-1/4	70 lbs.
36"	426-36-AM-P200	45	11-3/4	24-7/8	39-7/16	9-1/4	77 lbs.
42"	426-42-AM-P200	51	11-3/4	30-7/8	45-7/16	9-1/4	83 lbs.
48"	426-48-AM-P200	57	11-3/4	36-7/8	51-7/16	9-1/4	96 lbs.
54"	426-54-AM-P200	63	12	42-7/8	57-7/16	9-1/2	105 lbs.
60"	426-60-AM-P200	69	12	48-7/8	63-7/16	9-1/2	110 lbs.

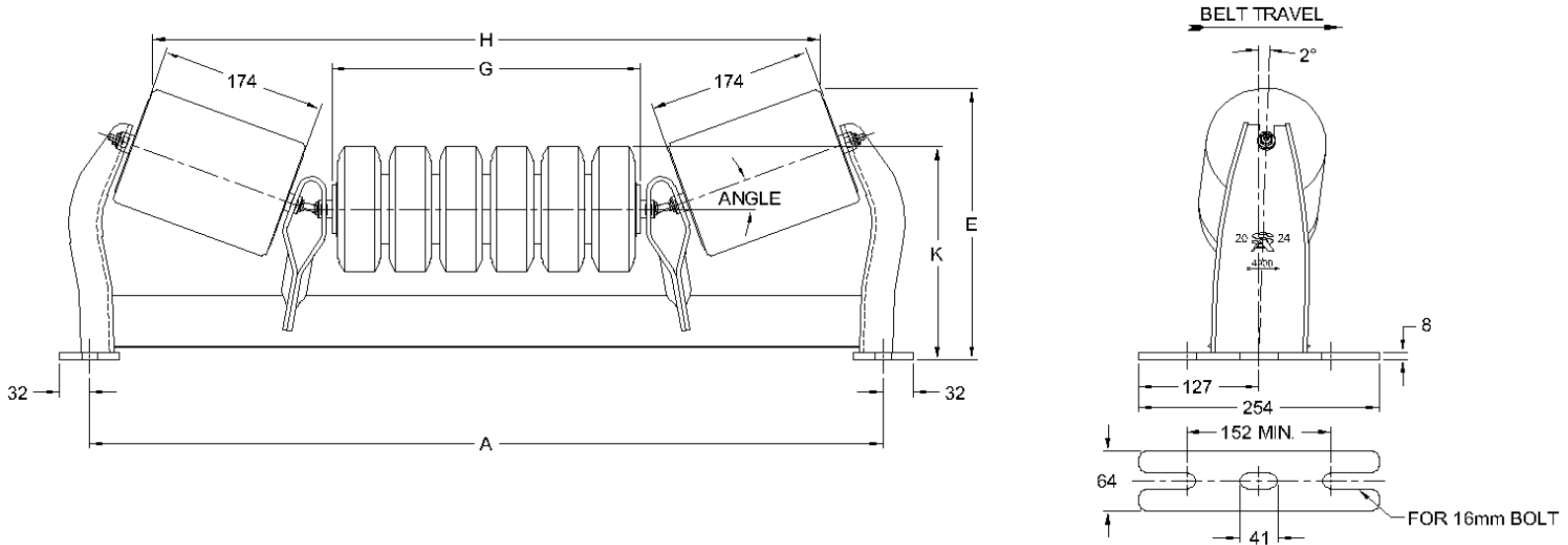


STEPHENS-ADAMSON CONVEYOR COMPONENTS
www.Stephens-Adamson.com

CANADA
Telephone: 1-800-510-3802
Fax: 1-613-967-8128

U.S.A.
Telephone: 1-800-638-6788
Fax: 1-800-866-1438

INTERNATIONAL
Telephone: 1-613-962-3411
Fax: 1-613-967-8128



'Dimensions in Millimeters'

Belt Width	Assembly Part Number	4205-20°-Impact Picking Table Idler Dimensions 132 mm dia. Rolls					Assembly Weight
		A	E	G	H	K	
610 mm	425-24-AM-P200	838	286	327	705	222	24 kg.
762 mm	425-30-AM-P200	991	286	479	857	222	27 kg.
914 mm	425-36-AM-P200	1143	286	632	1010	222	29 kg.
1067 mm	425-42-AM-P200	1295	286	784	1162	222	32 kg.
1219 mm	425-48-AM-P200	1448	286	937	1314	222	36 kg.
1372 mm	425-54-AM-P200	1600	292	1089	1467	229	40 kg.
1524 mm	425-60-AM-P200	1753	292	1241	1619	229	42 kg.

Belt Width	Assembly Part Number	4206-20°-Impact Picking Table Idler Dimensions 157 mm dia. Rolls					Assembly Weight
		A	E	G	H	K	
610 mm	426-24-AM-P200	838	298	327	697	235	28 kg.
762 mm	426-30-AM-P200	991	298	479	849	235	32 kg.
914 mm	426-36-AM-P200	1143	298	632	1002	235	35 kg.
1067 mm	426-42-AM-P200	1295	298	784	1154	235	38 kg.
1219 mm	426-48-AM-P200	1448	298	937	1307	235	44 kg.
1372 mm	426-54-AM-P200	1600	305	1089	1459	241	48 kg.
1524 mm	426-60-AM-P200	1753	305	1241	1611	241	50 kg.



STEPHENS-ADAMSON CONVEYOR COMPONENTS
www.Stephens-Adamson.com

CANADA
Telephone: 1-800-510-3802
Fax: 1-613-967-8128

U.S.A.
Telephone: 1-800-638-6788
Fax: 1-800-866-1438

INTERNATIONAL
Telephone: 1-613-962-3411
Fax: 1-613-967-8128