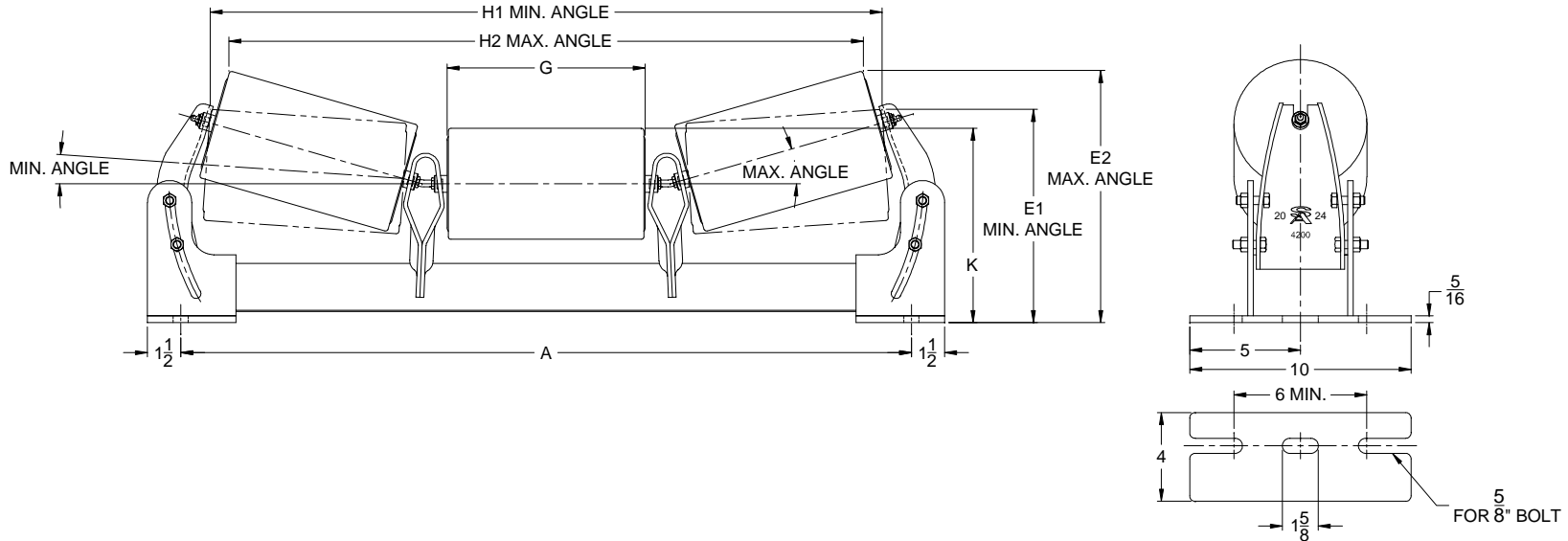




STEPHENS-ADAMSON CONVEYING

Note: Dimensions for REFERENCE ONLY and are SUBJECT TO CHANGE WITHOUT NOTICE.
Contact Stephens-Adamson Conveying for Certified Dimensions Prints.

CEMA "C" 4200 Series Adjustable Transition Idlers - Regreasable



'Dimensions in Inches'

Belt Width	Assembly Part Number	4205-4°-16° -Adj. Troughing Idler Dimensions 5" dia. Rolls							Assembly Weight
		A	E1	E2	G	H1	H2	K	
18"	425-18-MO-A200	27	9-3/8	10-11/16	6-7/8	24-1/16	22-1/2	8-3/4	62 lbs.
24"	425-24-MO-A200	33	9-7/16	11-1/4	8-15/16	31-3/16	28-11/16	8-3/4	71 lbs.
30"	425-30-MO-A200	39	9-5/8	11-13/16	11	36-11/16	34-13/16	8-3/4	79 lbs.
36"	425-36-MO-A200	45	9-3/4	12-7/16	13-1/8	43	41	8-3/4	90 lbs.
42"	425-42-MO-A200	51	9-7/8	13	15-3/16	48-11/16	47	8-3/4	98 lbs.
48"	425-48-MO-A200	57	10-1/16	13-9/16	17-1/4	55-3/8	53-1/16	8-3/4	107 lbs.
54"	425-54-MO-A200	63	10-7/16	14-7/16	19-5/16	61-5/8	59-1/8	9	127 lbs.
60"	425-60-MO-A200	69	10-9/16	14-15/16	21-7/16	67-13/16	65-1/4	9	136 lbs.

Belt Width	Assembly Part Number	4206-4°-16° -Adj. Troughing Idler Dimensions 6" dia. Rolls							Assembly Weight
		A	E1	E2	G	H1	H2	K	
18"	426-18-MO-A200	27	9-3/4	11-3/16	6-7/8	24	22-3/16	9-1/4	72 lbs.
24"	426-24-MO-A200	33	9-15/16	11-3/4	8-15/16	31-1/16	28-7/16	9-1/4	82 lbs.
30"	426-30-MO-A200	39	10-1/8	12-5/16	11	36-5/8	34-9/16	9-1/4	91 lbs.
36"	426-36-MO-A200	45	10-1/4	12-7/8	13-1/8	42-15/16	40-11/16	9-1/4	105 lbs.
42"	426-42-MO-A200	51	10-3/8	13-7/16	15-3/16	48-13/16	46-3/4	9-1/4	115 lbs.
48"	426-48-MO-A200	57	10-1/2	14-1/16	17-1/4	55-5/16	52-13/16	9-1/4	125 lbs.
54"	426-54-MO-A200	63	10-15/16	14-15/16	19-5/16	61-9/16	58-7/8	9-1/2	148 lbs.
60"	426-60-MO-A200	69	11-1/16	15-7/16	21-7/16	67-3/4	64-15/16	9-1/2	159 lbs.

Belt Width	Assembly Part Number	4205-22.5°-35° -Adj. Troughing Idler Dimensions 5" dia. Rolls							Assembly Weight
		A	E1	E2	G	H1	H2	K	
18"	425-18-NO-A200	27	11-3/4	12-13/16	6-7/8	22-1/8	19-3/4	8-3/4	67 lbs.
24"	425-24-NO-A200	33	12-7/16	14-1/8	8-15/16	28-9/32	25-3/16	8-3/4	76 lbs.
30"	425-30-NO-A200	39	13-5/16	15-1/4	11	34-3/32	30-3/4	8-3/4	84 lbs.
36"	425-36-NO-A200	45	14-1/16	16-17/32	13-1/8	40-3/16	36-1/4	8-3/4	95 lbs.
42"	425-42-NO-A200	51	14-13/16	17-3/4	15-3/16	46-1/16	41-11/16	8-3/4	103 lbs.
48"	425-48-NO-A200	57	15-5/8	18-15/16	17-1/4	52-1/32	47-3/16	8-3/4	112 lbs.
54"	425-54-NO-A200	63	16-11/16	20-5/16	19-5/16	57-15/16	52-5/8	9	132 lbs.
60"	425-60-NO-A200	69	17-1/2	21-9/16	21-7/16	63-7/8	58-3/16	9	141 lbs.

Belt Width	Assembly Part Number	4206-22.5°-35° -Adj. Troughing Idler Dimensions 6" dia. Rolls							Assembly Weight
		A	E1	E2	G	H1	H2	K	
18"	426-18-NO-A200	27	12-3/16	13-1/4	6-7/8	21-3/4	19-5/16	9-1/4	77 lbs.
24"	426-24-NO-A200	33	12-15/16	14-1/2	8-15/16	27-15/16	24-9/16	9-1/4	87 lbs.
30"	426-30-NO-A200	39	13-3/4	15-3/4	11	33-7/8	30-1/8	9-1/4	96 lbs.
36"	426-36-NO-A200	45	14-1/2	16-15/16	13-1/8	39-13/16	35-11/16	9-1/4	110 lbs.
42"	426-42-NO-A200	51	15-5/16	18-1/8	15-3/16	45-11/16	41-1/8	9-1/4	120 lbs.
48"	426-48-NO-A200	57	16-1/8	19-5/16	17-1/4	51-5/8	46-5/8	9-1/4	130 lbs.
54"	426-54-NO-A200	63	17-1/8	20-3/4	19-5/16	57-1/2	52-1/16	9-1/2	153 lbs.
60"	426-60-NO-A200	69	17-15/16	21-15/16	21-7/16	63-1/2	57-5/8	9-1/2	164 lbs.

STEPHENS-ADAMSON CONVEYING

www.Stephens-Adamson.com

CANADA
Telephone: 1-800-510-3802
Fax: 1-613-967-8128

U.S.A.
Telephone: 1-800-638-6788
Fax: 1-800-866-1438

INTERNATIONAL
Telephone: 1-613-962-3411
Fax: 1-613-967-8128

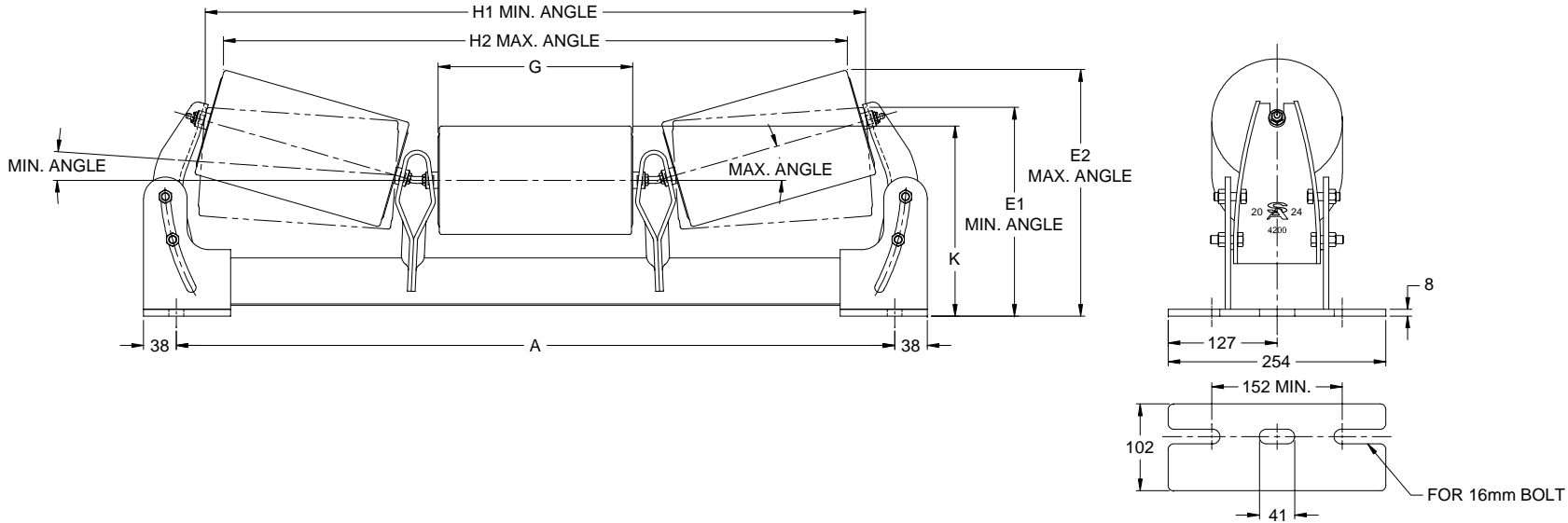
DS-E-IDL-00-080



STEPHENS-ADAMSON CONVEYING

Note: Dimensions for REFERENCE ONLY and are SUBJECT TO CHANGE WITHOUT NOTICE.
Contact Stephens-Adamson Conveying for Certified Dimensions Prints.

CEMA "C" 4200 Series Adjustable Transition Idlers - Regreasable



'Dimensions in Millimeters'

Belt Width	Assembly Part Number	4205-4°-16° -Adj. Troughing Idler Dimensions 127 mm dia. Rolls							Assembly Weight
		A	E1	E2	G	H1	H2	K	
457 mm	425-18-M0-A200	686	238	271	175	611	572	222	28 kg.
610 mm	425-24-M0-A200	838	240	286	227	792	729	222	32 kg.
762 mm	425-30-M0-A200	991	244	300	279	932	884	222	36 kg.
914 mm	425-36-M0-A200	1143	248	316	333	1092	1041	222	41 kg.
1067 mm	425-42-M0-A200	1295	251	330	386	1237	1194	222	44 kg.
1219 mm	425-48-M0-A200	1448	256	344	438	1407	1348	222	49 kg.
1372 mm	425-54-M0-A200	1600	265	367	491	1565	1502	229	58 kg.
1524 mm	425-60-M0-A200	1753	268	379	545	1722	1657	229	62 kg.

Belt Width	Assembly Part Number	4206-4°-16° -Adj. Troughing Idler Dimensions 152 mm dia. Rolls							Assembly Weight
		A	E1	E2	G	H1	H2	K	
457 mm	426-18-M0-A200	686	248	284	175	610	564	235	33 kg.
610 mm	426-24-M0-A200	838	252	298	227	789	722	235	37 kg.
762 mm	426-30-M0-A200	991	257	313	279	930	878	235	41 kg.
914 mm	426-36-M0-A200	1143	260	327	333	1091	1033	235	48 kg.
1067 mm	426-42-M0-A200	1295	264	341	386	1240	1187	235	52 kg.
1219 mm	426-48-M0-A200	1448	267	357	438	1405	1341	235	57 kg.
1372 mm	426-54-M0-A200	1600	278	379	491	1564	1495	241	67 kg.
1524 mm	426-60-M0-A200	1753	281	392	545	1721	1649	241	72 kg.

Belt Width	Assembly Part Number	4205-22.5°-35° -Adj. Troughing Idler Dimensions 127 mm dia. Rolls							Assembly Weight
		A	E1	E2	G	H1	H2	K	
457 mm	425-18-N0-A200	686	298	325	175	562	502	222	30 kg.
610 mm	425-24-N0-A200	838	316	359	227	718	640	222	34 kg.
762 mm	425-30-N0-A200	991	338	387	279	866	781	222	38 kg.
914 mm	425-36-N0-A200	1143	357	420	333	1021	921	222	43 kg.
1067 mm	425-42-N0-A200	1295	376	451	386	1170	1059	222	47 kg.
1219 mm	425-48-N0-A200	1448	397	481	438	1322	1199	222	51 kg.
1372 mm	425-54-N0-A200	1600	424	516	491	1472	1337	229	60 kg.
1524 mm	425-60-N0-A200	1753	445	548	545	1622	1478	229	64 kg.

Belt Width	Assembly Part Number	4206-22.5°-35° -Adj. Troughing Idler Dimensions 152 mm dia. Rolls							Assembly Weight
		A	E1	E2	G	H1	H2	K	
457 mm	426-18-N0-A200	686	310	337	175	552	491	235	35 kg.
610 mm	426-24-N0-A200	838	329	368	227	710	624	235	39 kg.
762 mm	426-30-N0-A200	991	349	400	279	860	765	235	44 kg.
914 mm	426-36-N0-A200	1143	368	430	333	1011	906	235	50 kg.
1067 mm	426-42-N0-A200	1295	389	460	386	1160	1045	235	54 kg.
1219 mm	426-48-N0-A200	1448	410	491	438	1311	1184	235	59 kg.
1372 mm	426-54-N0-A200	1600	435	527	491	1461	1322	241	69 kg.
1524 mm	426-60-N0-A200	1753	456	557	545	1613	1464	241	74 kg.

STEPHENS-ADAMSON CONVEYING

www.Stephens-Adamson.com

CANADA
Telephone: 1-800-510-3802
Fax: 1-613-967-8128

U.S.A.
Telephone: 1-800-638-6788
Fax: 1-800-866-1438

INTERNATIONAL
Telephone: 1-613-962-3411
Fax: 1-613-967-8128

DS-E-IDL-00-080