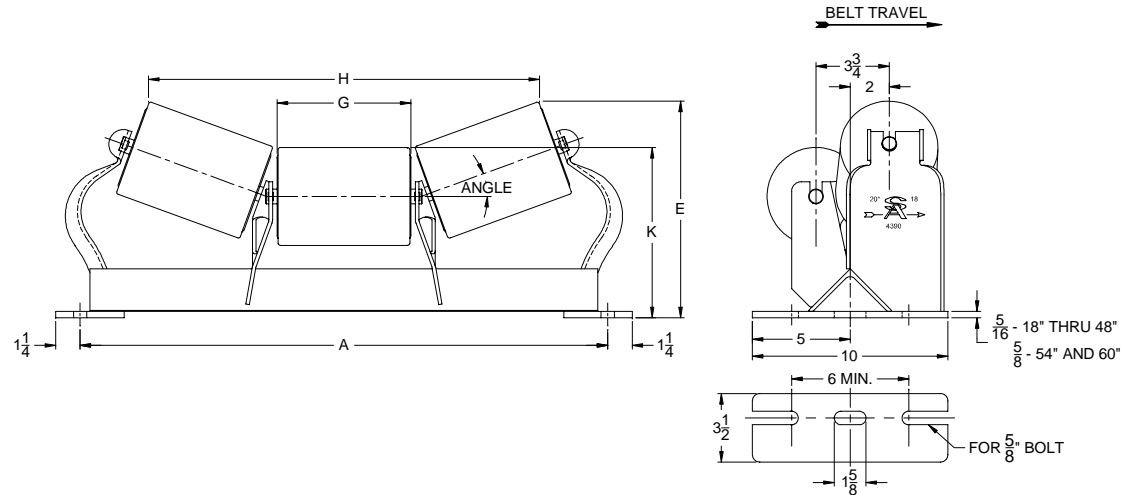




STEPHENS-ADAMSON CONVEYING

Note: Dimensions for REFERENCE ONLY and are SUBJECT TO CHANGE WITHOUT NOTICE.
Contact Stephens-Adamson Conveying for Certified Dimensions Prints.

CEMA "C" 4390 Series Offset Idlers – Sealed for Life



'Dimensions in Inches'

| Belt Width | Assembly Part Number | 4395-20°-Troughing Idler Dimensions 5" dia. Rolls | | | | | Assembly Weight |
|------------|----------------------|---------------------------------------------------|---------|---------|----------|---------|-----------------|
| | | A | E | G | H | K | |
| 18" | 435-18-A0-0120 | 27 | 11-1/16 | 6-13/16 | 19-7/8 | 8-11/16 | 45 lbs. |
| 24" | 435-24-A0-0120 | 33 | 11-3/4 | 8-15/16 | 25-15/16 | 8-11/16 | 52 lbs. |
| 30" | 435-30-A0-0120 | 39 | 12-1/2 | 11 | 31-15/16 | 8-11/16 | 58 lbs. |
| 36" | 435-36-A0-0120 | 45 | 13-3/16 | 13-1/8 | 38 | 8-11/16 | 64 lbs. |
| 42" | 435-42-A0-0120 | 51 | 13-7/8 | 15-3/16 | 43-7/8 | 8-11/16 | 71 lbs. |
| 48" | 435-48-A0-0120 | 57 | 14-5/8 | 17-1/4 | 49-15/16 | 8-11/16 | 77 lbs. |

| Belt Width | Assembly Part Number | 4395-35°-Troughing Idler Dimensions 5" dia. Rolls | | | | | Assembly Weight |
|------------|----------------------|---------------------------------------------------|----------|---------|----------|---------|-----------------|
| | | A | E | G | H | K | |
| 18" | 435-18-B0-0120 | 27 | 12-11/16 | 6-13/16 | 18-3/8 | 8-11/16 | 48 lbs. |
| 24" | 435-24-B0-0120 | 33 | 13-7/8 | 8-15/16 | 23-7/8 | 8-11/16 | 55 lbs. |
| 30" | 435-30-B0-0120 | 39 | 15-1/16 | 11 | 29-3/8 | 8-11/16 | 62 lbs. |
| 36" | 435-36-B0-0120 | 45 | 16-1/4 | 13-1/8 | 34-15/16 | 8-11/16 | 68 lbs. |
| 42" | 435-42-B0-0120 | 51 | 17-7/16 | 15-3/16 | 40-5/16 | 8-11/16 | 75 lbs. |
| 48" | 435-48-B0-0120 | 57 | 18-5/8 | 17-1/4 | 45-7/8 | 8-11/16 | 82 lbs. |

| Belt Width | Assembly Part Number | 4395-45°-Troughing Idler Dimensions 5" dia. Rolls | | | | | Assembly Weight |
|------------|----------------------|---------------------------------------------------|---------|---------|----------|---------|-----------------|
| | | A | E | G | H | K | |
| 18" | 435-18-C0-0120 | 27 | 13-5/8 | 6-13/16 | 16-7/8 | 8-11/16 | 49 lbs. |
| 24" | 435-24-C0-0120 | 33 | 15-1/16 | 8-15/16 | 21-15/16 | 8-11/16 | 56 lbs. |
| 30" | 435-30-C0-0120 | 39 | 16-9/16 | 11 | 27 | 8-11/16 | 63 lbs. |
| 36" | 435-36-C0-0120 | 45 | 18-1/16 | 13-1/8 | 32-1/16 | 8-11/16 | 70 lbs. |
| 42" | 435-42-C0-0120 | 51 | 19-1/2 | 15-3/16 | 37 | 8-11/16 | 76 lbs. |
| 48" | 435-48-C0-0120 | 57 | 21 | 17-1/4 | 42-1/16 | 8-11/16 | 83 lbs. |

| Belt Width | Assembly Part Number | 4396-20°-Troughing Idler Dimensions 6" dia. Rolls | | | | | Assembly Weight |
|------------|----------------------|---------------------------------------------------|----------|---------|---------|--------|-----------------|
| | | A | E | G | H | K | |
| 18" | 436-18-A0-0120 | 27 | 11-1/2 | 6-13/16 | 19-9/16 | 9-3/16 | 55 lbs. |
| 24" | 436-24-A0-0120 | 33 | 12-1/4 | 8-15/16 | 25-9/16 | 9-3/16 | 63 lbs. |
| 30" | 436-30-A0-0120 | 39 | 12-15/16 | 11 | 31-5/8 | 9-3/16 | 71 lbs. |
| 36" | 436-36-A0-0120 | 45 | 13-11/16 | 13-1/8 | 37-5/8 | 9-3/16 | 79 lbs. |
| 42" | 436-42-A0-0120 | 51 | 14-3/8 | 15-3/16 | 43-9/16 | 9-3/16 | 88 lbs. |
| 48" | 436-48-A0-0120 | 57 | 15-1/16 | 17-1/4 | 49-5/8 | 9-3/16 | 96 lbs. |

| Belt Width | Assembly Part Number | 4396-35°-Troughing Idler Dimensions 6" dia. Rolls | | | | | Assembly Weight |
|------------|----------------------|---------------------------------------------------|----------|---------|----------|--------|-----------------|
| | | A | E | G | H | K | |
| 18" | 436-18-B0-0120 | 27 | 13-1/16 | 6-13/16 | 17-3/4 | 9-3/16 | 57 lbs. |
| 24" | 436-24-B0-0120 | 33 | 14-5/16 | 8-15/16 | 23-5/16 | 9-3/16 | 66 lbs. |
| 30" | 436-30-B0-0120 | 39 | 15-1/2 | 11 | 28-13/16 | 9-3/16 | 74 lbs. |
| 36" | 436-36-B0-0120 | 45 | 16-11/16 | 13-1/8 | 34-3/8 | 9-3/16 | 83 lbs. |
| 42" | 436-42-B0-0120 | 51 | 17-7/8 | 15-3/16 | 39-3/4 | 9-3/16 | 92 lbs. |
| 48" | 436-48-B0-0120 | 57 | 19-1/16 | 17-1/4 | 45-5/16 | 9-3/16 | 100 lbs. |

| Belt Width | Assembly Part Number | 4396-45°-Troughing Idler Dimensions 6" dia. Rolls | | | | | Assembly Weight |
|------------|----------------------|---------------------------------------------------|----------|---------|---------|--------|-----------------|
| | | A | E | G | H | K | |
| 18" | 436-18-C0-0120 | 27 | 13-15/16 | 6-13/16 | 16-3/16 | 9-3/16 | 58 lbs. |
| 24" | 436-24-C0-0120 | 33 | 15-7/16 | 8-15/16 | 21-1/4 | 9-3/16 | 67 lbs. |
| 30" | 436-30-C0-0120 | 39 | 16-15/16 | 11 | 26-1/4 | 9-3/16 | 76 lbs. |
| 36" | 436-36-C0-0120 | 45 | 18-3/8 | 13-1/8 | 31-5/16 | 9-3/16 | 85 lbs. |
| 42" | 436-42-C0-0120 | 51 | 19-7/8 | 15-3/16 | 36-5/16 | 9-3/16 | 93 lbs. |
| 48" | 436-48-C0-0120 | 57 | 21-7/16 | 17-1/4 | 41-3/8 | 9-3/16 | 102 lbs. |

STEPHENS-ADAMSON CONVEYING

www.Stephens-Adamson.com

CANADA
Telephone: 1-800-510-3802
Fax: 1-613-967-8128

U.S.A.
Telephone: 1-800-638-6788
Fax: 1-800-866-1438

INTERNATIONAL
Telephone: 1-613-962-3411
Fax: 1-613-967-8128

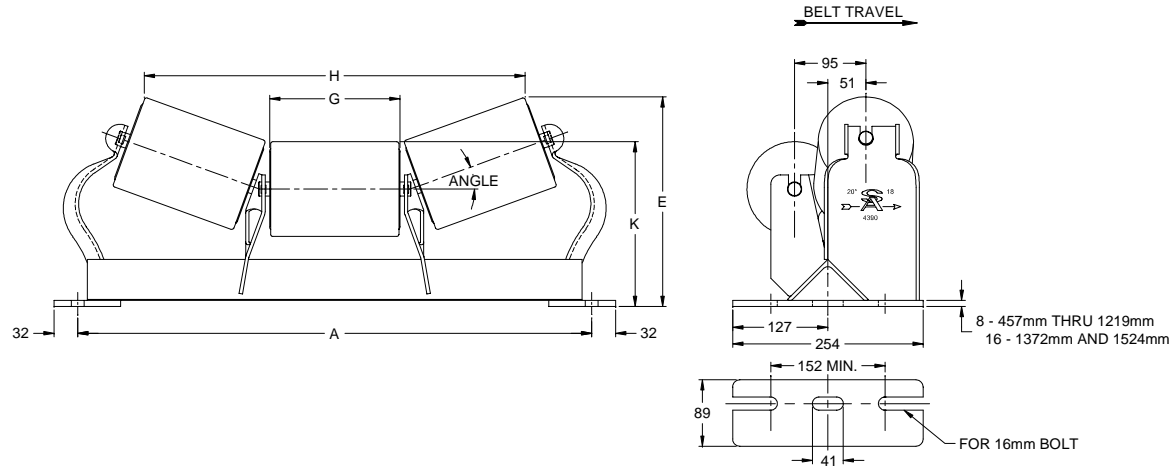
DS-E-IDL-00-081



STEPHENS-ADAMSON CONVEYING

Note: Dimensions for REFERENCE ONLY and are SUBJECT TO CHANGE WITHOUT NOTICE.
Contact Stephens-Adamson Conveying for Certified Dimensions Prints.

CEMA "C" 4390 Series Offset Idlers – Sealed for Life



'Dimensions in Millimeters'

| Belt Width | Assembly Part Number | 4395-20°-Troughing Idler Dimensions 127 mm dia. Rolls | | | | | Assembly Weight |
|------------|----------------------|----------------------------------------------------------|-----|-----|------|-----|-----------------|
| | | A | E | G | H | K | |
| 457 mm | 435-18-A0-0120 | 686 | 281 | 173 | 505 | 221 | 20 kg. |
| 610 mm | 435-24-A0-0120 | 838 | 298 | 227 | 659 | 221 | 24 kg. |
| 762 mm | 435-30-A0-0120 | 991 | 318 | 279 | 811 | 221 | 26 kg. |
| 914 mm | 435-36-A0-0120 | 1143 | 335 | 333 | 965 | 221 | 29 kg. |
| 1067 mm | 435-42-A0-0120 | 1295 | 352 | 386 | 1114 | 221 | 32 kg. |
| 1219 mm | 435-48-A0-0120 | 1448 | 371 | 438 | 1268 | 221 | 35 kg. |

| Belt Width | Assembly Part Number | 4395-35°-Troughing Idler Dimensions 127 mm dia. Rolls | | | | | Assembly Weight |
|------------|----------------------|----------------------------------------------------------|-----|-----|------|-----|-----------------|
| | | A | E | G | H | K | |
| 457 mm | 435-18-B0-0120 | 686 | 322 | 173 | 467 | 221 | 22 kg. |
| 610 mm | 435-24-B0-0120 | 838 | 352 | 227 | 606 | 221 | 25 kg. |
| 762 mm | 435-30-B0-0120 | 991 | 383 | 279 | 746 | 221 | 28 kg. |
| 914 mm | 435-36-B0-0120 | 1143 | 413 | 333 | 887 | 221 | 31 kg. |
| 1067 mm | 435-42-B0-0120 | 1295 | 443 | 386 | 1024 | 221 | 34 kg. |
| 1219 mm | 435-48-B0-0120 | 1448 | 473 | 438 | 1165 | 221 | 37 kg. |

| Belt Width | Assembly Part Number | 4395-45°-Troughing Idler Dimensions 127 mm dia. Rolls | | | | | Assembly Weight |
|------------|----------------------|----------------------------------------------------------|-----|-----|------|-----|-----------------|
| | | A | E | G | H | K | |
| 457 mm | 435-18-C0-0120 | 686 | 346 | 173 | 429 | 221 | 22 kg. |
| 610 mm | 435-24-C0-0120 | 838 | 383 | 227 | 557 | 221 | 25 kg. |
| 762 mm | 435-30-C0-0120 | 991 | 421 | 279 | 686 | 221 | 29 kg. |
| 914 mm | 435-36-C0-0120 | 1143 | 459 | 333 | 814 | 221 | 32 kg. |
| 1067 mm | 435-42-C0-0120 | 1295 | 495 | 386 | 940 | 221 | 34 kg. |
| 1219 mm | 435-48-C0-0120 | 1448 | 533 | 438 | 1068 | 221 | 38 kg. |

| Belt Width | Assembly Part Number | 4396-20°-Troughing Idler Dimensions 152 mm dia. Rolls | | | | | Assembly Weight |
|------------|----------------------|----------------------------------------------------------|-----|-----|------|-----|-----------------|
| | | A | E | G | H | K | |
| 457 mm | 436-18-A0-0120 | 686 | 292 | 173 | 497 | 233 | 25 kg. |
| 610 mm | 436-24-A0-0120 | 838 | 311 | 227 | 649 | 233 | 29 kg. |
| 762 mm | 436-30-A0-0120 | 991 | 329 | 279 | 803 | 233 | 32 kg. |
| 914 mm | 436-36-A0-0120 | 1143 | 348 | 333 | 956 | 233 | 36 kg. |
| 1067 mm | 436-42-A0-0120 | 1295 | 365 | 386 | 1106 | 233 | 40 kg. |
| 1219 mm | 436-48-A0-0120 | 1448 | 383 | 438 | 1260 | 233 | 44 kg. |

| Belt Width | Assembly Part Number | 4396-35°-Troughing Idler Dimensions 152 mm dia. Rolls | | | | | Assembly Weight |
|------------|----------------------|----------------------------------------------------------|-----|-----|------|-----|-----------------|
| | | A | E | G | H | K | |
| 457 mm | 436-18-B0-0120 | 686 | 332 | 173 | 451 | 233 | 26 kg. |
| 610 mm | 436-24-B0-0120 | 838 | 364 | 227 | 592 | 233 | 30 kg. |
| 762 mm | 436-30-B0-0120 | 991 | 394 | 279 | 732 | 233 | 34 kg. |
| 914 mm | 436-36-B0-0120 | 1143 | 424 | 333 | 873 | 233 | 38 kg. |
| 1067 mm | 436-42-B0-0120 | 1295 | 454 | 386 | 1010 | 233 | 42 kg. |
| 1219 mm | 436-48-B0-0120 | 1448 | 484 | 438 | 1151 | 233 | 45 kg. |

| Belt Width | Assembly Part Number | 4396-45°-Troughing Idler Dimensions 152 mm dia. Rolls | | | | | Assembly Weight |
|------------|----------------------|----------------------------------------------------------|-----|-----|------|-----|-----------------|
| | | A | E | G | H | K | |
| 457 mm | 436-18-C0-0120 | 686 | 354 | 173 | 411 | 233 | 26 kg. |
| 610 mm | 436-24-C0-0120 | 838 | 392 | 227 | 540 | 233 | 30 kg. |
| 762 mm | 436-30-C0-0120 | 991 | 430 | 279 | 667 | 233 | 34 kg. |
| 914 mm | 436-36-C0-0120 | 1143 | 467 | 333 | 795 | 233 | 39 kg. |
| 1067 mm | 436-42-C0-0120 | 1295 | 505 | 386 | 922 | 233 | 42 kg. |
| 1219 mm | 436-48-C0-0120 | 1448 | 545 | 438 | 1051 | 233 | 46 kg. |

STEPHENS-ADAMSON CONVEYING

www.Stephens-Adamson.com

CANADA
Telephone: 1-800-510-3802
Fax: 1-613-967-8128

U.S.A.
Telephone: 1-800-638-6788
Fax: 1-800-866-1438

INTERNATIONAL
Telephone: 1-613-962-3411
Fax: 1-613-967-8128

DS-E-IDL-00-081