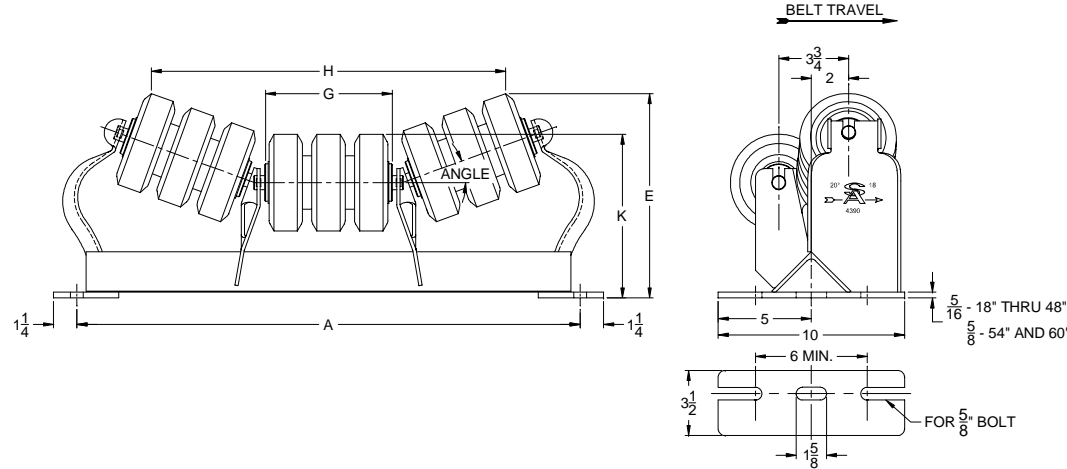




# STEPHENS-ADAMSON CONVEYING

Note: Dimensions for REFERENCE ONLY and are SUBJECT TO CHANGE WITHOUT NOTICE.  
Contact Stephens-Adamson Conveying for Certified Dimensions Prints.

## CEMA "C" 4390 Series Offset Impact Idlers – Sealed for Life



*'Dimensions in Inches'*

Belt Width	Assembly Part Number	R711-4395-20°-Impact Troughing Idler Dimensions 5-3/16" dia. Rolls					Assembly Weight
		A	E	G	H	K	
18"	435-18-AM-0120	27	11	6-7/8	19	8-13/16	45 lbs.
24"	435-24-AM-0120	33	11-11/16	8-15/16	25	8-13/16	53 lbs.
30"	435-30-AM-0120	39	13-7/16	11	31-1/16	8-13/16	61 lbs.
36"	435-36-AM-0120	45	13-1/8	13-1/8	37-1/16	8-13/16	71 lbs.
42"	435-42-AM-0120	51	13-13/16	15-3/16	43	8-13/16	80 lbs.
48"	435-48-AM-0120	57	14-9/16	17-1/4	49-1/16	8-13/16	88 lbs.

Belt Width	Assembly Part Number	R711-4395-35°-Impact Troughing Idler Dimensions 5-3/16" dia. Rolls					Assembly Weight
		A	E	G	H	K	
18"	435-18-BM-0120	27	12-2	6-7/8	17-1/2	8-13/16	48 lbs.
24"	435-24-BM-0120	33	13-11/16	8-15/16	23-1/16	8-13/16	56 lbs.
30"	435-30-BM-0120	39	14-7/8	11	28-9/16	8-13/16	64 lbs.
36"	435-36-BM-0120	45	16-1/16	13-1/8	34	8-13/16	75 lbs.
42"	435-42-BM-0120	51	17-7/50	15-3/16	39-1/2	8-13/16	84 lbs.
48"	435-48-BM-0120	57	18-1/2	17-1/4	45-1/16	8-13/16	92 lbs.

Belt Width	Assembly Part Number	R711-4395-45°-Impact Troughing Idler Dimensions 5-3/16" dia. Rolls					Assembly Weight
		A	E	G	H	K	
18"	435-18-CM-0120	27	13-3/8	6-7/8	16-1/8	8-13/16	49 lbs.
24"	435-24-CM-0120	33	14-13/16	8-15/16	21-3/16	8-13/16	57 lbs.
30"	435-30-CM-0120	39	16-5/16	11	26-1/4	8-13/16	66 lbs.
36"	435-36-CM-0120	45	17-13/16	13-1/8	31-1/4	8-13/16	77 lbs.
42"	435-42-CM-0120	51	19-1/4	15-3/16	36-1/4	8-13/16	85 lbs.
48"	435-48-CM-0120	57	20-3/4	17-1/4	41-5/16	8-13/16	94 lbs.

Belt Width	Assembly Part Number	R711-4396-20°-Impact Troughing Idler Dimensions 6-3/16" dia. Rolls					Assembly Weight
		A	E	G	H	K	
18"	436-18-AM-0120	27	11-7/16	6-7/8	18-11/16	9-5/16	49 lbs.
24"	436-24-AM-0120	33	12-3/16	8-15/16	24-11/16	9-5/16	59 lbs.
30"	436-30-AM-0120	39	12-7/8	11	30-11/16	9-5/16	68 lbs.
36"	436-36-AM-0120	45	13-5/8	13-1/8	36-3/4	9-5/16	80 lbs.
42"	436-42-AM-0120	51	14-5/16	15-3/16	42-11/16	9-5/16	90 lbs.
48"	436-48-AM-0120	57	15	17-1/4	48-11/16	9-5/16	100 lbs.

Belt Width	Assembly Part Number	R711-4396-35°-Impact Troughing Idler Dimensions 6-3/16" dia. Rolls					Assembly Weight
		A	E	G	H	K	
18"	436-18-BM-0120	27	12-7/8	6-7/8	16-15/16	9-5/16	52 lbs.
24"	436-24-BM-0120	33	14-1/8	8-15/16	22-1/2	9-5/16	63 lbs.
30"	436-30-BM-0120	39	15-5/16	11	28	9-5/16	72 lbs.
36"	436-36-BM-0120	45	16-1/2	13-1/8	33-7/16	9-5/16	84 lbs.
42"	436-42-BM-0120	51	17-11/16	15-3/16	38-15/16	9-5/16	94 lbs.
48"	436-48-BM-0120	57	18-7/8	17-1/4	44-1/2	9-5/16	104 lbs.

Belt Width	Assembly Part Number	R711-4396-45°-Impact Troughing Idler Dimensions 6-3/16" dia. Rolls					Assembly Weight
		A	E	G	H	K	
18"	436-18-CM-0120	27	13-13/16	6-7/8	15-5/8	9-5/16	53 lbs.
24"	436-24-CM-0120	33	15-1/4	8-15/16	20-5/8	9-5/16	64 lbs.
30"	436-30-CM-0120	39	16-3/4	11	25-11/16	9-5/16	73 lbs.
36"	436-36-CM-0120	45	18-6/25	13-1/8	30-3/4	9-5/16	86 lbs.
42"	436-42-CM-0120	51	19-11/16	15-3/16	35-3/4	9-5/16	96 lbs.
48"	436-48-CM-0120	57	21-3/16	17-1/4	40-13/16	9-5/16	106 lbs.

### STEPHENS-ADAMSON CONVEYING

www.Stephens-Adamson.com

CANADA  
Telephone: 1-800-510-3802  
Fax: 1-613-967-8128

U.S.A.  
Telephone: 1-800-638-6788  
Fax: 1-800-866-1438

INTERNATIONAL  
Telephone: 1-613-962-3411  
Fax: 1-613-967-8128

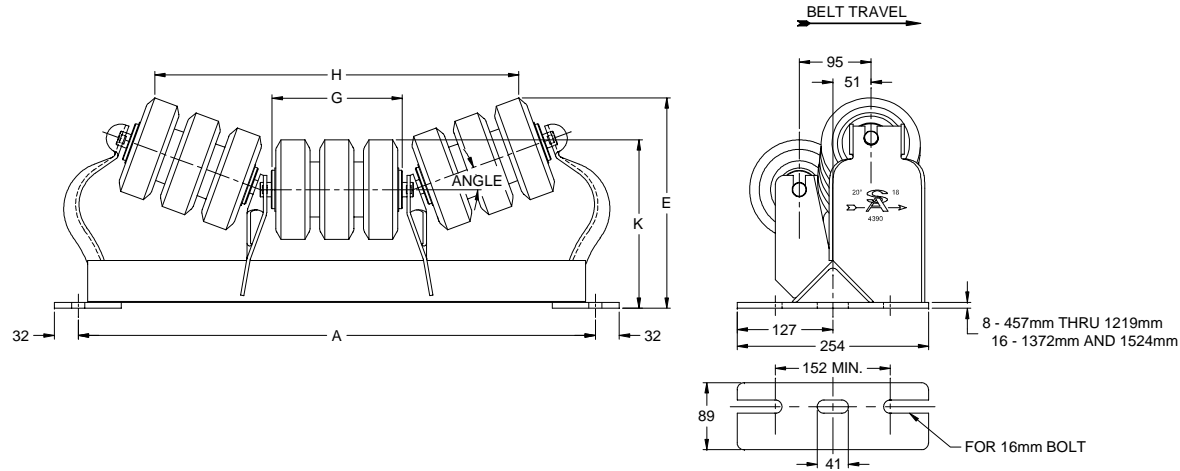
DS-E-IDL-00-082



# STEPHENS-ADAMSON CONVEYING

Note: Dimensions for REFERENCE ONLY and are SUBJECT TO CHANGE WITHOUT NOTICE.  
Contact Stephens-Adamson Conveying for Certified Dimensions Prints.

## CEMA "C" 4390 Series Offset Impact Idlers – Sealed for Life



'Dimensions in Millimeters'

Belt Width	Assembly Part Number	R711-4395-20°-Impact Troughing Idler Dimensions 132 mm dia. Rolls					Assembly Weight
		A	E	G	H	K	
457 mm	435-18-AM-0120	686	279	175	483	224	20 kg.
610 mm	435-24-AM-0120	838	297	227	635	224	24 kg.
762 mm	435-30-AM-0120	991	341	279	789	224	28 kg.
914 mm	435-36-AM-0120	1143	333	333	941	224	32 kg.
1067 mm	435-42-AM-0120	1295	351	386	1092	224	36 kg.
1219 mm	435-48-AM-0120	1448	370	438	1246	224	40 kg.

Belt Width	Assembly Part Number	R711-4395-35°-Impact Troughing Idler Dimensions 132 mm dia. Rolls					Assembly Weight
		A	E	G	H	K	
457 mm	435-18-BM-0120	686	318	175	445	224	22 kg.
610 mm	435-24-BM-0120	838	348	227	586	224	25 kg.
762 mm	435-30-BM-0120	991	378	279	725	224	29 kg.
914 mm	435-36-BM-0120	1143	408	333	864	224	34 kg.
1067 mm	435-42-BM-0120	1295	435	386	1003	224	38 kg.
1219 mm	435-48-BM-0120	1448	470	438	1145	224	42 kg.

Belt Width	Assembly Part Number	R711-4395-45°-Impact Troughing Idler Dimensions 132 mm dia. Rolls					Assembly Weight
		A	E	G	H	K	
457 mm	435-18-CM-0120	686	340	175	410	224	22 kg.
610 mm	435-24-CM-0120	838	376	227	538	224	26 kg.
762 mm	435-30-CM-0120	991	414	279	667	224	30 kg.
914 mm	435-36-CM-0120	1143	452	333	794	224	35 kg.
1067 mm	435-42-CM-0120	1295	489	386	921	224	39 kg.
1219 mm	435-48-CM-0120	1448	527	438	1049	224	43 kg.

Belt Width	Assembly Part Number	R711-4396-20°-Impact Troughing Idler Dimensions 157 mm dia. Rolls					Assembly Weight
		A	E	G	H	K	
457 mm	436-18-AM-0120	686	291	175	475	237	22 kg.
610 mm	436-24-AM-0120	838	310	227	627	237	27 kg.
762 mm	436-30-AM-0120	991	327	279	779	237	31 kg.
914 mm	436-36-AM-0120	1143	346	333	933	237	36 kg.
1067 mm	436-42-AM-0120	1295	364	386	1084	237	41 kg.
1219 mm	436-48-AM-0120	1448	381	438	1237	237	45 kg.

Belt Width	Assembly Part Number	R711-4396-35°-Impact Troughing Idler Dimensions 157 mm dia. Rolls					Assembly Weight
		A	E	G	H	K	
457 mm	436-18-BM-0120	686	327	175	430	237	24 kg.
610 mm	436-24-BM-0120	838	359	227	572	237	29 kg.
762 mm	436-30-BM-0120	991	389	279	711	237	33 kg.
914 mm	436-36-BM-0120	1143	419	333	849	237	38 kg.
1067 mm	436-42-BM-0120	1295	449	386	989	237	43 kg.
1219 mm	436-48-BM-0120	1448	479	438	1130	237	47 kg.

Belt Width	Assembly Part Number	R711-4396-45°-Impact Troughing Idler Dimensions 157 mm dia. Rolls					Assembly Weight
		A	E	G	H	K	
457 mm	436-18-CM-0120	686	351	175	397	237	24 kg.
610 mm	436-24-CM-0120	838	387	227	524	237	29 kg.
762 mm	436-30-CM-0120	991	425	279	652	237	33 kg.
914 mm	436-36-CM-0120	1143	463	333	781	237	39 kg.
1067 mm	436-42-CM-0120	1295	500	386	908	237	44 kg.
1219 mm	436-48-CM-0120	1448	538	438	1037	237	48 kg.

### STEPHENS-ADAMSON CONVEYING

www.Stephens-Adamson.com

CANADA  
Telephone: 1-800-510-3802  
Fax: 1-613-967-8128

U.S.A.  
Telephone: 1-800-638-6788  
Fax: 1-800-866-1438

INTERNATIONAL  
Telephone: 1-613-962-3411  
Fax: 1-613-967-8128

DS-E-IDL-00-082