

'Dimensions in Inches'

Belt Width	Assembly Part Number	4395-20° ST-PA- Troughing Idler Dimensions 5" dia. Rolls					Assembly Weight
		A	G	K	L	M	
18"	435-18-AT-0120	27	6-13/16	9-7/8	22-3/16	14-15/16	111 lbs.
24"	435-24-AT-0120	33	8-15/16	9-7/8	28-1/4	15-5/8	123 lbs.
30"	435-30-AT-0120	39	11	9-7/8	34-1/4	16-3/8	138 lbs.
36"	435-36-AT-0120	45	13-1/8	9-7/8	40-1/4	17-1/16	149 lbs.
42"	435-42-AT-0120	51	15-3/16	9-7/8	46-1/4	17-3/4	161 lbs.
48"	435-48-AT-0120	57	17-1/4	9-7/8	52-1/4	18-1/2	195 lbs.

Belt Width	Assembly Part Number	4396-20° ST-PA- Troughing Idler Dimensions 6" dia. Rolls					Assembly Weight
		A	G	K	L	M	
18"	436-18-AT-0120	27	6-13/16	10-3/8	22-3/16	14-15/16	121 lbs.
24"	436-24-AT-0120	33	8-15/16	10-3/8	28-1/4	15-5/8	134 lbs.
30"	436-30-AT-0120	39	11	10-3/8	34-1/4	16-3/8	150 lbs.
36"	436-36-AT-0120	45	13-1/8	10-3/8	40-1/4	17-1/16	164 lbs.
42"	436-42-AT-0120	51	15-3/16	10-3/8	46-1/4	17-3/4	178 lbs.
48"	436-48-AT-0120	57	17-1/4	10-3/8	52-1/4	18-1/2	214 lbs.

Belt Width	Assembly Part Number	4395-35° ST-PA- Troughing Idler Dimensions 5" dia. Rolls					Assembly Weight
		A	G	K	L	M	
18"	435-18-BT-0120	27	6-13/16	9-7/8	19-3/16	16-3/4	114 lbs.
24"	435-24-BT-0120	33	8-15/16	9-7/8	24-11/16	17-15/16	125 lbs.
30"	435-30-BT-0120	39	11	9-7/8	30-1/4	19-1/8	140 lbs.
36"	435-36-BT-0120	45	13-1/8	9-7/8	35-3/4	20-5/16	152 lbs.
42"	435-42-BT-0120	51	15-3/16	9-7/8	41-3/16	21-1/2	164 lbs.
48"	435-48-BT-0120	57	17-1/4	9-7/8	46-3/4	22-3/4	199 lbs.

Belt Width	Assembly Part Number	4396-35° ST-PA- Troughing Idler Dimensions 6" dia. Rolls					Assembly Weight
		A	G	K	L	M	
18"	436-18-BT-0120	27	6-13/16	10-3/8	19-3/16	16-3/4	123 lbs.
24"	436-24-BT-0120	33	8-15/16	10-3/8	24-11/16	17-15/16	136 lbs.
30"	436-30-BT-0120	39	11	10-3/8	30-1/4	19-1/8	153 lbs.
36"	436-36-BT-0120	45	13-1/8	10-3/8	35-3/4	20-5/16	167 lbs.
42"	436-42-BT-0120	51	15-3/16	10-3/8	41-3/16	21-1/2	181 lbs.
48"	436-48-BT-0120	57	17-1/4	10-3/8	46-3/4	22-3/4	217 lbs.

Belt Width	Assembly Part Number	4395-45° ST-PA- Troughing Idler Dimensions 5" dia. Rolls					Assembly Weight
		A	G	K	L	M	
18"	435-18-CT-0120	27	6-13/16	9-7/8	16-11/16	17-11/16	115 lbs.
24"	435-24-CT-0120	33	8-15/16	9-7/8	21-3/4	19-3/16	127 lbs.
30"	435-30-CT-0120	39	11	9-7/8	26-3/4	20-11/16	142 lbs.
36"	435-36-CT-0120	45	13-1/8	9-7/8	31-7/8	22-1/8	154 lbs.
42"	435-42-CT-0120	51	15-3/16	9-7/8	36-13/16	23-9/16	166 lbs.
48"	435-48-CT-0120	57	17-1/4	9-7/8	41-7/8	25-1/16	201 lbs.

Belt Width	Assembly Part Number	4396-45° ST-PA- Troughing Idler Dimensions 6" dia. Rolls					Assembly Weight
		A	G	K	L	M	
18"	436-18-CT-0120	27	6-13/16	10-3/8	16-11/16	17-11/16	125 lbs.
24"	436-24-CT-0120	33	8-15/16	10-3/8	21-3/4	19-3/16	138 lbs.
30"	436-30-CT-0120	39	11	10-3/8	26-3/4	20-11/16	155 lbs.
36"	436-36-CT-0120	45	13-1/8	10-3/8	31-7/8	22-1/8	169 lbs.
42"	436-42-CT-0120	51	15-3/16	10-3/8	36-13/16	23-9/16	183 lbs.
48"	436-48-CT-0120	57	17-1/4	10-3/8	41-7/8	25-1/16	220 lbs.

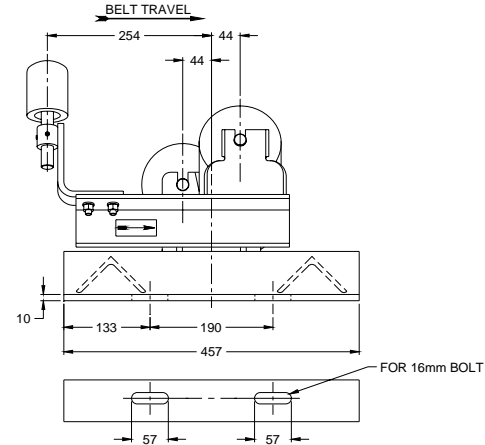
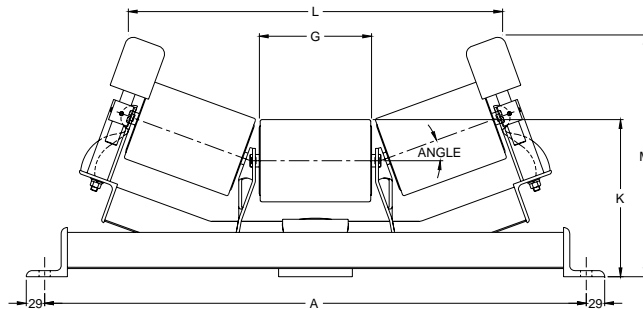


**STEPHENS-ADAMSON CONVEYOR COMPONENTS**  
www.Stephens-Adamson.com

CANADA  
Telephone: 1-800-510-3802  
Fax: 1-613-967-8128

U.S.A.  
Telephone: 1-800-638-6788  
Fax: 1-800-866-1438

INTERNATIONAL  
Telephone: 1-613-962-3411  
Fax: 1-613-967-8128



'Dimensions in Millimeters'

Belt Width	Assembly Part Number	4395-20° ST-PA- Troughing Idler Dimensions 127 mm dia. Rolls					Assembly Weight
		A	G	K	L	M	
457 mm	435-18-AT-0120	686	173	251	564	379	50 kg.
610 mm	435-24-AT-0120	838	227	251	718	397	56 kg.
762 mm	435-30-AT-0120	991	279	251	870	416	63 kg.
914 mm	435-36-AT-0120	1143	333	251	1022	433	68 kg.
1067 mm	435-42-AT-0120	1295	386	251	1175	451	73 kg.
1219 mm	435-48-AT-0120	1448	438	251	1327	470	88 kg.

Belt Width	Assembly Part Number	4396-20° ST-PA- Troughing Idler Dimensions 152 mm dia. Rolls					Assembly Weight
		A	G	K	L	M	
457 mm	436-18-AT-0120	686	173	264	564	379	55 kg.
610 mm	436-24-AT-0120	838	227	264	718	397	61 kg.
762 mm	436-30-AT-0120	991	279	264	870	416	68 kg.
914 mm	436-36-AT-0120	1143	333	264	1022	433	74 kg.
1067 mm	436-42-AT-0120	1295	386	264	1175	451	81 kg.
1219 mm	436-48-AT-0120	1448	438	264	1327	470	97 kg.

Belt Width	Assembly Part Number	4395-35° ST-PA- Troughing Idler Dimensions 127 mm dia. Rolls					Assembly Weight
		A	G	K	L	M	
457 mm	435-18-BT-0120	686	173	251	487	425	52 kg.
610 mm	435-24-BT-0120	838	227	251	627	456	57 kg.
762 mm	435-30-BT-0120	991	279	251	768	486	64 kg.
914 mm	435-36-BT-0120	1143	333	251	908	516	69 kg.
1067 mm	435-42-BT-0120	1295	386	251	1046	546	74 kg.
1219 mm	435-48-BT-0120	1448	438	251	1187	578	90 kg.

Belt Width	Assembly Part Number	4396-35° ST-PA- Troughing Idler Dimensions 152 mm dia. Rolls					Assembly Weight
		A	G	K	L	M	
457 mm	436-18-BT-0120	686	173	264	487	425	56 kg.
610 mm	436-24-BT-0120	838	227	264	627	456	62 kg.
762 mm	436-30-BT-0120	991	279	264	768	486	69 kg.
914 mm	436-36-BT-0120	1143	333	264	908	516	76 kg.
1067 mm	436-42-BT-0120	1295	386	264	1046	546	82 kg.
1219 mm	436-48-BT-0120	1448	438	264	1187	578	98 kg.

Belt Width	Assembly Part Number	4395-45° ST-PA- Troughing Idler Dimensions 127 mm dia. Rolls					Assembly Weight
		A	G	K	L	M	
457 mm	435-18-CT-0120	686	173	251	424	449	52 kg.
610 mm	435-24-CT-0120	838	227	251	552	487	58 kg.
762 mm	435-30-CT-0120	991	279	251	679	525	64 kg.
914 mm	435-36-CT-0120	1143	333	251	810	562	70 kg.
1067 mm	435-42-CT-0120	1295	386	251	935	598	75 kg.
1219 mm	435-48-CT-0120	1448	438	251	1064	637	91 kg.

Belt Width	Assembly Part Number	4396-45° ST-PA- Troughing Idler Dimensions 152 mm dia. Rolls					Assembly Weight
		A	G	K	L	M	
457 mm	436-18-CT-0120	686	173	264	424	449	57 kg.
610 mm	436-24-CT-0120	838	227	264	552	487	63 kg.
762 mm	436-30-CT-0120	991	279	264	679	525	70 kg.
914 mm	436-36-CT-0120	1143	333	264	810	562	77 kg.
1067 mm	436-42-CT-0120	1295	386	264	935	598	83 kg.
1219 mm	436-48-CT-0120	1448	438	264	1064	637	100 kg.



**STEPHENS-ADAMSON CONVEYOR COMPONENTS**  
www.Stephens-Adamson.com

CANADA  
Telephone: 1-800-510-3802  
Fax: 1-613-967-8128

U.S.A.  
Telephone: 1-800-638-6788  
Fax: 1-800-866-1438

INTERNATIONAL  
Telephone: 1-613-962-3411  
Fax: 1-613-967-8128