

'Dimensions in Inches'

Belt Width	Assembly Part Number	4395- 4-1/2"-ST-PA Return Idler Dimensions 5" dia. Rolls		Assembly Weight
		A	G	
18"	435-18-64-0120	27	23-1/4	102 lbs.
24"	435-24-64-0120	33	29-1/4	114 lbs.
30"	435-30-64-0120	39	35-1/4	126 lbs.
36"	435-36-64-0120	45	41-1/4	146 lbs.
42"	435-42-64-0120	51	47-1/4	158 lbs.
48"	435-48-64-0120	57	53-1/4	170 lbs.

Belt Width	Assembly Part Number	4396- 4-1/2"-ST-PA Return Idler Dimensions 6" dia. Rolls		Assembly Weight
		A	G	
18"	436-18-64-0120	27	23-1/4	111 lbs.
24"	436-24-64-0120	33	29-1/4	124 lbs.
30"	436-30-64-0120	39	35-1/4	138 lbs.
36"	436-36-64-0120	45	41-1/4	160 lbs.
42"	436-42-64-0120	51	47-1/4	174 lbs.
48"	436-48-64-0120	57	53-1/4	188 lbs.

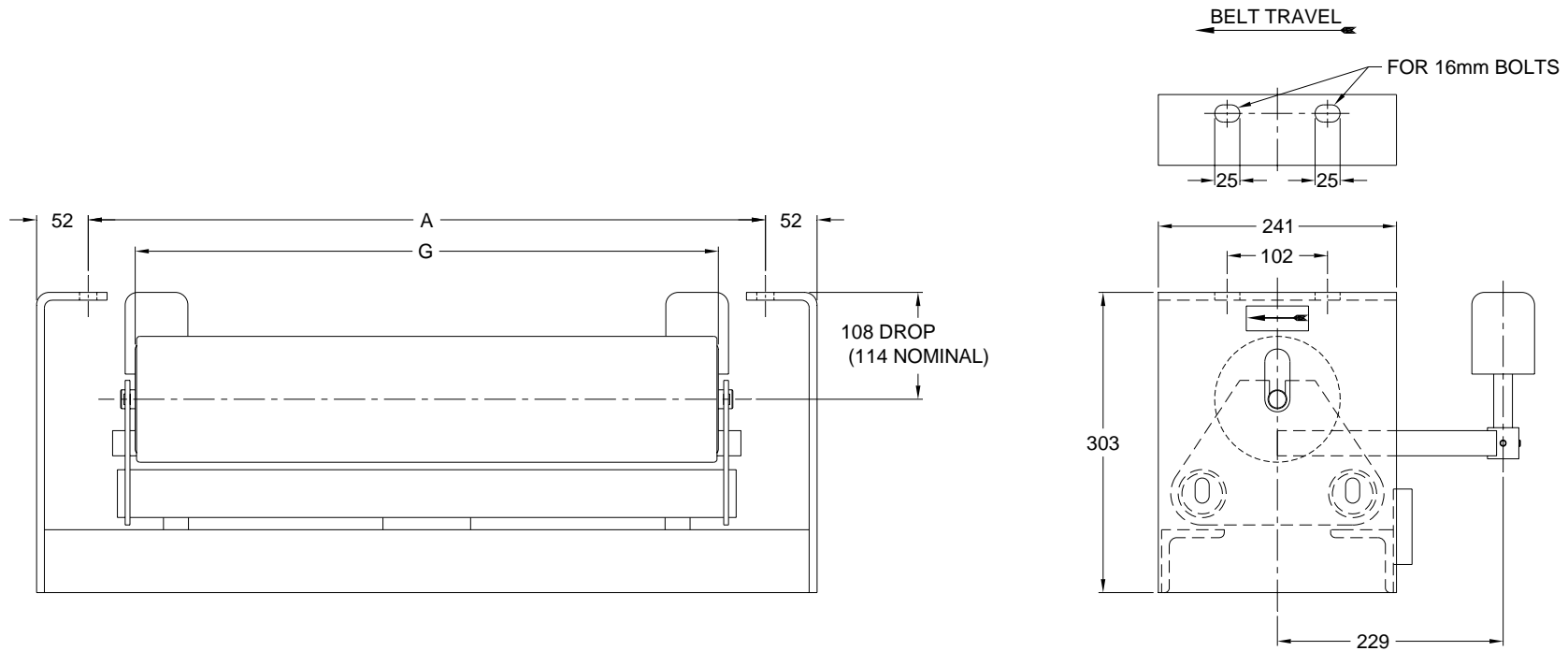


STEPHENS-ADAMSON CONVEYOR COMPONENTS
www.Stephens-Adams.com

CANADA
Telephone: 1-800-510-3802
Fax: 1-613-967-8128

U.S.A.
Telephone: 1-800-638-6788
Fax: 1-800-866-1438

INTERNATIONAL
Telephone: 1-613-962-3411
Fax: 1-613-967-8128



'Dimensions in Millimeters'

Belt Width	Assembly Part Number	4395-114 mm-ST-PA Return Idler Dimensions 127 mm dia. Rolls		Assembly Weight
		A	G	
457 mm	435-18-64-0120	686	591	46 kg.
610 mm	435-24-64-0120	838	743	52 kg.
762 mm	435-30-64-0120	991	895	57 kg.
914 mm	435-36-64-0120	1143	1048	66 kg.
1067 mm	435-42-64-0120	1295	1200	72 kg.
1219 mm	435-48-64-0120	1448	1353	77 kg.

Belt Width	Assembly Part Number	4396-114 mm-ST-PA Return Idler Dimensions 152 mm dia. Rolls		Assembly Weight
		A	G	
457 mm	436-18-64-0120	686	591	50 kg.
610 mm	436-24-64-0120	838	743	56 kg.
762 mm	436-30-64-0120	991	895	63 kg.
914 mm	436-36-64-0120	1143	1048	73 kg.
1067 mm	436-42-64-0120	1295	1200	79 kg.
1219 mm	436-48-64-0120	1448	1353	85 kg.



STEPHENS-ADAMSON CONVEYOR COMPONENTS
www.Stephens-Adams.com

CANADA
Telephone: 1-800-510-3802
Fax: 1-613-967-8128

U.S.A.
Telephone: 1-800-638-6788
Fax: 1-800-866-1438

INTERNATIONAL
Telephone: 1-613-962-3411
Fax: 1-613-967-8128