

'Dimensions in Inches'

Belt Width	Assembly Part Number	R710-4395- 4-1/2"-ST-PA Rubber Disc Return Idler Dimensions 5" dia. Rolls		Assembly Weight
		A	G	
18"	435-18-65-0120	27	23-1/4	105 lbs.
24"	435-24-65-0120	33	29-1/4	117 lbs.
30"	435-30-65-0120	39	35-1/4	128 lbs.
36"	435-36-65-0120	45	41-1/4	147 lbs.
42"	435-42-65-0120	51	47-1/4	158 lbs.
48"	435-48-65-0120	57	53-1/4	170 lbs.

Belt Width	Assembly Part Number	R710-4396- 4-1/2"-ST-PA Rubber Disc Return Idler Dimensions 6" dia. Rolls		Assembly Weight
		A	G	
18"	436-18-65-0120	27	23-1/4	111 lbs.
24"	436-24-65-0120	33	29-1/4	122 lbs.
30"	436-30-65-0120	39	35-1/4	134 lbs.
36"	436-36-65-0120	45	41-1/4	153 lbs.
42"	436-42-65-0120	51	47-1/4	165 lbs.
48"	436-48-65-0120	57	53-1/4	177 lbs.

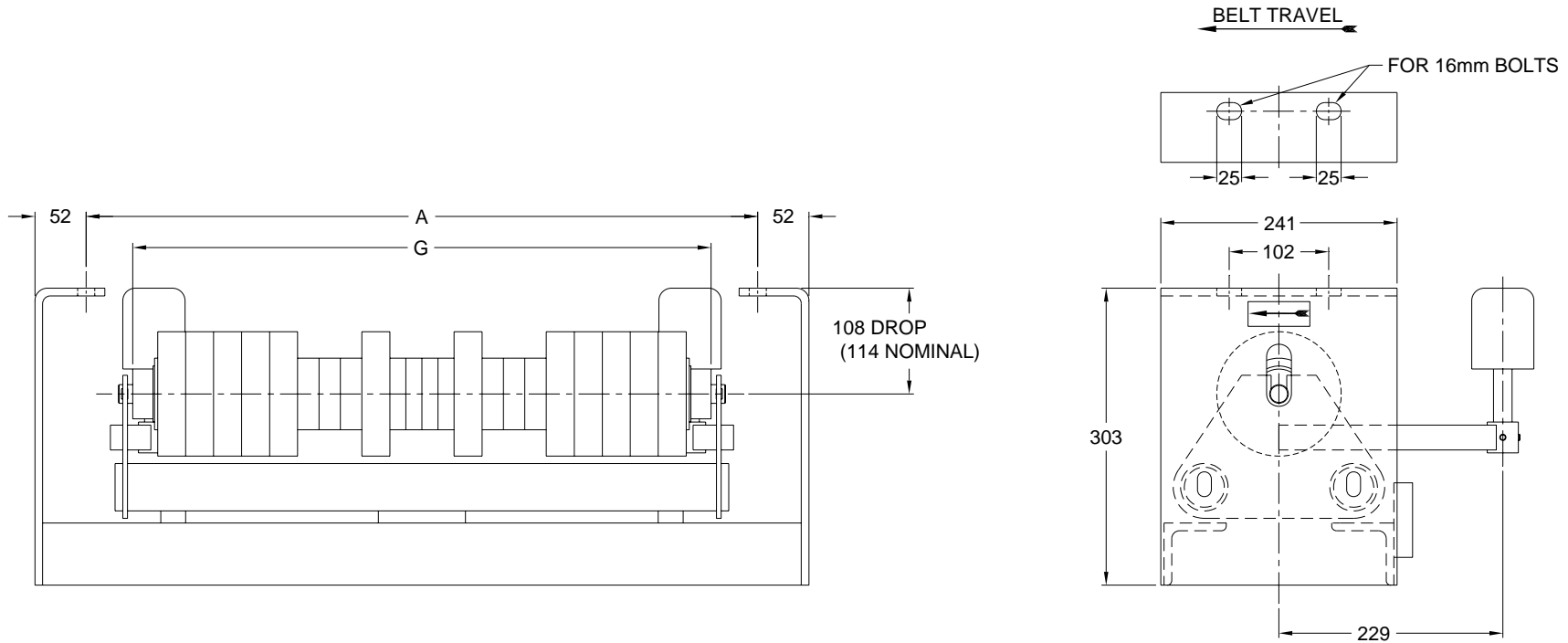


**STEPHENS-ADAMSON CONVEYOR COMPONENTS**  
www.Stephens-Adams.com

CANADA  
Telephone: 1-800-510-3802  
Fax: 1-613-967-8128

U.S.A.  
Telephone: 1-800-638-6788  
Fax: 1-800-866-1438

INTERNATIONAL  
Telephone: 1-613-962-3411  
Fax: 1-613-967-8128



'Dimensions in Millimeters'

Belt Width	Assembly Part Number	R710-4395- 114 mm-ST-PA Rubber Disc Return Idler Dimensions 127 mm dia. Rolls		Assembly Weight
		A	G	
457 mm	435-18-65-0120	686	591	48 kg.
610 mm	435-24-65-0120	838	743	53 kg.
762 mm	435-30-65-0120	991	895	58 kg.
914 mm	435-36-65-0120	1143	1048	67 kg.
1067 mm	435-42-65-0120	1295	1200	72 kg.
1219 mm	435-48-65-0120	1448	1353	77 kg.

Belt Width	Assembly Part Number	R710-4396-114 mm-ST-PA Rubber Disc Return Idler Dimensions 152 mm dia. Rolls		Assembly Weight
		A	G	
457 mm	436-18-65-0120	686	591	50 kg.
610 mm	436-24-65-0120	838	743	55 kg.
762 mm	436-30-65-0120	991	895	61 kg.
914 mm	436-36-65-0120	1143	1048	69 kg.
1067 mm	436-42-65-0120	1295	1200	75 kg.
1219 mm	436-48-65-0120	1448	1353	80 kg.



**STEPHENS-ADAMSON CONVEYOR COMPONENTS**  
www.Stephens-Adams.com

CANADA  
Telephone: 1-800-510-3802  
Fax: 1-613-967-8128

U.S.A.  
Telephone: 1-800-638-6788  
Fax: 1-800-866-1438

INTERNATIONAL  
Telephone: 1-613-962-3411  
Fax: 1-613-967-8128