

'Dimensions in Inches'

Belt Width	Assembly Part Number	R710-4395-10°-Rubber Disc V Return Idler Dimensions 5" dia. Rolls				Assembly Weight
		A	G	K	R	
18"	435-18-G8-0120	27	11	6-1/4	14-3/8	54 lbs.
24"	435-24-G8-0120	33	13-1/8	6-3/4	14-7/8	60 lbs.
30"	435-30-G8-0120	39	17-1/4	7-1/2	15-5/8	68 lbs.
36"	435-36-G8-0120	45	19-5/16	7-7/8	16-1/8	76 lbs.
42"	435-42-G8-0120	51	23-1/4	8-1/2	16-3/4	84 lbs.
48"	435-48-G8-0120	57	26-1/4	9	17-1/2	97 lbs.

Belt Width	Assembly Part Number	R710-4396-10°-Rubber Disc V Return Idler Dimensions 6" dia. Rolls				Assembly Weight
		A	G	K	R	
18"	436-18-G8-0120	27	11	5-3/4	14-3/8	55 lbs.
24"	436-24-G8-0120	33	13-1/8	6-1/4	14-7/8	62 lbs.
30"	436-30-G8-0120	39	17-1/4	7	15-5/8	70 lbs.
36"	436-36-G8-0120	45	19-5/16	7-3/8	16-1/8	78 lbs.
42"	436-42-G8-0120	51	23-1/4	8	16-3/4	86 lbs.
48"	436-48-G8-0120	57	26-1/4	8-1/2	17-1/2	98 lbs.



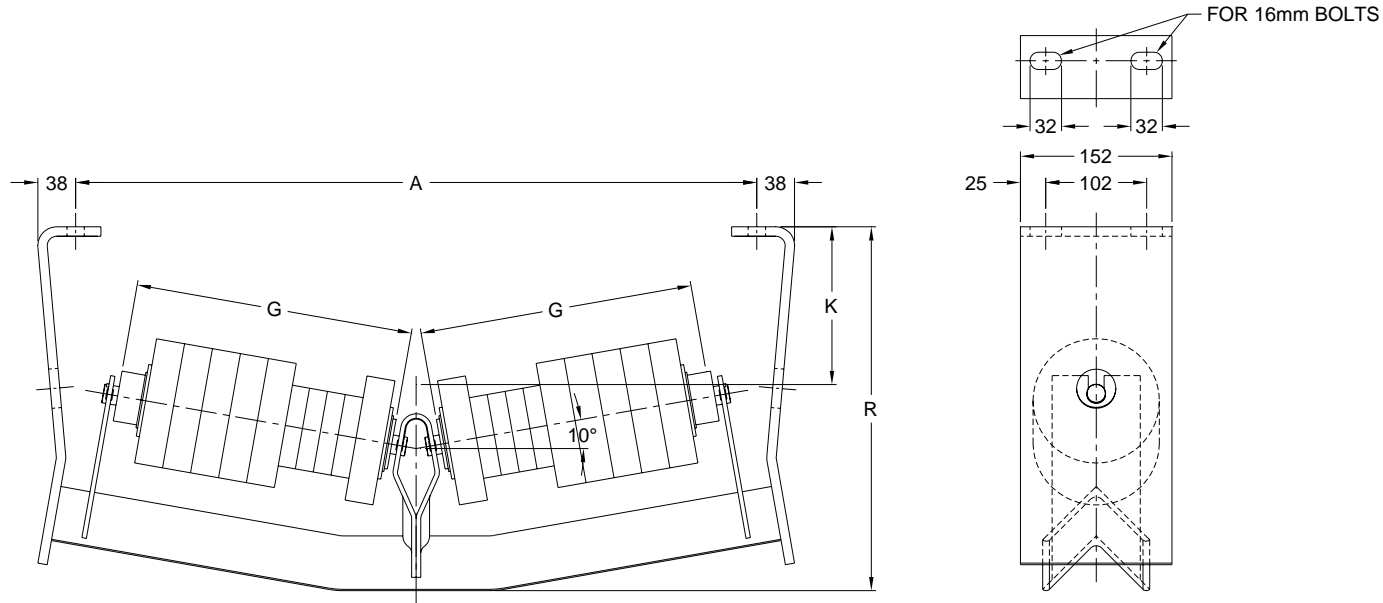
STEPHENS-ADAMSON CONVEYOR COMPONENTS
www.Stephens-Adamson.com

CANADA
Telephone: 1-800-510-3802
Fax: 1-613-967-8128

U.S.A.
Telephone: 1-800-638-6788
Fax: 1-800-866-1438

INTERNATIONAL
Telephone: 1-613-962-3411
Fax: 1-613-967-8128

CEMA "C" 4390 Series Rubber Disc 10° V Return Idlers - Sealed



Dimensions in Millimeters'

Belt Width	Assembly Part Number	R710-4395-10°-Rubber Disc V Return Idler Dimensions 127 mm dia. Rolls				Assembly Weight
		A	G	K	R	
457 mm	435-18-G8-0120	686	280	159	367	24 kg.
610 mm	435-24-G8-0120	838	333	171	379	27 kg.
762 mm	435-30-G8-0120	991	439	191	398	31 kg.
914 mm	435-36-G8-0120	1143	491	200	408	34 kg.
1067 mm	435-42-G8-0120	1295	591	216	424	38 kg.
1219 mm	435-48-G8-0120	1448	667	229	446	43 kg.

Belt Width	Assembly Part Number	R710-4396-10°-Rubber Disc V Return Idler Dimensions 152 mm dia. Rolls				Assembly Weight
		A	G	K	R	
457 mm	436-18-G8-0120	686	280	146	367	25 kg.
610 mm	436-24-G8-0120	838	333	159	379	28 kg.
762 mm	436-30-G8-0120	991	439	178	398	32 kg.
914 mm	436-36-G8-0120	1143	491	187	408	35 kg.
1067 mm	436-42-G8-0120	1295	591	203	424	39 kg.
1219 mm	436-48-G8-0120	1448	667	216	446	44 kg.



STEPHENS-ADAMSON CONVEYOR COMPONENTS

www.Stephens-Adamson.com

CANADA
Telephone: 1-800-510-3802
Fax: 1-613-967-8128

U.S.A.
Telephone: 1-800-638-6788
Fax: 1-800-866-1438

INTERNATIONAL
Telephone: 1-613-962-3411
Fax: 1-613-967-8128

DS-E-IDL-00-091 A