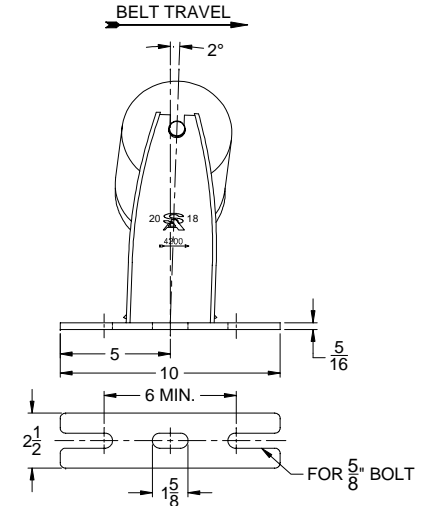
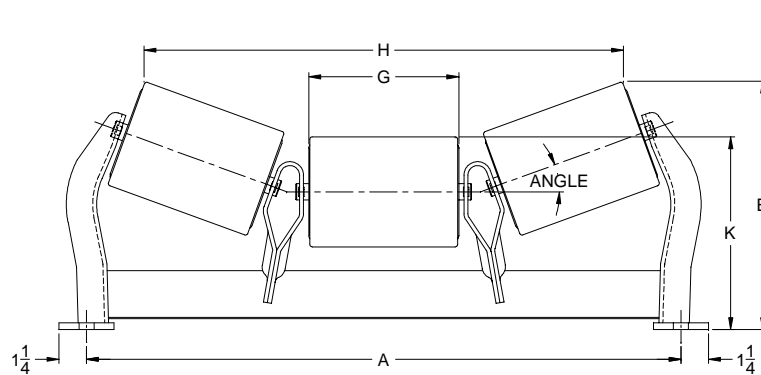




STEPHENS-ADAMSON CONVEYING

Note: Dimensions for REFERENCE ONLY and are SUBJECT TO CHANGE WITHOUT NOTICE.
Contact Stephens-Adamson Conveying for Certified Dimensions Prints.

CEMA "C" 4400 Series Inline Idlers – Sealed for Life



'Dimensions in Inches'

Belt Width	Assembly Part Number	4405-20°-Troughing Idler Dimensions 5" dia. Rolls					Assembly Weight
		A	E	G	H	K	
18"	445-18-A0-0120	27	11-1/4	6-7/8	21-3/4	8-3/4	45 lbs.
24"	445-24-A0-0120	33	12	8-15/16	27-13/16	8-3/4	51 lbs.
30"	445-30-A0-0120	39	12-11/16	11	33-13/16	8-3/4	57 lbs.
36"	445-36-A0-0120	45	13-7/16	13-1/8	39-7/8	8-3/4	63 lbs.
42"	445-42-A0-0120	51	14-1/8	15-3/16	45-13/16	8-3/4	70 lbs.
48"	445-48-A0-0120	57	14-13/16	17-1/4	51-13/16	8-3/4	76 lbs.

Belt Width	Assembly Part Number	4405-35°-Troughing Idler Dimensions 5" dia. Rolls					Assembly Weight
		A	E	G	H	K	
18"	445-18-B0-0120	27	12-15/16	6-7/8	19-11/16	8-3/4	47 lbs.
24"	445-24-B0-0120	33	14-1/8	8-15/16	25-3/16	8-3/4	53 lbs.
30"	445-30-B0-0120	39	15-5/16	11	30-11/16	8-3/4	59 lbs.
36"	445-36-B0-0120	45	16-1/2	13-1/8	36-1/4	8-3/4	66 lbs.
42"	445-42-B0-0120	51	17-3/4	15-3/16	41-11/16	8-3/4	73 lbs.
48"	445-48-B0-0120	57	18-15/16	17-1/4	47-3/16	8-3/4	79 lbs.

Belt Width	Assembly Part Number	4405-45°-Troughing Idler Dimensions 5" dia. Rolls					Assembly Weight
		A	E	G	H	K	
18"	445-18-C0-0120	27	13-15/16	6-7/8	18-1/4	8-3/4	45 lbs.
24"	445-24-C0-0120	33	15-7/16	8-15/16	23-5/16	8-3/4	52 lbs.
30"	445-30-C0-0120	39	16-7/8	11	28-3/8	8-3/4	59 lbs.
36"	445-36-C0-0120	45	18-3/8	13-1/8	33-3/8	8-3/4	67 lbs.
42"	445-42-C0-0120	51	19-7/8	15-3/16	38-3/8	8-3/4	72 lbs.
48"	445-48-C0-0120	57	21-5/16	17-1/4	43-7/16	8-3/4	81 lbs.

Belt Width	Assembly Part Number	4406-20°-Troughing Idler Dimensions 6" dia. Rolls					Assembly Weight
		A	E	G	H	K	
18"	446-18-A0-0120	27	11-3/4	6-7/8	21-7/16	9-1/4	54 lbs.
24"	446-24-A0-0120	33	12-7/16	8-15/16	27-1/2	9-1/4	62 lbs.
30"	446-30-A0-0120	39	13-3/16	11	33-1/2	9-1/4	70 lbs.
36"	446-36-A0-0120	45	13-7/8	13-1/8	39-9/16	9-1/4	78 lbs.
42"	446-42-A0-0120	51	14-9/16	15-3/16	45-1/2	9-1/4	87 lbs.
48"	446-48-A0-0120	57	15-5/16	17-1/4	51-1/2	9-1/4	95 lbs.

Belt Width	Assembly Part Number	4406-35°-Troughing Idler Dimensions 6" dia. Rolls					Assembly Weight
		A	E	G	H	K	
18"	446-18-B0-0120	27	13-3/8	6-7/8	19-1/16	9-1/4	56 lbs.
24"	446-24-B0-0120	33	14-1/2	8-15/16	24-9/16	9-1/4	64 lbs.
30"	446-30-B0-0120	39	15-3/4	11	30-1/8	9-1/4	72 lbs.
36"	446-36-B0-0120	45	16-15/16	13-1/8	35-11/16	9-1/4	81 lbs.
42"	446-42-B0-0120	51	18-1/8	15-3/16	41-1/8	9-1/4	89 lbs.
48"	446-48-B0-0120	57	19-5/16	17-1/4	46-5/8	9-1/4	98 lbs.

Belt Width	Assembly Part Number	4406-45°-Troughing Idler Dimensions 6" dia. Rolls					Assembly Weight
		A	E	G	H	K	
18"	446-18-C0-0120	27	14-1/4	6-7/8	17-1/2	9-1/4	60 lbs.
24"	446-24-C0-0120	33	15-3/4	8-15/16	22-9/16	9-1/4	66 lbs.
30"	446-30-C0-0120	39	17-1/4	11	27-5/8	9-1/4	72 lbs.
36"	446-36-C0-0120	45	18-3/4	13-1/8	32-11/16	9-1/4	82 lbs.
42"	446-42-C0-0120	51	20-3/16	15-3/16	37-11/16	9-1/4	92 lbs.
48"	446-48-C0-0120	57	21-11/16	17-1/4	42-3/4	9-1/4	100 lbs.

STEPHENS-ADAMSON CONVEYING

www.Stephens-Adamson.com

CANADA
Telephone: 1-800-510-3802
Fax: 1-613-967-8128

U.S.A.
Telephone: 1-800-638-6788
Fax: 1-800-866-1438

INTERNATIONAL
Telephone: 1-613-962-3411
Fax: 1-613-967-8128

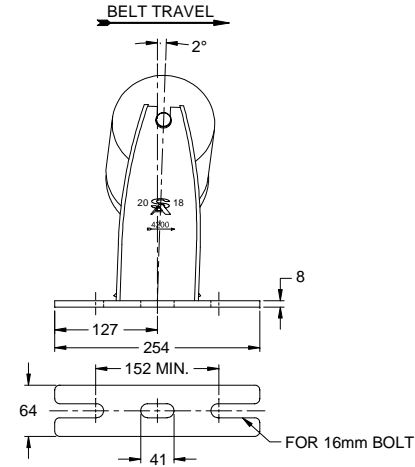
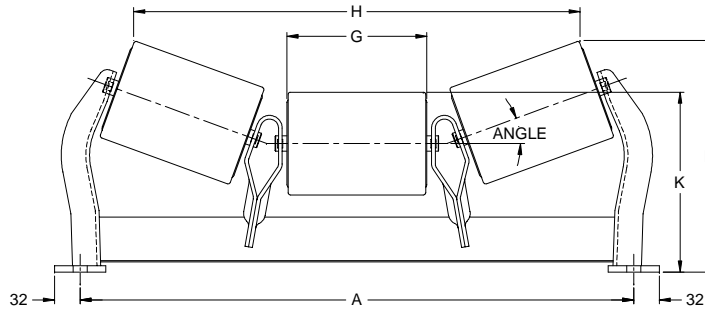
DS-E-IDL-00-094



STEPHENS-ADAMSON CONVEYING

Note: Dimensions for REFERENCE ONLY and are SUBJECT TO CHANGE WITHOUT NOTICE.
Contact Stephens-Adamson Conveying for Certified Dimensions Prints.

CEMA "C" 4400 Series Inline Idlers – Sealed for Life



'Dimensions in Millimeters'

Belt Width	Assembly Part Number	4405-20°-Troughing Idler Dimensions 127 mm dia. Rolls					Assembly Weight
		A	E	G	H	K	
457 mm	445-18-A0-0120	686	286	175	552	222	20 kg.
610 mm	445-24-A0-0120	838	305	227	706	222	23 kg.
762 mm	445-30-A0-0120	991	322	279	859	222	26 kg.
914 mm	445-36-A0-0120	1143	341	333	1013	222	29 kg.
1067 mm	445-42-A0-0120	1295	359	386	1164	222	32 kg.
1219 mm	445-48-A0-0120	1448	376	438	1316	222	34 kg.

Belt Width	Assembly Part Number	4405-35°-Troughing Idler Dimensions 127 mm dia. Rolls					Assembly Weight
		A	E	G	H	K	
457 mm	445-18-B0-0120	686	329	175	500	222	21 kg.
610 mm	445-24-B0-0120	838	359	227	640	222	24 kg.
762 mm	445-30-B0-0120	991	389	279	779	222	27 kg.
914 mm	445-36-B0-0120	1143	419	333	921	222	30 kg.
1067 mm	445-42-B0-0120	1295	451	386	1059	222	33 kg.
1219 mm	445-48-B0-0120	1448	481	438	1199	222	36 kg.

Belt Width	Assembly Part Number	4405-45°-Troughing Idler Dimensions 127 mm dia. Rolls					Assembly Weight
		A	E	G	H	K	
457 mm	445-18-C0-0120	686	354	175	464	222	20 kg.
610 mm	445-24-C0-0120	838	392	227	592	222	24 kg.
762 mm	445-30-C0-0120	991	429	279	721	222	27 kg.
914 mm	445-36-C0-0120	1143	467	333	848	222	30 kg.
1067 mm	445-42-C0-0120	1295	505	386	975	222	33 kg.
1219 mm	445-48-C0-0120	1448	541	438	1103	222	37 kg.

Belt Width	Assembly Part Number	4406-20°-Troughing Idler Dimensions 152 mm dia. Rolls					Assembly Weight
		A	E	G	H	K	
457 mm	446-18-A0-0120	686	298	175	545	235	24 kg.
610 mm	446-24-A0-0120	838	316	227	699	235	28 kg.
762 mm	446-30-A0-0120	991	335	279	851	235	32 kg.
914 mm	446-36-A0-0120	1143	352	333	1005	235	35 kg.
1067 mm	446-42-A0-0120	1295	370	386	1156	235	39 kg.
1219 mm	446-48-A0-0120	1448	389	438	1308	235	43 kg.

Belt Width	Assembly Part Number	4406-35°-Troughing Idler Dimensions 152 mm dia. Rolls					Assembly Weight
		A	E	G	H	K	
457 mm	446-18-B0-0120	686	340	175	484	235	25 kg.
610 mm	446-24-B0-0120	838	368	227	624	235	29 kg.
762 mm	446-30-B0-0120	991	400	279	765	235	33 kg.
914 mm	446-36-B0-0120	1143	430	333	906	235	37 kg.
1067 mm	446-42-B0-0120	1295	460	386	1045	235	40 kg.
1219 mm	446-48-B0-0120	1448	491	438	1184	235	44 kg.

Belt Width	Assembly Part Number	4406-45°-Troughing Idler Dimensions 152 mm dia. Rolls					Assembly Weight
		A	E	G	H	K	
457 mm	446-18-C0-0120	686	362	175	445	235	27 kg.
610 mm	446-24-C0-0120	838	400	227	573	235	30 kg.
762 mm	446-30-C0-0120	991	438	279	702	235	33 kg.
914 mm	446-36-C0-0120	1143	476	333	830	235	37 kg.
1067 mm	446-42-C0-0120	1295	513	386	957	235	42 kg.
1219 mm	446-48-C0-0120	1448	551	438	1086	235	45 kg.

STEPHENS-ADAMSON CONVEYING

www.Stephens-Adamson.com

CANADA
Telephone: 1-800-510-3802
Fax: 1-613-967-8128

U.S.A.
Telephone: 1-800-638-6788
Fax: 1-800-866-1438

INTERNATIONAL
Telephone: 1-613-962-3411
Fax: 1-613-967-8128

DS-E-IDL-00-094