

*'Dimensions in Inches'*

Belt Width	Assembly Part Number	R711-4405-20°-Impact Troughing Idler Dimensions 5-3/16" dia. Rolls					Assembly Weight
		A	E	G	H	K	
18"	445-18-AM-0120	27	11-1/4	6-7/8	21-3/4	8-3/4	44 lbs.
24"	445-24-AM-0120	33	11-15/16	8-15/16	26-15/16	8-3/4	52 lbs.
30"	445-30-AM-0120	39	12-11/16	11	33	8-3/4	60 lbs.
36"	445-36-AM-0120	45	13-5/16	13-1/8	39	8-3/4	71 lbs.
42"	445-42-AM-0120	51	14-1/16	15-3/16	44-15/16	8-3/4	78 lbs.
48"	445-48-AM-0120	57	14-3/4	17-1/4	50-15/16	8-3/4	87 lbs.

Belt Width	Assembly Part Number	R711-4405-35°-Impact Troughing Idler Dimensions 5-3/16" dia. Rolls					Assembly Weight
		A	E	G	H	K	
18"	445-18-BM-0120	27	12-15/16	6-7/8	19-11/16	8-3/4	46 lbs.
24"	445-24-BM-0120	33	14	8-15/16	24-5/16	8-3/4	54 lbs.
30"	445-30-BM-0120	39	15-3/16	11	29-7/8	8-3/4	62 lbs.
36"	445-36-BM-0120	45	16-5/16	13-1/8	35-7/16	8-3/4	73 lbs.
42"	445-42-BM-0120	51	17-9/16	15-3/16	40-7/8	8-3/4	81 lbs.
48"	445-48-BM-0120	57	18-3/4	17-1/4	46-3/8	8-3/4	90 lbs.

Belt Width	Assembly Part Number	R711-4405-45°-Impact Troughing Idler Dimensions 5-3/16" dia. Rolls					Assembly Weight
		A	E	G	H	K	
18"	445-18-CM-0120	27	13-15/16	6-7/8	18-1/4	8-3/4	46 lbs.
24"	445-24-CM-0120	33	15-1/8	8-15/16	22-1/2	8-3/4	53 lbs.
30"	445-30-CM-0120	39	16-5/8	11	27-5/8	8-3/4	62 lbs.
36"	445-36-CM-0120	45	18	13-1/8	32-11/16	8-3/4	77 lbs.
42"	445-42-CM-0120	51	19-1/2	15-3/16	37-11/16	8-3/4	86 lbs.
48"	445-48-CM-0120	57	21	17-1/4	42-11/16	8-3/4	97 lbs.

Belt Width	Assembly Part Number	R711-4406-20°-Impact Troughing Idler Dimensions 6-3/16" dia. Rolls					Assembly Weight
		A	E	G	H	K	
18"	446-18-AM-0120	27	11-3/4	6-7/8	21-7/16	9-1/4	49 lbs.
24"	446-24-AM-0120	33	12-7/16	8-15/16	26-9/16	9-1/4	58 lbs.
30"	446-30-AM-0120	39	13-1/8	11	32-5/8	9-1/4	67 lbs.
36"	446-36-AM-0120	45	13-13/16	13-1/8	38-11/16	9-1/4	80 lbs.
42"	446-42-AM-0120	51	14-1/2	15-3/16	44-9/16	9-1/4	89 lbs.
48"	446-48-AM-0120	57	15-1/4	17-1/4	50-5/8	9-1/4	99 lbs.

Belt Width	Assembly Part Number	R711-4406-35°-Impact Troughing Idler Dimensions 6-3/16" dia. Rolls					Assembly Weight
		A	E	G	H	K	
18"	446-18-BM-0120	27	13-3/8	6-7/8	19-1/16	9-1/4	52 lbs.
24"	446-24-BM-0120	33	14-3/8	8-15/16	23-3/4	9-1/4	61 lbs.
30"	446-30-BM-0120	39	15-9/16	11	29-5/16	9-1/4	70 lbs.
36"	446-36-BM-0120	45	16-3/4	13-1/8	34-13/16	9-1/4	82 lbs.
42"	446-42-BM-0120	51	17-15/16	15-3/16	40-1/4	9-1/4	91 lbs.
48"	446-48-BM-0120	57	19-3/16	17-1/4	45-3/4	9-1/4	102 lbs.

Belt Width	Assembly Part Number	R711-4406-45°-Impact Troughing Idler Dimensions 6-3/16" dia. Rolls					Assembly Weight
		A	E	G	H	K	
18"	446-18-CM-0120	27	14-1/4	6-7/8	17-1/2	9-1/4	52 lbs.
24"	446-24-CM-0120	33	15-1/2	8-15/16	21-13/16	9-1/4	59 lbs.
30"	446-30-CM-0120	39	17	11	26-7/8	9-1/4	72 lbs.
36"	446-36-CM-0120	45	18-1/2	13-1/8	31-15/16	9-1/4	86 lbs.
42"	446-42-CM-0120	51	20	15-3/16	35-15/16	9-1/4	96 lbs.
48"	446-48-CM-0120	57	21-7/16	17-1/4	42	9-1/4	109 lbs.



**STEPHENS-ADAMSON CONVEYOR COMPONENTS**

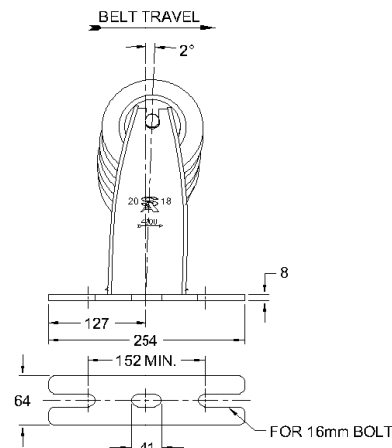
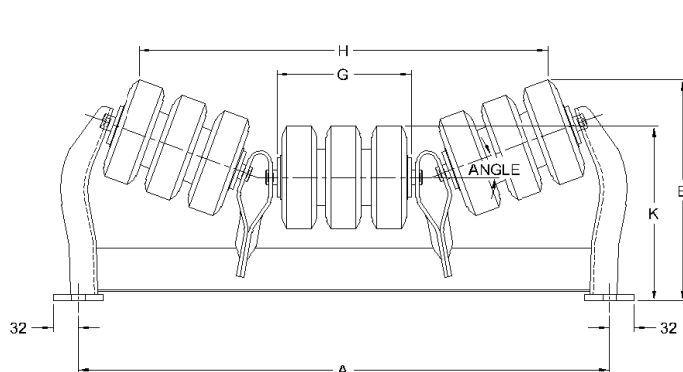
www.Stephens-Adamson.com

CANADA  
Telephone: 1-800-510-3802  
Fax: 1-613-967-8128

U.S.A.  
Telephone: 1-800-638-6788  
Fax: 1-800-866-1438

INTERNATIONAL  
Telephone: 1-613-962-3411  
Fax: 1-613-967-8128

DS-E-IDL-00-095 B



'Dimensions in Millimeters'

Belt Width	Assembly Part Number	R711-4405-20°-Impact Troughing Idler Dimensions 132 mm dia. Rolls					Assembly Weight
		A	E	G	H	K	
457 mm	445-18-AM-0120	686	286	175	552	222	20 kg.
610 mm	445-24-AM-0120	838	303	227	684	222	24 kg.
762 mm	445-30-AM-0120	991	322	279	838	222	27 kg.
914 mm	445-36-AM-0120	1143	338	333	991	222	32 kg.
1067 mm	445-42-AM-0120	1295	357	386	1141	222	35 kg.
1219 mm	445-48-AM-0120	1448	375	438	1294	222	39 kg.

Belt Width	Assembly Part Number	R711-4406-20°-Impact Troughing Idler Dimensions 157 mm dia. Rolls					Assembly Weight
		A	E	G	H	K	
457 mm	446-18-AM-0120	686	298	175	545	235	22 kg.
610 mm	446-24-AM-0120	838	316	227	675	235	26 kg.
762 mm	446-30-AM-0120	991	333	279	829	235	30 kg.
914 mm	446-36-AM-0120	1143	351	333	983	235	36 kg.
1067 mm	446-42-AM-0120	1295	368	386	1132	235	40 kg.
1219 mm	446-48-AM-0120	1448	387	438	1286	235	45 kg.

Belt Width	Assembly Part Number	R711-4405-35°-Impact Troughing Idler Dimensions 132 mm dia. Rolls					Assembly Weight
		A	E	G	H	K	
457 mm	445-18-BM-0120	686	329	175	500	222	21 kg.
610 mm	445-24-BM-0120	838	356	227	618	222	24 kg.
762 mm	445-30-BM-0120	991	386	279	759	222	28 kg.
914 mm	445-36-BM-0120	1143	414	333	900	222	33 kg.
1067 mm	445-42-BM-0120	1295	446	386	1038	222	37 kg.
1219 mm	445-48-BM-0120	1448	476	438	1178	222	41 kg.

Belt Width	Assembly Part Number	R711-4406-35°-Impact Troughing Idler Dimensions 157 mm dia. Rolls					Assembly Weight
		A	E	G	H	K	
457 mm	446-18-BM-0120	686	340	175	484	235	24 kg.
610 mm	446-24-BM-0120	838	365	227	603	235	28 kg.
762 mm	446-30-BM-0120	991	395	279	745	235	32 kg.
914 mm	446-36-BM-0120	1143	425	333	884	235	37 kg.
1067 mm	446-42-BM-0120	1295	456	386	1022	235	41 kg.
1219 mm	446-48-BM-0120	1448	487	438	1162	235	46 kg.

Belt Width	Assembly Part Number	R711-4405-45°-Impact Troughing Idler Dimensions 132 mm dia. Rolls					Assembly Weight
		A	E	G	H	K	
457 mm	445-18-CM-0120	686	354	175	464	222	21 kg.
610 mm	445-24-CM-0120	838	384	227	572	222	24 kg.
762 mm	445-30-CM-0120	991	422	279	702	222	28 kg.
914 mm	445-36-CM-0120	1143	457	333	830	222	35 kg.
1067 mm	445-42-CM-0120	1295	495	386	957	222	39 kg.
1219 mm	445-48-CM-0120	1448	533	438	1084	222	44 kg.

Belt Width	Assembly Part Number	R711-4406-45°-Impact Troughing Idler Dimensions 157 mm dia. Rolls					Assembly Weight
		A	E	G	H	K	
457 mm	446-18-CM-0120	686	362	175	445	235	24 kg.
610 mm	446-24-CM-0120	838	394	227	554	235	27 kg.
762 mm	446-30-CM-0120	991	432	279	683	235	33 kg.
914 mm	446-36-CM-0120	1143	470	333	811	235	39 kg.
1067 mm	446-42-CM-0120	1295	508	386	913	235	44 kg.
1219 mm	446-48-CM-0120	1448	545	438	1067	235	49 kg.