

'Dimensions in Inches'

Belt Width	Assembly Part Number	4405-20° ST-PA- Troughing Idler Dimensions 5" dia. Rolls					Assembly Weight
		A	G	K	L	M	
18"	445-18-AT-0120	27	6-7/8	9-1/4	24-5/8	15	109 lbs.
24"	445-24-AT-0120	33	8-15/16	9-1/4	30-11/16	15-3/4	121 lbs.
30"	445-30-AT-0120	39	11	9-1/4	36-3/4	16-7/16	135 lbs.
36"	445-36-AT-0120	45	13-1/8	9-1/4	42-3/4	17-3/16	147 lbs.
42"	445-42-AT-0120	51	15-3/16	9-1/4	48-3/4	17-7/8	158 lbs.
48"	445-48-AT-0120	57	17-1/4	9-1/2	54-3/4	18-9/16	191 lbs.

Belt Width	Assembly Part Number	4405-35° ST-PA- Troughing Idler Dimensions 5" dia. Rolls					Assembly Weight
		A	G	K	L	M	
18"	445-18-BT-0120	27	6-7/8	9-1/4	20-15/16	17	107 lbs.
24"	445-24-BT-0120	33	8-15/16	9-1/4	26-1/2	18-3/16	122 lbs.
30"	445-30-BT-0120	39	11	9-1/4	32-1/16	19-5/16	137 lbs.
36"	445-36-BT-0120	45	13-1/8	9-1/4	37-9/16	20-9/16	148 lbs.
42"	445-42-BT-0120	51	15-3/16	9-1/4	43-1/16	21-3/4	160 lbs.
48"	445-48-BT-0120	57	17-1/4	9-1/2	48-1/2	22-15/16	194 lbs.

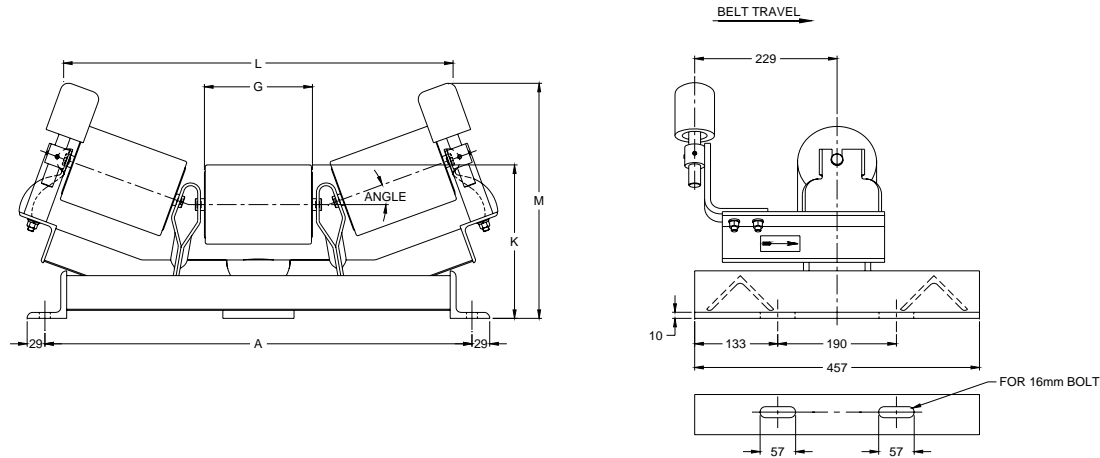
Belt Width	Assembly Part Number	4405-45° ST-PA- Troughing Idler Dimensions 5" dia. Rolls					Assembly Weight
		A	G	K	L	M	
18"	445-18-CT-0120	27	6-7/8	9-1/4	20-1/16	18	125 lbs.
24"	445-24-CT-0120	33	8-15/16	9-1/4	23-5/8	19-1/2	139 lbs.
30"	445-30-CT-0120	39	11	9-1/4	28-11/16	21	155 lbs.
36"	445-36-CT-0120	45	13-1/8	9-1/4	33-3/4	22-1/2	169 lbs.
42"	445-42-CT-0120	51	15-3/16	9-1/4	38-3/4	23-15/16	185 lbs.
48"	445-48-CT-0120	57	17-1/4	9-1/2	43-3/4	25-7/16	202 lbs.

Belt Width	Assembly Part Number	4406-20° ST-PA- Troughing Idler Dimensions 6" dia. Rolls					Assembly Weight
		A	G	K	L	M	
18"	446-18-AT-0120	27	6-7/8	9-3/4	24-5/8	15	117 lbs.
24"	446-24-AT-0120	33	8-15/16	9-3/4	30-11/16	15-3/4	132 lbs.
30"	446-30-AT-0120	39	11	9-3/4	36-3/4	16-7/16	148 lbs.
36"	446-36-AT-0120	45	13-1/8	9-3/4	42-3/4	17-3/16	162 lbs.
42"	446-42-AT-0120	51	15-3/16	9-3/4	48-3/4	17-7/8	175 lbs.
48"	446-48-AT-0120	57	17-1/4	10	54-3/4	18-9/16	210 lbs.

Belt Width	Assembly Part Number	4406-35° ST-PA- Troughing Idler Dimensions 6" dia. Rolls					Assembly Weight
		A	G	K	L	M	
18"	446-18-BT-0120	27	6-7/8	9-3/4	20-15/16	17	118 lbs.
24"	446-24-BT-0120	33	8-15/16	9-3/4	26-1/2	18-3/16	133 lbs.
30"	446-30-BT-0120	39	11	9-3/4	32-1/16	19-5/16	150 lbs.
36"	446-36-BT-0120	45	13-1/8	9-3/4	37-9/16	20-9/16	163 lbs.
42"	446-42-BT-0120	51	15-3/16	9-3/4	43-1/16	21-3/4	177 lbs.
48"	446-48-BT-0120	57	17-1/4	10	48-1/2	22-15/16	213 lbs.

Belt Width	Assembly Part Number	4406-45° ST-PA- Troughing Idler Dimensions 6" dia. Rolls					Assembly Weight
		A	G	K	L	M	
18"	446-18-CT-0120	27	6-7/8	9-3/4	20-1/16	18	136 lbs.
24"	446-24-CT-0120	33	8-15/16	9-3/4	23-5/8	19-1/2	152 lbs.
30"	446-30-CT-0120	39	11	9-3/4	28-11/16	21	168 lbs.
36"	446-36-CT-0120	45	13-1/8	9-3/4	33-3/4	22-1/2	184 lbs.
42"	446-42-CT-0120	51	15-3/16	9-3/4	38-3/4	23-15/16	207 lbs.
48"	446-48-CT-0120	57	17-1/4	10	43-3/4	25-7/16	221 lbs.





'Dimensions in Millimeters'

Belt Width	Assembly Part Number	4405-20° ST-PA- Troughing Idler Dimensions 127 mm dia. Rolls					Assembly Weight
		A	G	K	L	M	
457 mm	445-18-AT-0120	686	175	235	625	381	49 kg.
610 mm	445-24-AT-0120	838	227	235	779	400	55 kg.
762 mm	445-30-AT-0120	991	279	235	933	418	61 kg.
914 mm	445-36-AT-0120	1143	333	235	1086	437	67 kg.
1067 mm	445-42-AT-0120	1295	386	235	1238	454	72 kg.
1219 mm	445-48-AT-0120	1448	438	241	1391	471	87 kg.

Belt Width	Assembly Part Number	4405-35° ST-PA- Troughing Idler Dimensions 127 mm dia. Rolls					Assembly Weight
		A	G	K	L	M	
457 mm	445-18-BT-0120	686	175	235	532	432	49 kg.
610 mm	445-24-BT-0120	838	227	235	673	462	55 kg.
762 mm	445-30-BT-0120	991	279	235	814	491	62 kg.
914 mm	445-36-BT-0120	1143	333	235	954	522	67 kg.
1067 mm	445-42-BT-0120	1295	386	235	1094	552	73 kg.
1219 mm	445-48-BT-0120	1448	438	241	1232	583	88 kg.

Belt Width	Assembly Part Number	4405-45° ST-PA- Troughing Idler Dimensions 127 mm dia. Rolls					Assembly Weight
		A	G	K	L	M	
457 mm	445-18-CT-0120	686	175	235	510	457	57 kg.
610 mm	445-24-CT-0120	838	227	235	600	495	63 kg.
762 mm	445-30-CT-0120	991	279	235	729	533	70 kg.
914 mm	445-36-CT-0120	1143	333	235	857	572	77 kg.
1067 mm	445-42-CT-0120	1295	386	235	984	608	84 kg.
1219 mm	445-48-CT-0120	1448	438	241	1111	646	92 kg.

Belt Width	Assembly Part Number	4406-20° ST-PA- Troughing Idler Dimensions 152 mm dia. Rolls					Assembly Weight
		A	G	K	L	M	
457 mm	446-18-AT-0120	686	175	248	625	381	53 kg.
610 mm	446-24-AT-0120	838	227	248	779	400	60 kg.
762 mm	446-30-AT-0120	991	279	248	933	418	67 kg.
914 mm	446-36-AT-0120	1143	333	248	1086	437	73 kg.
1067 mm	446-42-AT-0120	1295	386	248	1238	454	79 kg.
1524 mm	446-48-AT-0120	1448	438	254	1391	471	95 kg.

Belt Width	Assembly Part Number	4406-35° ST-PA- Troughing Idler Dimensions 152 mm dia. Rolls					Assembly Weight
		A	G	K	L	M	
457 mm	446-18-BT-0120	686	175	248	532	432	54 kg.
610 mm	446-24-BT-0120	838	227	248	673	462	60 kg.
762 mm	446-30-BT-0120	991	279	248	814	491	68 kg.
914 mm	446-36-BT-0120	1143	333	248	954	522	74 kg.
1067 mm	446-42-BT-0120	1295	386	248	1094	552	80 kg.
1524 mm	446-48-BT-0120	1448	438	254	1232	583	97 kg.

Belt Width	Assembly Part Number	4406-45° ST-PA- Troughing Idler Dimensions 152 mm dia. Rolls					Assembly Weight
		A	G	K	L	M	
457 mm	446-18-CT-0120	686	175	248	510	457	62 kg.
610 mm	446-24-CT-0120	838	227	248	600	495	69 kg.
762 mm	446-30-CT-0120	991	279	248	729	533	76 kg.
914 mm	446-36-CT-0120	1143	333	248	857	572	83 kg.
1067 mm	446-42-CT-0120	1295	386	248	984	608	94 kg.
1524 mm	446-48-CT-0120	1448	438	254	1111	646	100 kg.



STEPHENS-ADAMSON CONVEYOR COMPONENTS

www.Stephens-Adamson.com

CANADA
Telephone: 1-800-510-3802
Fax: 1-613-967-8128

U.S.A.
Telephone: 1-800-638-6788
Fax: 1-800-866-1438

INTERNATIONAL
Telephone: 1-613-962-3411
Fax: 1-613-967-8128

DS-E-IDL-00-096 A