

'Dimensions in Inches'

Belt Width	Assembly Part Number	4405-20°-Picking Table Idler Dimensions 5" dia. Rolls					Assembly Weight
		A	E	G	H	K	
24"	445-24-A0-P120	33	11-1/4	12-7/8	27-3/4	8-3/4	49 lbs.
30"	445-30-A0-P120	39	11-1/4	18-7/8	33-3/4	8-3/4	55 lbs.
36"	445-36-A0-P120	45	11-1/4	24-7/8	39-3/4	8-3/4	60 lbs.
42"	445-42-A0-P120	51	11-1/4	30-7/8	45-3/4	8-3/4	66 lbs.
48"	445-48-A0-P120	57	11-1/4	36-7/8	51-3/4	8-3/4	72 lbs.

Belt Width	Assembly Part Number	4406-20°-Picking Table Idler Dimensions 6" dia. Rolls					Assembly Weight
		A	E	G	H	K	
24"	446-24-A0-P120	33	11-3/4	12-7/8	27-7/16	9-1/4	60 lbs.
30"	446-30-A0-P120	39	11-3/4	18-7/8	33-7/16	9-1/4	68 lbs.
36"	446-36-A0-P120	45	11-3/4	24-7/8	39-7/16	9-1/4	75 lbs.
42"	446-42-A0-P120	51	11-3/4	30-7/8	45-7/16	9-1/4	83 lbs.
48"	446-48-A0-P120	57	11-3/4	36-7/8	51-7/16	9-1/4	91 lbs.



STEPHENS-ADAMSON CONVEYOR COMPONENTS

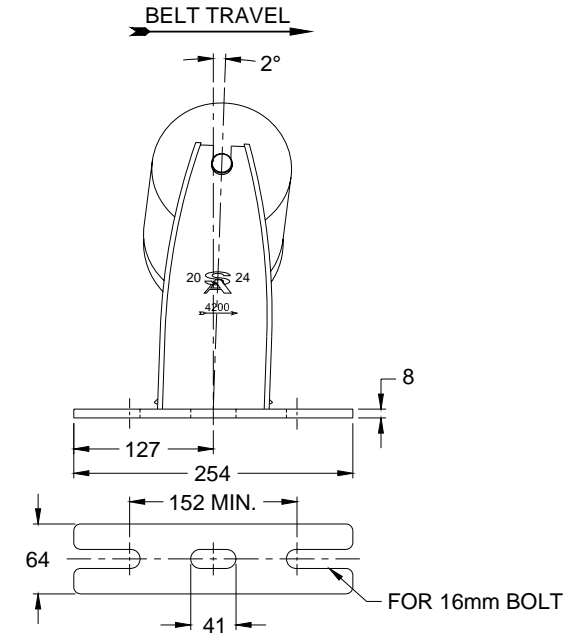
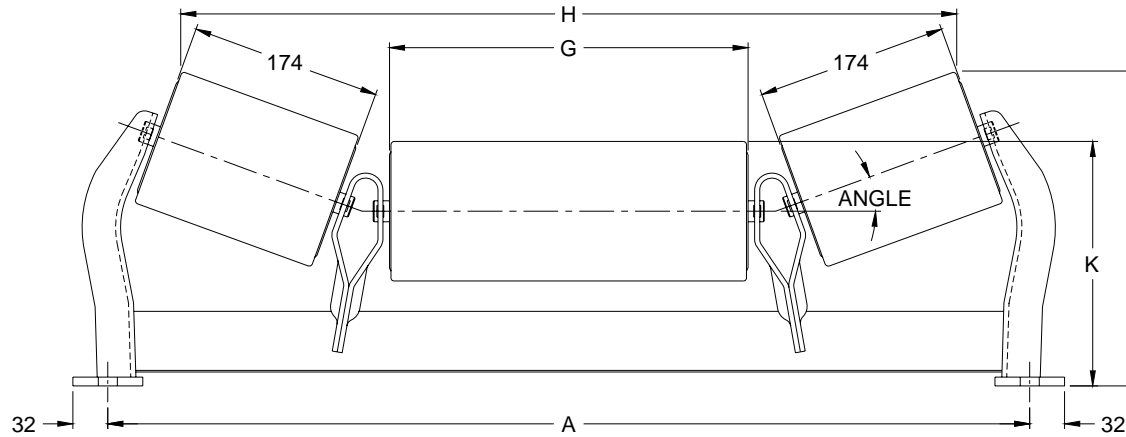
www.Stephens-Adamson.com

CANADA
Telephone: 1-800-510-3802
Fax: 1-613-967-8128

U.S.A.
Telephone: 1-800-638-6788
Fax: 1-800-866-1438

INTERNATIONAL
Telephone: 1-613-962-3411
Fax: 1-613-967-8128

DS-E-IDL-00-097



'Dimensions in Millimeters'

Belt Width	Assembly Part Number	4405-20°-Picking Table Idler Dimensions 127 mm dia. Rolls					Assembly Weight
		A	E	G	H	K	
610 mm	445-24-A0-P120	838	286	327	705	222	22 kg.
762 mm	445-30-A0-P120	991	286	479	857	222	25 kg.
914 mm	445-36-A0-P120	1143	286	632	1010	222	27 kg.
1067 mm	445-42-A0-P120	1295	286	784	1162	222	30 kg.
1219 mm	445-48-A0-P120	1448	286	937	1314	222	33 kg.

Belt Width	Assembly Part Number	4406-20°-Picking Table Idler Dimensions 152 mm dia. Rolls					Assembly Weight
		A	E	G	H	K	
610 mm	446-24-A0-P120	838	298	327	697	235	27 kg.
762 mm	446-30-A0-P120	991	298	479	849	235	31 kg.
914 mm	446-36-A0-P120	1143	298	632	1002	235	34 kg.
1067 mm	446-42-A0-P120	1295	298	784	1154	235	38 kg.
1219 mm	446-48-A0-P120	1448	298	937	1307	235	41 kg.



STEPHENS-ADAMSON CONVEYOR COMPONENTS
www.Stephens-Adamson.com

CANADA
Telephone: 1-800-510-3802
Fax: 1-613-967-8128

U.S.A.
Telephone: 1-800-638-6788
Fax: 1-800-866-1438

INTERNATIONAL
Telephone: 1-613-962-3411
Fax: 1-613-967-8128