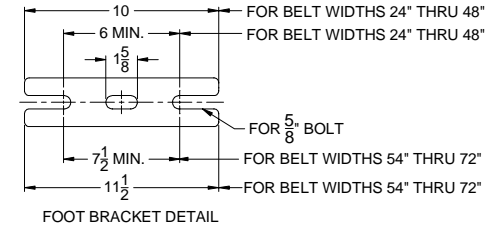
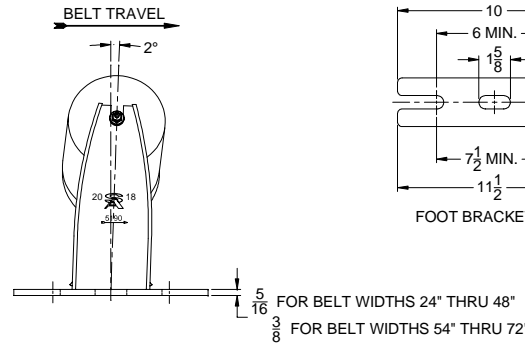
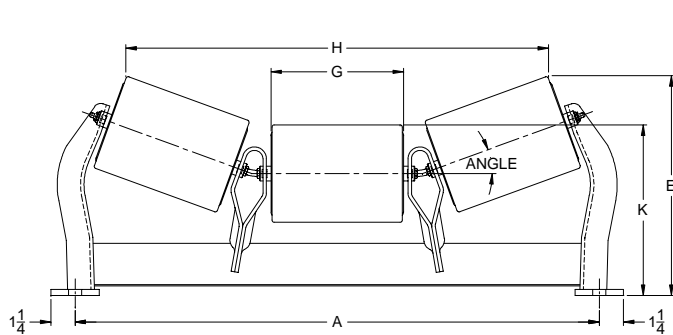




STEPHENS-ADAMSON CONVEYING

Note: Dimensions for REFERENCE ONLY and are SUBJECT TO CHANGE WITHOUT NOTICE.
Contact Stephens-Adamson Conveying for Certified Dimensions Prints.

CEMA "D" 5190 Series Inline Idlers - Regreasable



'Dimensions in Inches'

Belt Width	Assembly Part Number	5195-20°-Troughing Idler Dimensions 5" dia. Rolls					Assembly Weight
		A	E	G	H	K	
24"	505-24-A0-0200	33	12	8-15/16	27-13/16	8-3/4	52 lbs.
30"	505-30-A0-0200	39	12-11/16	11	33-13/16	8-3/4	59 lbs.
36"	505-36-A0-0200	45	13-7/16	13-1/8	39-7/8	8-3/4	70 lbs.
42"	505-42-A0-0200	51	14-1/8	15-3/16	45-13/16	8-3/4	77 lbs.
48"	505-48-A0-0200	57	14-13/16	17-1/4	51-13/16	8-3/4	85 lbs.
54"	505-54-A0-0200	63	16-1/16	19-5/16	57-3/4	9-1/4	99 lbs.
60"	505-60-A0-0200	69	16-3/4	21-7/16	63-13/16	9-1/4	107 lbs.
72"	505-72-A0-0200	81	18-1/8	25-7/16	75-5/16	9-1/4	123 lbs.

Belt Width	Assembly Part Number	5195-35°-Troughing Idler Dimensions 5" dia. Rolls					Assembly Weight
		A	E	G	H	K	
24"	505-24-B0-0200	33	14-1/8	8-15/16	25-3/16	8-3/4	54 lbs.
30"	505-30-B0-0200	39	15-5/16	11	30-11/16	8-3/4	61 lbs.
36"	505-36-B0-0200	45	16-1/2	13-1/8	36-1/4	8-3/4	73 lbs.
42"	505-42-B0-0200	51	17-3/4	15-3/16	41-11/16	8-3/4	80 lbs.
48"	505-48-B0-0200	57	18-15/16	17-1/4	47-3/16	8-3/4	89 lbs.
54"	505-54-B0-0200	63	20-9/16	19-5/16	52-5/8	9-1/4	103 lbs.
60"	505-60-B0-0200	69	21-13/16	21-7/16	58-3/16	9-1/4	111 lbs.
72"	505-72-B0-0200	81	24-1/16	25-7/16	68-11/16	9-1/4	128 lbs.

Belt Width	Assembly Part Number	5195-45°-Troughing Idler Dimensions 5" dia. Rolls					Assembly Weight
		A	E	G	H	K	
24"	505-24-C0-0200	33	15-7/16	8-15/16	23-5/16	8-3/4	55 lbs.
30"	505-30-C0-0200	39	16-7/8	11	28-3/8	8-3/4	62 lbs.
36"	505-36-C0-0200	45	18-3/8	13-1/8	33-3/8	8-3/4	73 lbs.
42"	505-42-C0-0200	51	19-7/8	15-3/16	38-3/8	8-3/4	81 lbs.
48"	505-48-C0-0200	57	21-5/16	17-1/4	43-7/16	8-3/4	90 lbs.
54"	505-54-C0-0200	63	23-1/4	19-5/16	48-7/16	9-1/4	105 lbs.
60"	505-60-C0-0200	69	24-3/4	21-7/16	53-1/2	9-1/4	113 lbs.
72"	505-72-C0-0200	81	27-9/16	25-7/16	63-1/8	9-1/4	129 lbs.

Belt Width	Assembly Part Number	5196-20°-Troughing Idler Dimensions 6" dia. Rolls					Assembly Weight
		A	E	G	H	K	
24"	506-24-A0-0200	33	12-7/16	8-15/16	27-1/2	9-1/4	63 lbs.
30"	506-30-A0-0200	39	13-3/16	11	33-1/2	9-1/4	72 lbs.
36"	506-36-A0-0200	45	13-7/8	13-1/8	39-9/16	9-1/4	85 lbs.
42"	506-42-A0-0200	51	14-9/16	15-3/16	45-1/2	9-1/4	94 lbs.
48"	506-48-A0-0200	57	15-5/16	17-1/4	51-1/2	9-1/4	104 lbs.
54"	506-54-A0-0200	63	16-1/2	19-5/16	57-7/16	9-3/4	120 lbs.
60"	506-60-A0-0200	69	17-1/4	21-7/16	63-1/2	9-3/4	130 lbs.
72"	506-72-A0-0200	81	18-5/8	25-7/16	75	9-3/4	149 lbs.

Belt Width	Assembly Part Number	5196-35°-Troughing Idler Dimensions 6" dia. Rolls					Assembly Weight
		A	E	G	H	K	
24"	506-24-B0-0200	33	14-1/2	8-15/16	24-9/16	9-1/4	65 lbs.
30"	506-30-B0-0200	39	15-3/4	11	30-1/8	9-1/4	74 lbs.
36"	506-36-B0-0200	45	16-15/16	13-1/8	35-11/16	9-1/4	88 lbs.
42"	506-42-B0-0200	51	18-1/8	15-3/16	41-1/8	9-1/4	93 lbs.
48"	506-48-B0-0200	57	19-5/16	17-1/4	46-5/8	9-1/4	108 lbs.
54"	506-54-B0-0200	63	21	19-5/16	52-1/16	9-3/4	124 lbs.
60"	506-60-B0-0200	69	22-1/4	21-7/16	57-9/16	9-3/4	135 lbs.
72"	506-72-B0-0200	81	24-1/2	25-7/16	68-1/8	9-3/4	155 lbs.

Belt Width	Assembly Part Number	5196-45°-Troughing Idler Dimensions 6" dia. Rolls					Assembly Weight
		A	E	G	H	K	
24"	506-24-C0-0200	33	15-3/4	8-15/16	22-9/16	9-1/4	66 lbs.
30"	506-30-C0-0200	39	17-1/4	11	27-5/8	9-1/4	75 lbs.
36"	506-36-C0-0200	45	18-3/4	13-1/8	32-11/16	9-1/4	88 lbs.
42"	506-42-C0-0200	51	20-3/16	15-3/16	37-11/16	9-1/4	98 lbs.
48"	506-48-C0-0200	57	21-11/16	17-1/4	42-3/4	9-1/4	109 lbs.
54"	506-54-C0-0200	63	23-5/8	19-5/16	47-11/16	9-3/4	126 lbs.
60"	506-60-C0-0200	69	25-1/8	21-7/16	52-3/4	9-3/4	136 lbs.
72"	506-72-C0-0200	81	27-15/16	25-7/16	62-7/16	9-3/4	156 lbs.

STEPHENS-ADAMSON CONVEYING

www.Stephens-Adamson.com

CANADA
Telephone: 1-800-510-3802
Fax: 1-613-967-8128

U.S.A.
Telephone: 1-800-638-6788
Fax: 1-800-866-1438

INTERNATIONAL
Telephone: 1-613-962-3411
Fax: 1-613-967-8128

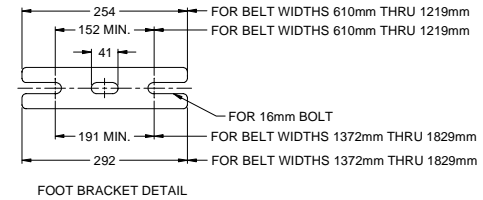
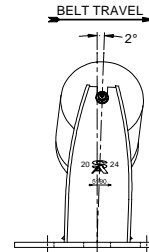
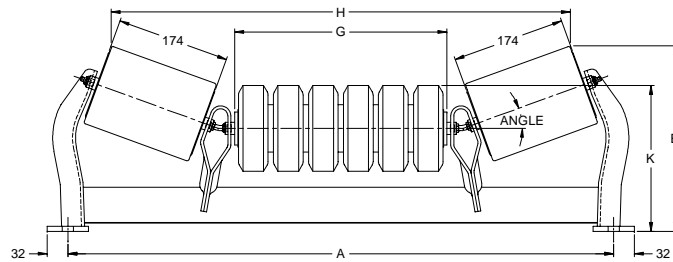
DS-E-IDL-00-100



STEPHENS-ADAMSON CONVEYING

Note: Dimensions for REFERENCE ONLY and are SUBJECT TO CHANGE WITHOUT NOTICE.
Contact Stephens-Adamson Conveying for Certified Dimensions Prints.

CEMA "D" 5190 Series Inline Idlers - Regreasable



8 FOR BELT WIDTHS 610mm THRU 1219mm
10 FOR BELT WIDTHS 1372mm THRU 1829mm

'Dimensions in Millimeters'

Belt Width	Assembly Part Number	5195-20°-Troughing Idler Dimensions 127 mm dia. Rolls					Assembly Weight
		A	E	G	H	K	
610 mm	505-24-A0-0200	838	305	227	706	222	24 kg.
762 mm	505-30-A0-0200	991	322	279	859	222	27 kg.
914 mm	505-36-A0-0200	1143	341	333	1013	222	32 kg.
1067 mm	505-42-A0-0200	1295	359	386	1164	222	35 kg.
1219 mm	505-48-A0-0200	1448	376	438	1316	222	39 kg.
1372 mm	505-54-A0-0200	1600	408	491	1467	235	45 kg.
1524 mm	505-60-A0-0200	1753	425	545	1621	235	49 kg.
1829 mm	505-72-A0-0200	2057	460	646	1913	235	56 kg.

Belt Width	Assembly Part Number	5196-20°-Troughing Idler Dimensions 152 mm dia. Rolls					Assembly Weight
		A	E	G	H	K	
610 mm	506-24-A0-0200	838	316	227	699	235	29 kg.
762 mm	506-30-A0-0200	991	335	279	851	235	33 kg.
914 mm	506-36-A0-0200	1143	352	333	1005	235	39 kg.
1067 mm	506-42-A0-0200	1295	370	386	1156	235	43 kg.
1219 mm	506-48-A0-0200	1448	389	438	1308	235	47 kg.
1372 mm	506-54-A0-0200	1600	419	491	1459	248	54 kg.
1524 mm	506-60-A0-0200	1753	438	545	1613	248	59 kg.
1829 mm	506-72-A0-0200	2057	473	646	1905	248	68 kg.

Belt Width	Assembly Part Number	5195-35°-Troughing Idler Dimensions 127 mm dia. Rolls					Assembly Weight
		A	E	G	H	K	
610 mm	505-24-B0-0200	838	359	227	640	222	24 kg.
762 mm	505-30-B0-0200	991	389	279	779	222	28 kg.
914 mm	505-36-B0-0200	1143	419	333	921	222	33 kg.
1067 mm	505-42-B0-0200	1295	451	386	1059	222	36 kg.
1219 mm	505-48-B0-0200	1448	481	438	1199	222	40 kg.
1372 mm	505-54-B0-0200	1600	522	491	1337	235	47 kg.
1524 mm	505-60-B0-0200	1753	554	545	1478	235	50 kg.
1829 mm	505-72-B0-0200	2057	611	646	1745	235	58 kg.

Belt Width	Assembly Part Number	5196-35°-Troughing Idler Dimensions 152 mm dia. Rolls					Assembly Weight
		A	E	G	H	K	
610 mm	506-24-B0-0200	838	368	227	624	235	29 kg.
762 mm	506-30-B0-0200	991	400	279	765	235	34 kg.
914 mm	506-36-B0-0200	1143	430	333	906	235	40 kg.
1067 mm	506-42-B0-0200	1295	460	386	1045	235	42 kg.
1219 mm	506-48-B0-0200	1448	491	438	1184	235	49 kg.
1372 mm	506-54-B0-0200	1600	533	491	1322	248	56 kg.
1524 mm	506-60-B0-0200	1753	565	545	1462	248	61 kg.
1829 mm	506-72-B0-0200	2057	622	646	1730	248	70 kg.

Belt Width	Assembly Part Number	5195-45°-Troughing Idler Dimensions 127 mm dia. Rolls					Assembly Weight
		A	E	G	H	K	
610 mm	505-24-C0-0200	838	392	227	592	222	25 kg.
762 mm	505-30-C0-0200	991	429	279	721	222	28 kg.
914 mm	505-36-C0-0200	1143	467	333	848	222	33 kg.
1067 mm	505-42-C0-0200	1295	505	386	975	222	37 kg.
1219 mm	505-48-C0-0200	1448	541	438	1103	222	41 kg.
1372 mm	505-54-C0-0200	1600	591	491	1230	235	48 kg.
1524 mm	505-60-C0-0200	1753	629	545	1359	235	51 kg.
1829 mm	505-72-C0-0200	2057	700	646	1603	235	59 kg.

Belt Width	Assembly Part Number	5196-45°-Troughing Idler Dimensions 152 mm dia. Rolls					Assembly Weight
		A	E	G	H	K	
610 mm	506-24-C0-0200	838	400	227	573	235	30 kg.
762 mm	506-30-C0-0200	991	438	279	702	235	34 kg.
914 mm	506-36-C0-0200	1143	476	333	830	235	40 kg.
1067 mm	506-42-C0-0200	1295	513	386	957	235	44 kg.
1219 mm	506-48-C0-0200	1448	551	438	1086	235	49 kg.
1372 mm	506-54-C0-0200	1600	600	491	1211	248	57 kg.
1524 mm	506-60-C0-0200	1753	638	545	1340	248	62 kg.
1829 mm	506-72-C0-0200	2057	710	646	1586	248	71 kg.

STEPHENS-ADAMSON CONVEYING

www.Stephens-Adamson.com

CANADA
Telephone: 1-800-510-3802
Fax: 1-613-967-8128

U.S.A.
Telephone: 1-800-638-6788
Fax: 1-800-866-1438

INTERNATIONAL
Telephone: 1-613-962-3411
Fax: 1-613-967-8128

DS-E-IDL-00-100