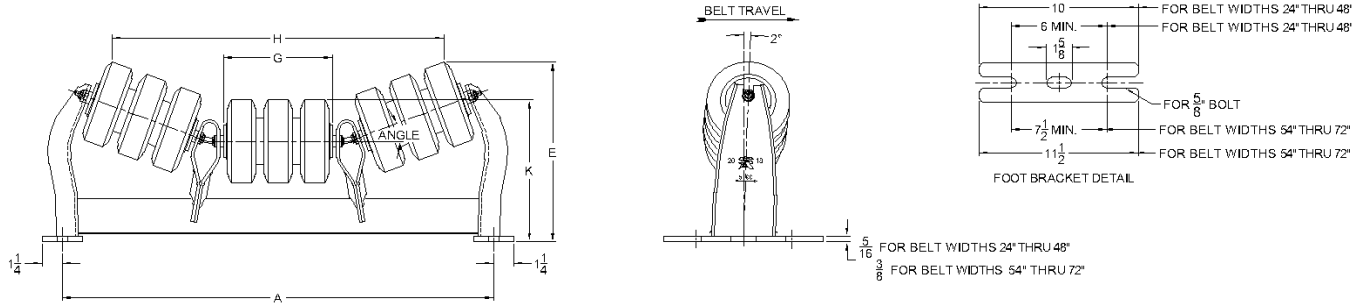




Note: Dimensions for REFERENCE ONLY and ARE SUBJECT TO CHANGE WITHOUT NOTICE.
Contact us for Certified Dimensions Prints.

CEMA "D" 5190 Series Inline Impact Idlers - Regreasable



'Dimensions in Inches'

Belt Width	Assembly Part Number	R711-5195-20°-Impact Troughing Idler Dimensions 5-3/16" dia. Rolls					Assembly Weight
		A	E	G	H	K	
24"	505-24-AM-0200	33	11-15/16	8-15/16	26-15/16	8-3/4	53 lbs.
30"	505-30-AM-0200	39	12-11/16	11	33	8-3/4	62 lbs.
36"	505-36-AM-0200	45	13-5/16	13-1/8	39	8-3/4	77 lbs.
42"	505-42-AM-0200	51	14-1/16	15-3/16	44-15/16	8-3/4	86 lbs.
48"	505-48-AM-0200	57	14-3/4	17-1/4	50-15/16	8-3/4	96 lbs.
54"	505-54-AM-0200	63	16	19-5/16	56-15/16	9-1/4	113 lbs.
60"	505-60-AM-0200	69	16-11/16	21-7/16	62-15/16	9-1/4	122 lbs.
72"	505-72-AM-0200	81	18-1/16	25-7/16	74-7/16	9-1/4	139 lbs.

Belt Width	Assembly Part Number	R711-5195-35°-Impact Troughing Idler Dimensions 5-3/16" dia. Rolls					Assembly Weight
		A	E	G	H	K	
24"	505-24-BM-0200	33	14	8-15/16	24-5/16	8-3/4	55 lbs.
30"	505-30-BM-0200	39	15-3/16	11	29-7/8	8-3/4	64 lbs.
36"	505-36-BM-0200	45	16-5/16	13-1/8	35-7/16	8-3/4	79 lbs.
42"	505-42-BM-0200	51	17-9/16	15-3/16	40-7/8	8-3/4	89 lbs.
48"	505-48-BM-0200	57	18-3/4	17-1/4	46-3/8	8-3/4	99 lbs.
54"	505-54-BM-0200	63	20-7/16	19-5/16	51-13/16	9-1/4	117 lbs.
60"	505-60-BM-0200	69	21-5/8	21-7/16	57-5/16	9-1/4	126 lbs.
72"	505-72-BM-0200	81	23-15/16	25-7/16	67-7/8	9-1/4	144 lbs.

Belt Width	Assembly Part Number	R711-5195-45°-Impact Troughing Idler Dimensions 5-3/16" dia. Rolls					Assembly Weight
		A	E	G	H	K	
24"	505-24-CM-0200	33	15-1/8	8-15/16	22-1/2	8-3/4	56 lbs.
30"	505-30-CM-0200	39	16-5/8	11	27-5/8	8-3/4	65 lbs.
36"	505-36-CM-0200	45	18	13-1/8	32-11/16	8-3/4	80 lbs.
42"	505-42-CM-0200	51	19-1/2	15-3/16	37-11/16	8-3/4	89 lbs.
48"	505-48-CM-0200	57	21	17-1/4	42-11/16	8-3/4	100 lbs.
54"	505-54-CM-0200	63	23	19-5/16	47-11/16	9-1/4	119 lbs.
60"	505-60-CM-0200	69	24-1/2	21-7/16	52-3/4	9-1/4	129 lbs.
72"	505-72-CM-0200	81	27-5/16	25-7/16	62-3/8	9-1/4	146 lbs.

Belt Width	Assembly Part Number	R711-5196-20°-Impact Troughing Idler Dimensions 6-3/16" dia. Rolls					Assembly Weight
		A	E	G	H	K	
24"	506-24-AM-0200	33	12-7/16	8-15/16	26-9/16	9-1/4	59 lbs.
30"	506-30-AM-0200	39	13-1/8	11	32-5/8	9-1/4	69 lbs.
36"	506-36-AM-0200	45	13-13/16	13-1/8	38-11/16	9-1/4	86 lbs.
42"	506-42-AM-0200	51	14-1/2	15-3/16	44-9/16	9-1/4	96 lbs.
48"	506-48-AM-0200	57	15-1/4	17-1/4	50-5/8	9-1/4	108 lbs.
54"	506-54-AM-0200	63	16-1/2	19-5/16	56-9/16	9-3/4	126 lbs.
60"	506-60-AM-0200	69	17-3/16	21-7/16	62-9/16	9-3/4	137 lbs.
72"	506-72-AM-0200	81	18-1/2	25-7/16	74-1/16	9-3/4	155 lbs.

Belt Width	Assembly Part Number	R711-5196-35°-Impact Troughing Idler Dimensions 6-3/16" dia. Rolls					Assembly Weight
		A	E	G	H	K	
24"	506-24-BM-0200	33	14-3/8	8-15/16	23-3/4	9-1/4	61 lbs.
30"	506-30-BM-0200	39	15-9/16	11	29-5/16	9-1/4	71 lbs.
36"	506-36-BM-0200	45	16-3/4	13-1/8	34-13/16	9-1/4	88 lbs.
42"	506-42-BM-0200	51	17-15/16	15-3/16	40-1/4	9-1/4	99 lbs.
48"	506-48-BM-0200	57	19-3/16	17-1/4	45-3/4	9-1/4	111 lbs.
54"	506-54-BM-0200	63	20-13/16	19-5/16	51-1/4	9-3/4	130 lbs.
60"	506-60-BM-0200	69	22	21-7/16	56-3/4	9-3/4	141 lbs.
72"	506-72-BM-0200	81	24-5/16	25-7/16	67-3/16	9-3/4	160 lbs.

Belt Width	Assembly Part Number	R711-5196-45°-Impact Troughing Idler Dimensions 6-3/16" dia. Rolls					Assembly Weight
		A	E	G	H	K	
24"	506-24-CM-0200	33	15-1/2	8-15/16	21-13/16	9-1/4	62 lbs.
30"	506-30-CM-0200	39	17	11	26-7/8	9-1/4	72 lbs.
36"	506-36-CM-0200	45	18-1/2	13-1/8	31-15/16	9-1/4	89 lbs.
42"	506-42-CM-0200	51	20	15-3/16	36-15/16	9-1/4	99 lbs.
48"	506-48-CM-0200	57	21-7/16	17-1/4	42	9-1/4	112 lbs.
54"	506-54-CM-0200	63	23-3/8	19-5/16	47	9-3/4	132 lbs.
60"	506-60-CM-0200	69	25	21-7/16	52	9-3/4	144 lbs.
72"	506-72-CM-0200	81	27-11/16	25-7/16	61-11/16	9-3/4	163 lbs.



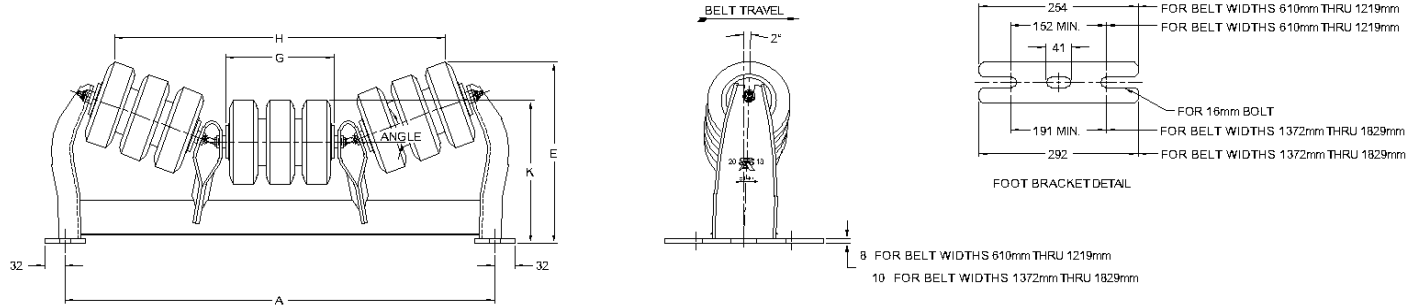
STEPHENS-ADAMSON CONVEYOR COMPONENTS
www.Stephens-Adamson.com

CANADA
Telephone: 1-800-510-3802
Fax: 1-613-967-8128

U.S.A.
Telephone: 1-800-638-6788
Fax: 1-800-866-1438

INTERNATIONAL
Telephone: 1-613-962-3411
Fax: 1-613-967-8128

DS-E-IDL-00-101 C



'Dimensions in Millimeters'

Belt Width	Assembly Part Number	R711-5195-20°-Impact Troughing Idler Dimensions 132 mm dia. Rolls					Assembly Weight
		A	E	G	H	K	
610 mm	505-24-AM-0200	838	303	227	684	222	24 kg.
762 mm	505-30-AM-0200	991	322	279	838	222	28 kg.
914 mm	505-36-AM-0200	1143	338	333	991	222	35 kg.
1067 mm	505-42-AM-0200	1295	357	386	1141	222	39 kg.
1219 mm	505-48-AM-0200	1448	375	438	1294	222	44 kg.
1372 mm	505-54-AM-0200	1600	406	491	1446	235	51 kg.
1524 mm	505-60-AM-0200	1753	424	545	1599	235	55 kg.
1829 mm	505-72-AM-0200	2057	459	646	1891	235	63 kg.

Belt Width	Assembly Part Number	R711-5196-20°-Impact Troughing Idler Dimensions 157 mm dia. Rolls					Assembly Weight
		A	E	G	H	K	
610 mm	506-24-AM-0200	838	316	227	675	235	27 kg.
762 mm	506-30-AM-0200	991	333	279	829	235	31 kg.
914 mm	506-36-AM-0200	1143	351	333	983	235	39 kg.
1067 mm	506-42-AM-0200	1295	368	386	1132	235	44 kg.
1219 mm	506-48-AM-0200	1448	387	438	1286	235	49 kg.
1372 mm	506-54-AM-0200	1600	419	491	1437	248	57 kg.
1524 mm	506-60-AM-0200	1753	437	545	1589	248	62 kg.
1829 mm	506-72-AM-0200	2057	470	646	1881	248	70 kg.

Belt Width	Assembly Part Number	R711-5195-35°-Impact Troughing Idler Dimensions 132 mm dia. Rolls					Assembly Weight
		A	E	G	H	K	
610 mm	505-24-BM-0200	838	356	227	618	222	25 kg.
762 mm	505-30-BM-0200	991	386	279	759	222	29 kg.
914 mm	505-36-BM-0200	1143	414	333	900	222	36 kg.
1067 mm	505-42-BM-0200	1295	446	386	1038	222	40 kg.
1219 mm	505-48-BM-0200	1448	476	438	1178	222	45 kg.
1372 mm	505-54-BM-0200	1600	519	491	1316	235	53 kg.
1524 mm	505-60-BM-0200	1753	549	545	1456	235	57 kg.
1829 mm	505-72-BM-0200	2057	608	646	1724	235	65 kg.

Belt Width	Assembly Part Number	R711-5196-35°-Impact Troughing Idler Dimensions 157 mm dia. Rolls					Assembly Weight
		A	E	G	H	K	
610 mm	506-24-BM-0200	838	365	227	603	235	28 kg.
762 mm	506-30-BM-0200	991	395	279	745	235	32 kg.
914 mm	506-36-BM-0200	1143	425	333	884	235	40 kg.
1067 mm	506-42-BM-0200	1295	456	386	1022	235	45 kg.
1219 mm	506-48-BM-0200	1448	487	438	1162	235	50 kg.
1372 mm	506-54-BM-0200	1600	529	491	1302	248	59 kg.
1524 mm	506-60-BM-0200	1753	559	545	1441	248	64 kg.
1829 mm	506-72-BM-0200	2057	618	646	1707	248	73 kg.

Belt Width	Assembly Part Number	R711-5195-45°-Impact Troughing Idler Dimensions 132 mm dia. Rolls					Assembly Weight
		A	E	G	H	K	
610 mm	505-24-CM-0200	838	384	227	572	222	25 kg.
762 mm	505-30-CM-0200	991	422	279	702	222	29 kg.
914 mm	505-36-CM-0200	1143	457	333	830	222	36 kg.
1067 mm	505-42-CM-0200	1295	495	386	957	222	40 kg.
1219 mm	505-48-CM-0200	1448	533	438	1084	222	45 kg.
1372 mm	505-54-CM-0200	1600	584	491	1211	235	54 kg.
1524 mm	505-60-CM-0200	1753	622	545	1340	235	59 kg.
1829 mm	505-72-CM-0200	2057	694	646	1584	235	66 kg.

Belt Width	Assembly Part Number	R711-5196-45°-Impact Troughing Idler Dimensions 157 mm dia. Rolls					Assembly Weight
		A	E	G	H	K	
610 mm	506-24-CM-0200	838	394	227	554	235	28 kg.
762 mm	506-30-CM-0200	991	432	279	683	235	33 kg.
914 mm	506-36-CM-0200	1143	470	333	811	235	40 kg.
1067 mm	506-42-CM-0200	1295	508	386	938	235	45 kg.
1219 mm	506-48-CM-0200	1448	545	438	1067	235	51 kg.
1372 mm	506-54-CM-0200	1600	594	491	1194	248	60 kg.
1524 mm	506-60-CM-0200	1753	635	545	1321	248	65 kg.
1829 mm	506-72-CM-0200	2057	703	646	1567	248	74 kg.



STEPHENS-ADAMSON CONVEYOR COMPONENTS
www.Stephens-Adamson.com

CANADA
Telephone: 1-800-510-3802
Fax: 1-613-967-8128

U.S.A.
Telephone: 1-800-638-6788
Fax: 1-800-866-1438

INTERNATIONAL
Telephone: 1-613-962-3411
Fax: 1-613-967-8128

DS-E-IDL-00-101 C