

'Dimensions in Inches'

| Belt Width | Assembly Part Number | 5195-20° ST-PA- Troughing Idler Dimensions 5" dia. Rolls | | | | | Assembly Weight |
|------------|----------------------|---|---------|---------|----------|---------|-----------------|
| | | A | G | K | L | M | |
| 24" | 505-24-AT-0200 | 33 | 8-15/16 | 9-1/2 | 30-11/16 | 15-3/4 | 137 lbs. |
| 30" | 505-30-AT-0200 | 39 | 11 | 9-1/2 | 36-3/4 | 16-7/16 | 153 lbs. |
| 36" | 505-36-AT-0200 | 45 | 13-1/8 | 9-1/2 | 42-3/4 | 17-3/16 | 170 lbs. |
| 42" | 505-42-AT-0200 | 51 | 15-3/16 | 9-1/2 | 48-3/4 | 17-7/8 | 190 lbs. |
| 48" | 505-48-AT-0200 | 57 | 17-1/4 | 9-1/2 | 54-3/4 | 18-9/16 | 206 lbs. |
| 54" | 505-54-AT-0200 | 63 | 19-5/16 | 9-11/16 | 60-11/16 | 19-1/4 | 217 lbs. |
| 60" | 505-60-AT-0200 | 69 | 21-7/16 | 9-11/16 | 66-11/16 | 20 | 249 lbs. |
| 72" | 505-72-AT-0200 | 81 | 25-7/16 | 9-11/16 | 78-3/16 | 21-3/8 | 292 lbs. |

| Belt Width | Assembly Part Number | 5196-20° ST-PA- Troughing Idler Dimensions 6" dia. Rolls | | | | | Assembly Weight |
|------------|----------------------|---|---------|---------|----------|---------|-----------------|
| | | A | G | K | L | M | |
| 24" | 506-24-AT-0200 | 33 | 8-15/16 | 10 | 30-11/16 | 15-3/4 | 147 lbs. |
| 30" | 506-30-AT-0200 | 39 | 11 | 10 | 36-3/4 | 16-7/16 | 165 lbs. |
| 36" | 506-36-AT-0200 | 45 | 13-1/8 | 10 | 42-3/4 | 17-3/16 | 184 lbs. |
| 42" | 506-42-AT-0200 | 51 | 15-3/16 | 10 | 48-3/4 | 17-7/8 | 206 lbs. |
| 48" | 506-48-AT-0200 | 57 | 17-1/4 | 10 | 54-3/4 | 18-9/16 | 224 lbs. |
| 54" | 506-54-AT-0200 | 63 | 19-5/16 | 10-3/16 | 60-11/16 | 19-1/4 | 238 lbs. |
| 60" | 506-60-AT-0200 | 69 | 21-7/16 | 10-3/16 | 66-11/16 | 20 | 272 lbs. |
| 72" | 506-72-AT-0200 | 81 | 25-7/16 | 10-3/16 | 78-3/16 | 21-3/8 | 318 lbs. |

| Belt Width | Assembly Part Number | 5195-35° ST-PA- Troughing Idler Dimensions 5" dia. Rolls | | | | | Assembly Weight |
|------------|----------------------|---|---------|---------|---------|----------|-----------------|
| | | A | G | K | L | M | |
| 24" | 505-24-BT-0200 | 33 | 8-15/16 | 9-1/2 | 26-1/2 | 18-3/16 | 138 lbs. |
| 30" | 505-30-BT-0200 | 39 | 11 | 9-1/2 | 32-1/16 | 19-5/16 | 155 lbs. |
| 36" | 505-36-BT-0200 | 45 | 13-1/8 | 9-1/2 | 37-9/16 | 20-9/16 | 172 lbs. |
| 42" | 505-42-BT-0200 | 51 | 15-3/16 | 9-1/2 | 43-1/16 | 21-3/4 | 192 lbs. |
| 48" | 505-48-BT-0200 | 57 | 17-1/4 | 9-1/2 | 48-1/2 | 22-15/16 | 208 lbs. |
| 54" | 505-54-BT-0200 | 63 | 19-5/16 | 9-11/16 | 54 | 24-1/8 | 219 lbs. |
| 60" | 505-60-BT-0200 | 69 | 21-7/16 | 9-11/16 | 59-1/2 | 25-5/16 | 252 lbs. |
| 72" | 505-72-BT-0200 | 81 | 25-7/16 | 9-11/16 | 70-1/16 | 27-5/8 | 295 lbs. |

| Belt Width | Assembly Part Number | 5196-35° ST-PA- Troughing Idler Dimensions 6" dia. Rolls | | | | | Assembly Weight |
|------------|----------------------|---|---------|---------|---------|----------|-----------------|
| | | A | G | K | L | M | |
| 24" | 506-24-BT-0200 | 33 | 8-15/16 | 10 | 26-1/2 | 18-3/16 | 149 lbs. |
| 30" | 506-30-BT-0200 | 39 | 11 | 10 | 32-1/16 | 19-5/16 | 168 lbs. |
| 36" | 506-36-BT-0200 | 45 | 13-1/8 | 10 | 37-9/16 | 20-9/16 | 187 lbs. |
| 42" | 506-42-BT-0200 | 51 | 15-3/16 | 10 | 43-1/16 | 21-3/4 | 209 lbs. |
| 48" | 506-48-BT-0200 | 57 | 17-1/4 | 10 | 48-1/2 | 22-15/16 | 227 lbs. |
| 54" | 506-54-BT-0200 | 63 | 19-5/16 | 10-3/16 | 54 | 24-1/8 | 240 lbs. |
| 60" | 506-60-BT-0200 | 69 | 21-7/16 | 10-3/16 | 59-1/2 | 25-5/16 | 275 lbs. |
| 72" | 506-72-BT-0200 | 81 | 25-7/16 | 10-3/16 | 70-1/16 | 27-5/8 | 322 lbs. |

| Belt Width | Assembly Part Number | 5195-45° ST-PA- Troughing Idler Dimensions 5" dia. Rolls | | | | | Assembly Weight |
|------------|----------------------|---|---------|---------|----------|----------|-----------------|
| | | A | G | K | L | M | |
| 24" | 505-24-CT-0200 | 33 | 8-15/16 | 9-1/2 | 23-5/8 | 19-1/2 | 141 lbs. |
| 30" | 505-30-CT-0200 | 39 | 11 | 9-1/2 | 28-11/16 | 21 | 158 lbs. |
| 36" | 505-36-CT-0200 | 45 | 13-1/8 | 9-1/2 | 33-3/4 | 22-1/2 | 175 lbs. |
| 42" | 505-42-CT-0200 | 51 | 15-3/16 | 9-1/2 | 38-3/4 | 23-15/16 | 196 lbs. |
| 48" | 505-48-CT-0200 | 57 | 17-1/4 | 9-1/2 | 43-3/4 | 25-7/16 | 211 lbs. |
| 54" | 505-54-CT-0200 | 63 | 19-5/16 | 9-11/16 | 48-3/4 | 26-7/8 | 223 lbs. |
| 60" | 505-60-CT-0200 | 69 | 21-7/16 | 9-11/16 | 53-13/16 | 28-3/8 | 255 lbs. |
| 72" | 505-72-CT-0200 | 81 | 25-7/16 | 9-11/16 | 63-7/16 | 31-3/16 | 299 lbs. |

| Belt Width | Assembly Part Number | 5196-45° ST-PA- Troughing Idler Dimensions 6" dia. Rolls | | | | | Assembly Weight |
|------------|----------------------|---|---------|---------|----------|----------|-----------------|
| | | A | G | K | L | M | |
| 24" | 506-24-CT-0200 | 33 | 8-15/16 | 10 | 23-5/8 | 19-1/2 | 152 lbs. |
| 30" | 506-30-CT-0200 | 39 | 11 | 10 | 28-11/16 | 21 | 171 lbs. |
| 36" | 506-36-CT-0200 | 45 | 13-1/8 | 10 | 33-3/4 | 22-1/2 | 190 lbs. |
| 42" | 506-42-CT-0200 | 51 | 15-3/16 | 10 | 38-3/4 | 23-15/16 | 213 lbs. |
| 48" | 506-48-CT-0200 | 57 | 17-1/4 | 10 | 43-3/4 | 25-7/16 | 230 lbs. |
| 54" | 506-54-CT-0200 | 63 | 19-5/16 | 10-3/16 | 48-3/4 | 26-7/8 | 244 lbs. |
| 60" | 506-60-CT-0200 | 69 | 21-7/16 | 10-3/16 | 53-13/16 | 28-3/8 | 278 lbs. |
| 72" | 506-72-CT-0200 | 81 | 25-7/16 | 10-3/16 | 63-7/16 | 31-3/16 | 326 lbs. |



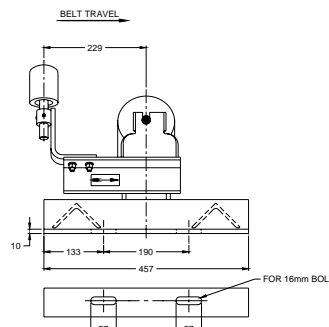
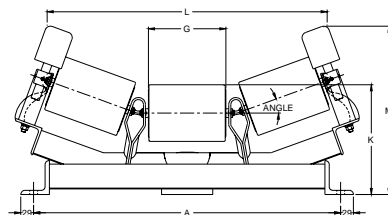
STEPHENS-ADAMSON CONVEYOR COMPONENTS
www.Stephens-Adamson.com

CANADA
Telephone: 1-800-510-3802
Fax: 1-613-967-8128

U.S.A.
Telephone: 1-800-638-6788
Fax: 1-800-866-1438

INTERNATIONAL
Telephone: 1-613-962-3411
Fax: 1-613-967-8128

DS-E-IDL-00-102 A



'Dimensions in Millimeters'

| Belt Width | Assembly Part Number | 5195-20° ST-PA- Troughing Idler Dimensions 127 mm dia. Rolls | | | | | Assembly Weight |
|------------|----------------------|---|-----|-----|------|-----|-----------------|
| | | A | G | K | L | M | |
| 610 mm | 505-24-AT-0200 | 838 | 227 | 241 | 779 | 400 | 62 kg. |
| 762 mm | 505-30-AT-0200 | 991 | 279 | 241 | 933 | 418 | 69 kg. |
| 914 mm | 505-36-AT-0200 | 1143 | 333 | 241 | 1086 | 437 | 77 kg. |
| 1067 mm | 505-42-AT-0200 | 1295 | 386 | 241 | 1238 | 454 | 86 kg. |
| 1219 mm | 505-48-AT-0200 | 1448 | 438 | 241 | 1391 | 471 | 93 kg. |
| 1372 mm | 505-54-AT-0200 | 1600 | 491 | 246 | 1541 | 489 | 98 kg. |
| 1524 mm | 505-60-AT-0200 | 1753 | 545 | 246 | 1694 | 508 | 113 kg. |
| 1829 mm | 505-72-AT-0200 | 2057 | 646 | 246 | 1986 | 543 | 132 kg. |

| Belt Width | Assembly Part Number | 5196-20° ST-PA- Troughing Idler Dimensions 152 mm dia. Rolls | | | | | Assembly Weight |
|------------|----------------------|---|-----|-----|------|-----|-----------------|
| | | A | G | K | L | M | |
| 610 mm | 506-24-AT-0200 | 838 | 227 | 254 | 779 | 400 | 67 kg. |
| 762 mm | 506-30-AT-0200 | 991 | 279 | 254 | 933 | 418 | 75 kg. |
| 914 mm | 506-36-AT-0200 | 1143 | 333 | 254 | 1086 | 437 | 83 kg. |
| 1067 mm | 506-42-AT-0200 | 1295 | 386 | 254 | 1238 | 454 | 93 kg. |
| 1219 mm | 506-48-AT-0200 | 1448 | 438 | 254 | 1391 | 471 | 102 kg. |
| 1372 mm | 506-54-AT-0200 | 1600 | 491 | 259 | 1541 | 489 | 108 kg. |
| 1524 mm | 506-60-AT-0200 | 1753 | 545 | 259 | 1694 | 508 | 123 kg. |
| 1829 mm | 506-72-AT-0200 | 2057 | 646 | 259 | 1986 | 543 | 144 kg. |

| Belt Width | Assembly Part Number | 5195-35° ST-PA- Troughing Idler Dimensions 127 mm dia. Rolls | | | | | Assembly Weight |
|------------|----------------------|---|-----|-----|------|-----|-----------------|
| | | A | G | K | L | M | |
| 610 mm | 505-24-BT-0200 | 838 | 227 | 241 | 673 | 462 | 63 kg. |
| 762 mm | 505-30-BT-0200 | 991 | 279 | 241 | 814 | 491 | 70 kg. |
| 914 mm | 505-36-BT-0200 | 1143 | 333 | 241 | 954 | 522 | 78 kg. |
| 1067 mm | 505-42-BT-0200 | 1295 | 386 | 241 | 1094 | 552 | 87 kg. |
| 1219 mm | 505-48-BT-0200 | 1448 | 438 | 241 | 1232 | 583 | 94 kg. |
| 1372 mm | 505-54-BT-0200 | 1600 | 491 | 246 | 1372 | 613 | 99 kg. |
| 1524 mm | 505-60-BT-0200 | 1753 | 545 | 246 | 1511 | 643 | 114 kg. |
| 1829 mm | 505-72-BT-0200 | 2057 | 646 | 246 | 1780 | 702 | 134 kg. |

| Belt Width | Assembly Part Number | 5196-35° ST-PA- Troughing Idler Dimensions 152 mm dia. Rolls | | | | | Assembly Weight |
|------------|----------------------|---|-----|-----|------|-----|-----------------|
| | | A | G | K | L | M | |
| 610 mm | 506-24-BT-0200 | 838 | 227 | 254 | 673 | 462 | 68 kg. |
| 762 mm | 506-30-BT-0200 | 991 | 279 | 254 | 814 | 491 | 76 kg. |
| 914 mm | 506-36-BT-0200 | 1143 | 333 | 254 | 954 | 522 | 85 kg. |
| 1067 mm | 506-42-BT-0200 | 1295 | 386 | 254 | 1094 | 552 | 95 kg. |
| 1219 mm | 506-48-BT-0200 | 1448 | 438 | 254 | 1232 | 583 | 103 kg. |
| 1372 mm | 506-54-BT-0200 | 1600 | 491 | 259 | 1372 | 613 | 109 kg. |
| 1524 mm | 506-60-BT-0200 | 1753 | 545 | 259 | 1511 | 643 | 125 kg. |
| 1829 mm | 506-72-BT-0200 | 2057 | 646 | 259 | 1780 | 702 | 146 kg. |

| Belt Width | Assembly Part Number | 5195-45° ST-PA- Troughing Idler Dimensions 127 mm dia. Rolls | | | | | Assembly Weight |
|------------|----------------------|---|-----|-----|------|-----|-----------------|
| | | A | G | K | L | M | |
| 610 mm | 505-24-CT-0200 | 838 | 227 | 241 | 600 | 495 | 64 kg. |
| 762 mm | 505-30-CT-0200 | 991 | 279 | 241 | 729 | 533 | 72 kg. |
| 914 mm | 505-36-CT-0200 | 1143 | 333 | 241 | 857 | 572 | 79 kg. |
| 1067 mm | 505-42-CT-0200 | 1295 | 386 | 241 | 984 | 608 | 89 kg. |
| 1219 mm | 505-48-CT-0200 | 1448 | 438 | 241 | 1111 | 646 | 96 kg. |
| 1372 mm | 505-54-CT-0200 | 1600 | 491 | 246 | 1238 | 683 | 101 kg. |
| 1524 mm | 505-60-CT-0200 | 1753 | 545 | 246 | 1367 | 721 | 116 kg. |
| 1829 mm | 505-72-CT-0200 | 2057 | 646 | 246 | 1611 | 792 | 136 kg. |

| Belt Width | Assembly Part Number | 5196-45° ST-PA- Troughing Idler Dimensions 152 mm dia. Rolls | | | | | Assembly Weight |
|------------|----------------------|---|-----|-----|------|-----|-----------------|
| | | A | G | K | L | M | |
| 610 mm | 506-24-CT-0200 | 838 | 227 | 254 | 600 | 495 | 69 kg. |
| 762 mm | 506-30-CT-0200 | 991 | 279 | 254 | 729 | 533 | 78 kg. |
| 914 mm | 506-36-CT-0200 | 1143 | 333 | 254 | 857 | 572 | 86 kg. |
| 1067 mm | 506-42-CT-0200 | 1295 | 386 | 254 | 984 | 608 | 97 kg. |
| 1219 mm | 506-48-CT-0200 | 1448 | 438 | 254 | 1111 | 646 | 104 kg. |
| 1372 mm | 506-54-CT-0200 | 1600 | 491 | 259 | 1238 | 683 | 111 kg. |
| 1524 mm | 506-60-CT-0200 | 1753 | 545 | 259 | 1367 | 721 | 126 kg. |
| 1829 mm | 506-72-CT-0200 | 2057 | 646 | 259 | 1611 | 792 | 148 kg. |



STEPHENS-ADAMSON CONVEYOR COMPONENTS

www.Stephens-Adamson.com

CANADA
Telephone: 1-800-510-3802
Fax: 1-613-967-8128

U.S.A.
Telephone: 1-800-638-6788
Fax: 1-800-866-1438

INTERNATIONAL
Telephone: 1-613-962-3411
Fax: 1-613-967-8128

DS-E-IDL-00-102 A