

'Dimensions in Inches'

Belt Width	Assembly Part Number	5195-20°-Impact Picking Table Idler Dimensions 5-3/16" dia. Rolls					Assembly Weight
		A	E	G	H	K	
24"	505-24-AM-P200	33	11-1/4	12-7/8	27-3/4	8-3/4	53 lbs.
30"	505-30-AM-P200	39	11-1/4	18-7/8	33-3/4	8-3/4	61 lbs.
36"	505-36-AM-P200	45	11-1/4	24-7/8	39-3/4	8-3/4	66 lbs.
42"	505-42-AM-P200	51	11-1/4	30-7/8	45-3/4	8-3/4	73 lbs.
48"	505-48-AM-P200	57	11-1/4	36-7/8	51-3/4	8-3/4	82 lbs.
54"	505-54-AM-P200	63	11-1/2	42-7/8	57-3/4	9-1/4	90 lbs.
60"	505-60-AM-P200	69	11-1/2	48-7/8	63-3/4	9-1/4	95 lbs.
72"	505-72-AM-P200	81	11-1/2	60-7/8	75-3/4	9-1/4	100 lbs.

Belt Width	Assembly Part Number	5196-20°-Impact Picking Table Idler Dimensions 6-3/16" dia. Rolls					Assembly Weight
		A	E	G	H	K	
24"	506-24-AM-P200	33	11-3/4	12-7/8	27-7/16	9-1/4	62 lbs.
30"	506-30-AM-P200	39	11-3/4	18-7/8	33-7/16	9-1/4	71 lbs.
36"	506-36-AM-P200	45	11-3/4	24-7/8	39-7/16	9-1/4	78 lbs.
42"	506-42-AM-P200	51	11-3/4	30-7/8	45-7/16	9-1/4	85 lbs.
48"	506-48-AM-P200	57	11-3/4	36-7/8	51-7/16	9-1/4	98 lbs.
54"	506-54-AM-P200	63	12	42-7/8	57-7/16	9-3/4	108 lbs.
60"	506-60-AM-P200	69	12	48-7/8	63-7/16	9-3/4	113 lbs.
72"	506-72-AM-P200	81	12	60-7/8	75-7/16	9-3/4	118 lbs.

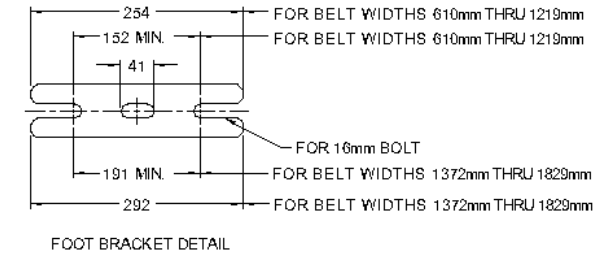
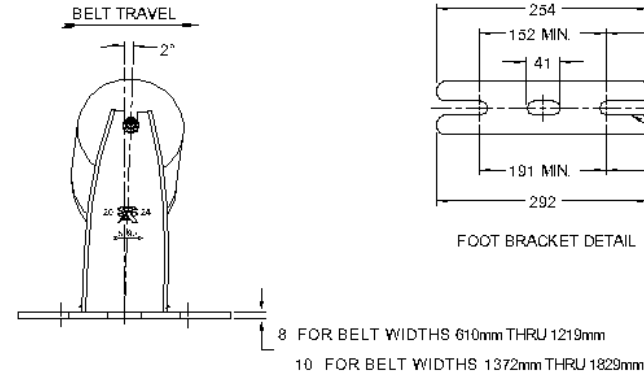
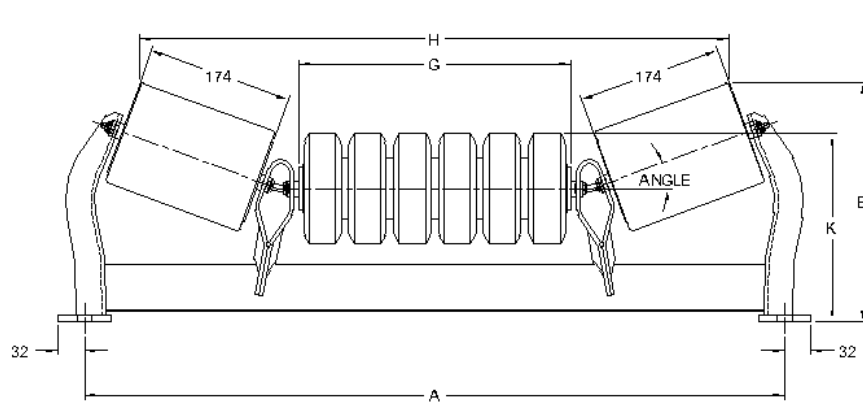


**STEPHENS-ADAMSON CONVEYOR COMPONENTS**  
www.Stephens-Adamson.com

CANADA  
Telephone: 1-800-510-3802  
Fax: 1-613-967-8128

U.S.A.  
Telephone: 1-800-638-6788  
Fax: 1-800-866-1438

INTERNATIONAL  
Telephone: 1-613-962-3411  
Fax: 1-613-967-8128



'Dimensions in Millimeters'

Belt Width	Assembly Part Number	5195-20°-Impact Picking Table Idler Dimensions 132 mm dia. Rolls					Assembly Weight
		A	E	G	H	K	
610 mm	505-24-AM-P200	838	286	327	705	222	24 kg.
762 mm	505-30-AM-P200	991	286	479	857	222	28 kg.
914 mm	505-36-AM-P200	1143	286	632	1010	222	30 kg.
1067 mm	505-42-AM-P200	1295	286	784	1162	222	33 kg.
1219 mm	505-48-AM-P200	1448	286	937	1314	222	37 kg.
1372 mm	505-54-AM-P200	1600	292	1089	1467	235	41 kg.
1524 mm	505-60-AM-P200	1753	292	1241	1619	235	43 kg.
1829 mm	505-72-AM-P200	2057	292	1546	1924	235	45 kg.

Belt Width	Assembly Part Number	5196-20°-Impact Picking Table Idler Dimensions 157 mm dia. Rolls					Assembly Weight
		A	E	G	H	K	
610 mm	506-24-AM-P200	838	298	327	697	235	28 kg.
762 mm	506-30-AM-P200	991	298	479	849	235	32 kg.
914 mm	506-36-AM-P200	1143	298	632	1002	235	35 kg.
1067 mm	506-42-AM-P200	1295	298	784	1154	235	39 kg.
1219 mm	506-48-AM-P200	1448	298	937	1307	235	44 kg.
1372 mm	506-54-AM-P200	1600	305	1089	1459	248	49 kg.
1524 mm	506-60-AM-P200	1753	305	1241	1611	248	51 kg.
1829 mm	506-72-AM-P200	2057	305	1546	1916	248	54 kg.



**STEPHENS-ADAMSON CONVEYOR COMPONENTS**  
www.Stephens-Adamson.com

CANADA  
Telephone: 1-800-510-3802  
Fax: 1-613-967-8128

U.S.A.  
Telephone: 1-800-638-6788  
Fax: 1-800-866-1438

INTERNATIONAL  
Telephone: 1-613-962-3411  
Fax: 1-613-967-8128