

Belt Width	Roller Assembly Part Number	5195- 1-1/2" Return Idler Dimensions 5" dia. Rolls		Assembly Weight
		A	G	
24"	505-24-91-0200	33	29-1/4	25 lbs.
30"	505-30-91-0200	39	35-1/4	29 lbs.
36"	505-36-91-0200	45	41-1/4	34 lbs.
42"	505-42-91-0200	51	47-1/4	38 lbs.
48"	505-48-91-0200	57	53-1/4	42 lbs.
54"	505-54-91-0200	63	59-1/4	51 lbs.
60"	505-60-91-0200	69	65-1/4	56 lbs.
72"	505-72-91-0200	81	77-1/4	61 lbs.

Belt Width	Roller Assembly Part Number	5196- 1-1/2" Return Idler Dimensions 6" dia. Rolls		Assembly Weight
		A	G	
24"	506-24-91-0200	33	29-1/4	39 lbs.
30"	506-30-91-0200	39	35-1/4	45 lbs.
36"	506-36-91-0200	45	41-1/4	52 lbs.
42"	506-42-91-0200	51	47-1/4	58 lbs.
48"	506-48-91-0200	57	53-1/4	64 lbs.
54"	506-54-91-0200	63	59-1/4	75 lbs.
60"	506-60-91-0200	69	65-1/4	81 lbs.
72"	506-72-91-0200	81	77-1/4	87 lbs.

**1-1/2" Drop Bracket  
Part Number**

MD-IDL19-88-00

**Note:** BRACKETS ARE PRICED AND SOLD SEPARATELY, TWO BRACKETS ARE REQUIRED PER ROLLER.

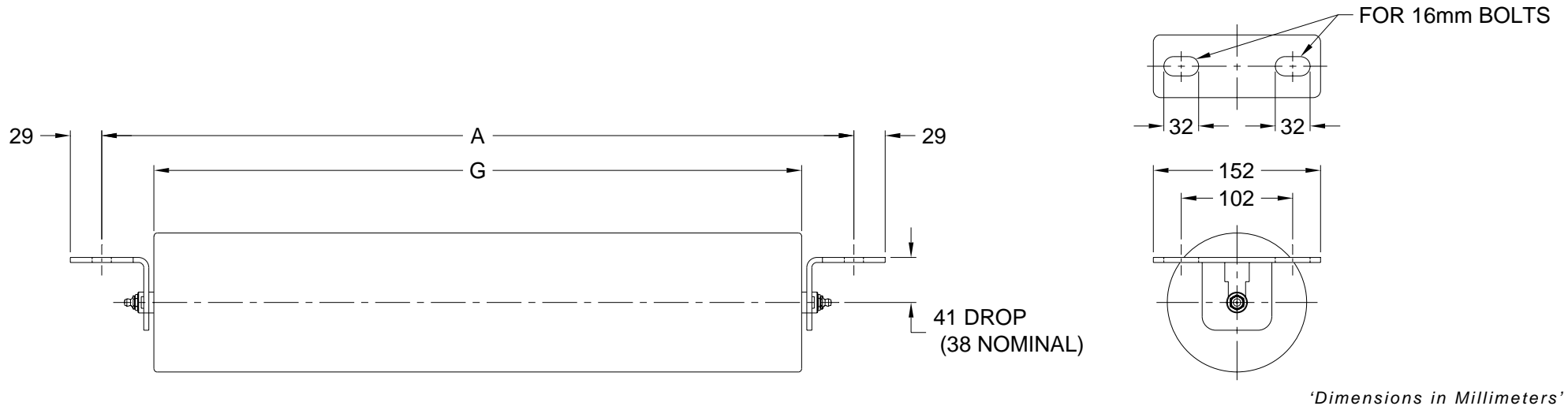


**STEPHENS-ADAMSON CONVEYOR COMPONENTS**  
www.Stephens-Adamson.com

CANADA  
Telephone: 1-800-510-3802  
Fax: 1-613-967-8128

U.S.A.  
Telephone: 1-800-638-6788  
Fax: 1-800-866-1438

INTERNATIONAL  
Telephone: 1-613-962-3411  
Fax: 1-613-967-8128



Belt Width	Roller Assembly Part Number	5195- 38 mm Return Idler Dimensions 127 mm dia. Rolls		Assembly Weight
		A	G	
610 mm	505-24-91-0200	838	743	11 kg.
762 mm	505-30-91-0200	991	895	13 kg.
914 mm	505-36-91-0200	1143	1048	15 kg.
1067 mm	505-42-91-0200	1295	1200	17 kg.
1219 mm	505-48-91-0200	1448	1353	19 kg.
1372 mm	505-54-91-0200	1600	1505	23 kg.
1524 mm	505-60-91-0200	1753	1657	25 kg.
1829 mm	505-72-91-0200	2057	1962	28 kg.

Belt Width	Roller Assembly Part Number	5196- 38 mm Return Idler Dimensions 152 mm dia. Rolls		Assembly Weight
		A	G	
610 mm	506-24-91-0200	838	743	18 kg.
762 mm	506-30-91-0200	991	895	20 kg.
914 mm	506-36-91-0200	1143	1048	24 kg.
1067 mm	506-42-91-0200	1295	1200	26 kg.
1219 mm	506-48-91-0200	1448	1353	29 kg.
1372 mm	506-54-91-0200	1600	1505	34 kg.
1524 mm	506-60-91-0200	1753	1657	37 kg.
1829 mm	506-72-91-0200	2057	1962	39 kg.

**38 mm Drop Bracket  
Part Number**

MD-IDL19-88-00

**Note:** BRACKETS ARE PRICED AND SOLD SEPARATELY, TWO BRACKETS ARE REQUIRED PER ROLLER.



**STEPHENS-ADAMSON CONVEYOR COMPONENTS**  
www.Stephens-Adamson.com

CANADA  
Telephone: 1-800-510-3802  
Fax: 1-613-967-8128

U.S.A.  
Telephone: 1-800-638-6788  
Fax: 1-800-866-1438

INTERNATIONAL  
Telephone: 1-613-962-3411  
Fax: 1-613-967-8128