

'Dimensions in Inches'

Belt Width	Roller Assembly Part Number	R710-5195-1-1/2" Return Idler Dimensions 5" dia. Rolls		Assembly Weight
		A	G	
24"	505-24-92-0200	33	29-1/4	30 lbs.
30"	505-30-92-0200	39	35-1/4	34 lbs.
36"	505-36-92-0200	45	41-1/4	38 lbs.
42"	505-42-92-0200	51	47-1/4	42 lbs.
48"	505-48-92-0200	57	53-1/4	47 lbs.
54"	505-54-92-0200	63	59-1/4	52 lbs.
60"	505-60-92-0200	69	65-1/4	56 lbs.
72"	505-72-92-0200	81	77-1/4	65 lbs.

Belt Width	Roller Assembly Part Number	R710-5196- 1-1/2" Return Idler Dimensions 6" dia. Rolls		Assembly Weight
		A	G	
24"	506-24-92-0200	33	29-1/4	33 lbs.
30"	506-30-92-0200	39	35-1/4	37 lbs.
36"	506-36-92-0200	45	41-1/4	41 lbs.
42"	506-42-92-0200	51	47-1/4	45 lbs.
48"	506-48-92-0200	57	53-1/4	48 lbs.
54"	506-54-92-0200	63	59-1/4	58 lbs.
60"	506-60-92-0200	69	65-1/4	63 lbs.
72"	506-72-92-0200	81	77-1/4	68 lbs.

**1-1/2" Drop Bracket
Part Number**

MD-IDL19-88-00

Note: BRACKETS ARE PRICED AND SOLD SEPARATELY, TWO BRACKETS ARE REQUIRED PER ROLLER.

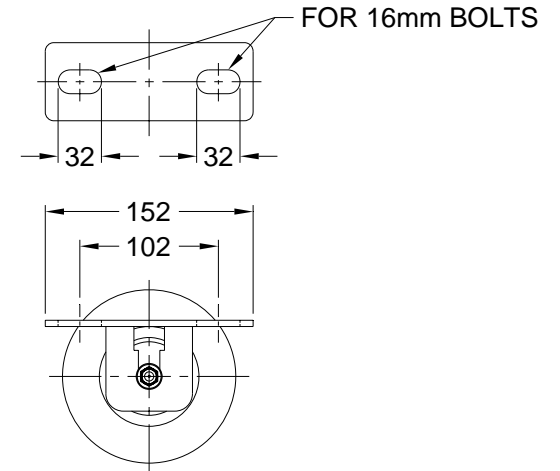
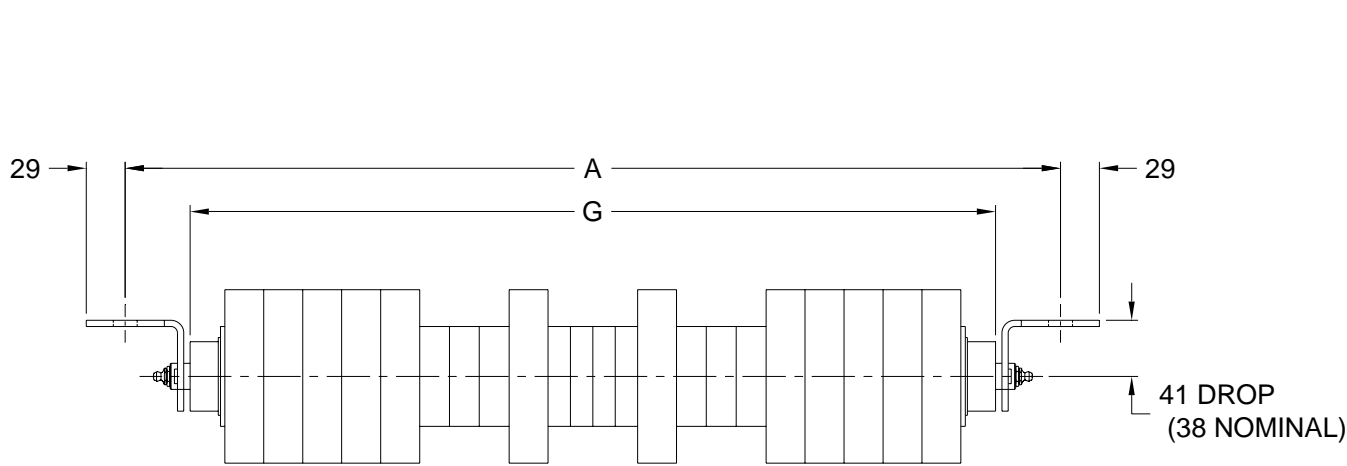


STEPHENS-ADAMSON CONVEYOR COMPONENTS
www.Stephens-Adamson.com

CANADA
Telephone: 1-800-510-3802
Fax: 1-613-967-8128

U.S.A.
Telephone: 1-800-638-6788
Fax: 1-800-866-1438

INTERNATIONAL
Telephone: 1-613-962-3411
Fax: 1-613-967-8128



'Dimensions in Millimeters'

Belt Width	Roller Assembly Part Number	R710-5195- 38 mm Return Idler Dimensions 127 mm dia. Rolls		Assembly Weight
		A	G	
610 mm	505-24-92-0200	838	743	14 kg.
762 mm	505-30-92-0200	991	895	15 kg.
914 mm	505-36-92-0200	1143	1048	17 kg.
1067 mm	505-42-92-0200	1295	1200	19 kg.
1219 mm	505-48-92-0200	1448	1353	21 kg.
1372 mm	505-54-92-0200	1600	1505	24 kg.
1524 mm	505-60-92-0200	1753	1657	25 kg.
1829 mm	505-72-92-0200	2057	1962	29 kg.

Belt Width	Roller Assembly Part Number	R710-5196- 38 mm Return Idler Dimensions 152 mm dia. Rolls		Assembly Weight
		A	G	
610 mm	506-24-92-0200	838	743	15 kg.
762 mm	506-30-92-0200	991	895	17 kg.
914 mm	506-36-92-0200	1143	1048	19 kg.
1067 mm	506-42-92-0200	1295	1200	20 kg.
1219 mm	506-48-92-0200	1448	1353	22 kg.
1372 mm	506-54-92-0200	1600	1505	26 kg.
1524 mm	506-60-92-0200	1753	1657	29 kg.
1829 mm	506-72-92-0200	2057	1962	31 kg.

**38 mm Drop Bracket
Part Number**

MD-IDL19-88-00

Note: BRACKETS ARE PRICED AND SOLD SEPARATELY, TWO BRACKETS ARE REQUIRED PER ROLLER.



STEPHENS-ADAMSON CONVEYOR COMPONENTS
www.Stephens-Adamson.com

CANADA
Telephone: 1-800-510-3802
Fax: 1-613-967-8128

U.S.A.
Telephone: 1-800-638-6788
Fax: 1-800-866-1438

INTERNATIONAL
Telephone: 1-613-962-3411
Fax: 1-613-967-8128