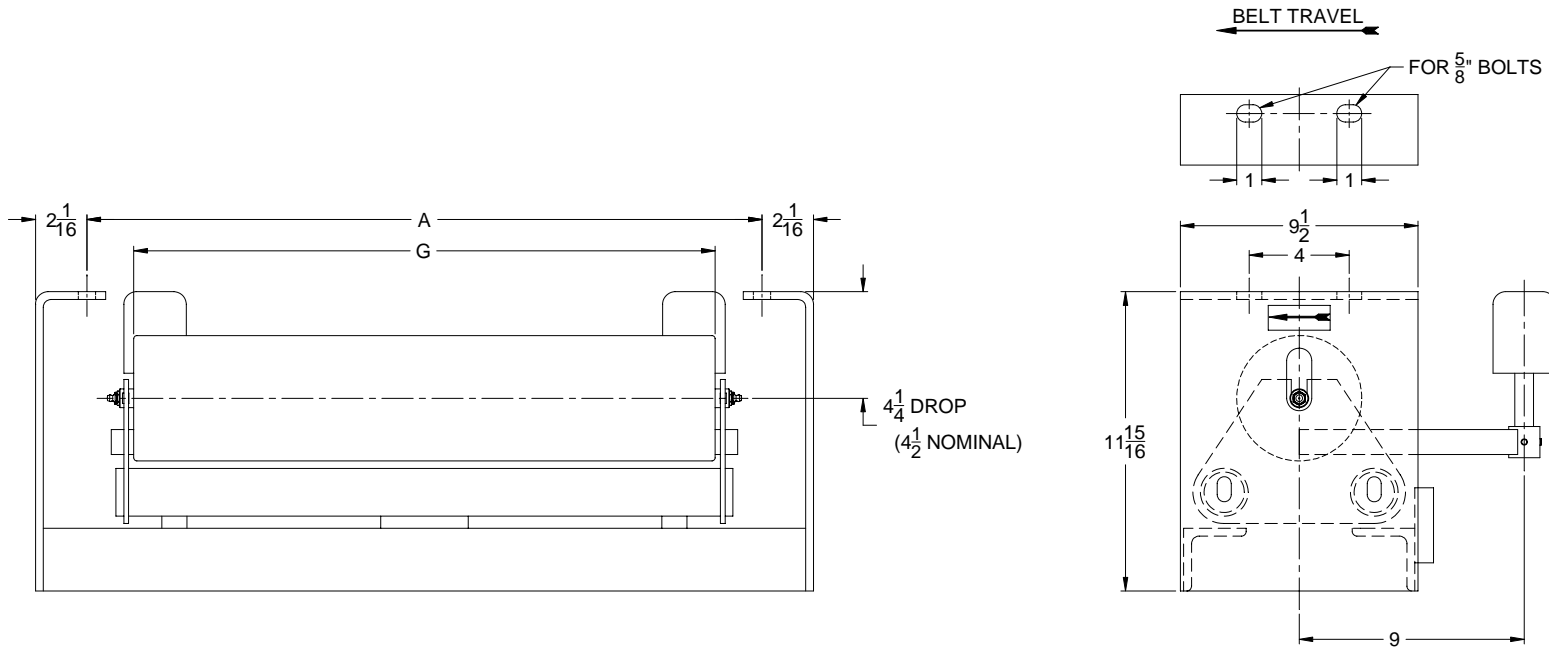




Note: Dimensions for REFERENCE ONLY and ARE SUBJECT TO CHANGE WITHOUT NOTICE.  
Contact us for Certified Dimensions Prints.

# CEMA "D" 5190 Series 4-1/2" ST-PA Return Idlers - Regreasable



'Dimensions in Inches'

Belt Width	Assembly Part Number	5195-4-1/2"-ST-PA Return Idler Dimensions 5" dia. Rolls		Assembly Weight
		A	G	
24"	505-24-64-0200	33	29-1/4	114 lbs.
30"	505-30-64-0200	39	35-1/4	127 lbs.
36"	505-36-64-0200	45	41-1/4	147 lbs.
42"	505-42-64-0200	51	47-1/4	159 lbs.
48"	505-48-64-0200	57	53-1/4	172 lbs.
54"	505-54-64-0200	63	59-1/4	183 lbs.
60"	505-60-64-0200	69	65-1/4	196 lbs.
72"	505-72-64-0200	81	77-1/4	262 lbs.

Belt Width	Assembly Part Number	5196-4-1/2"-ST-PA Return Idler Dimensions 6" dia. Rolls		Assembly Weight
		A	G	
24"	506-24-64-0200	33	29-1/4	124 lbs.
30"	506-30-64-0200	39	35-1/4	138 lbs.
36"	506-36-64-0200	45	41-1/4	161 lbs.
42"	506-42-64-0200	51	47-1/4	175 lbs.
48"	506-48-64-0200	57	53-1/4	189 lbs.
54"	506-54-64-0200	63	59-1/4	203 lbs.
60"	506-60-64-0200	69	65-1/4	217 lbs.
72"	506-72-64-0200	81	77-1/4	287 lbs.



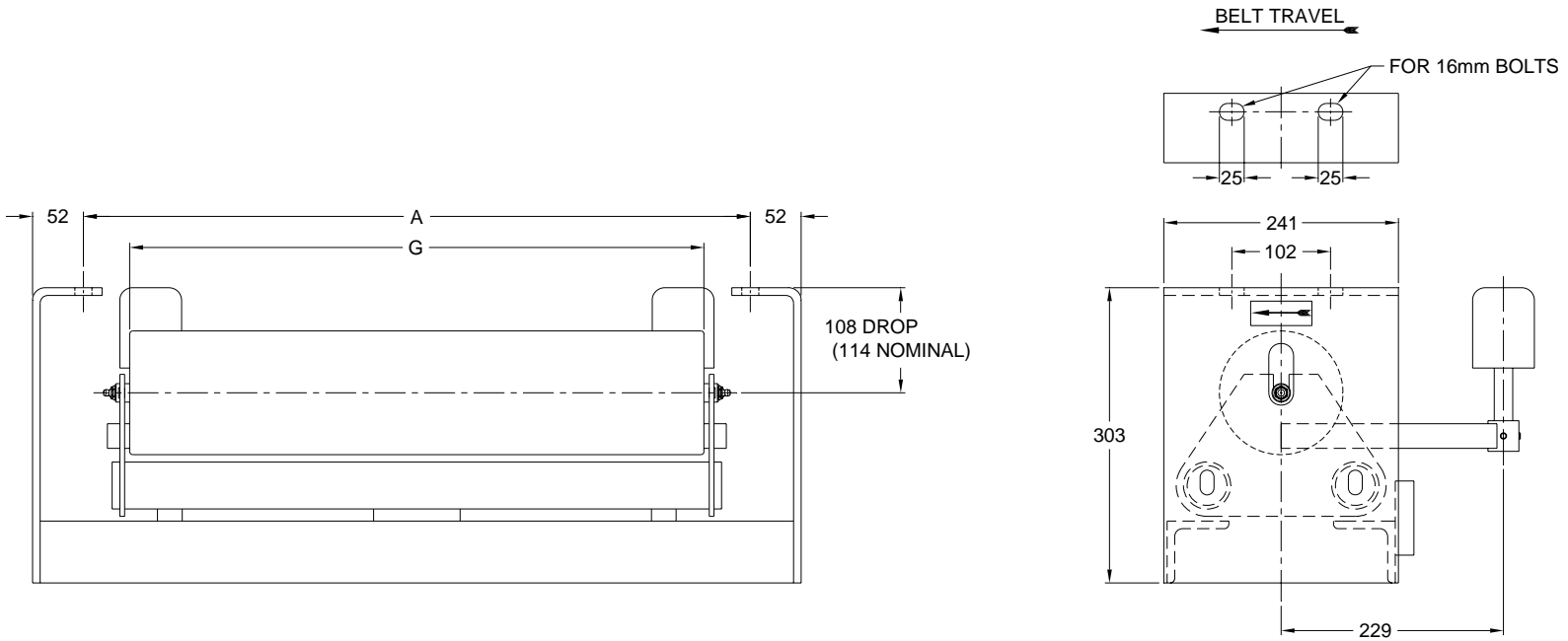
**STEPHENS-ADAMSON CONVEYOR COMPONENTS**  
www.Stephens-Adams.com

CANADA  
Telephone: 1-800-510-3802  
Fax: 1-613-967-8128

U.S.A.  
Telephone: 1-800-638-6788  
Fax: 1-800-866-1438

INTERNATIONAL  
Telephone: 1-613-962-3411  
Fax: 1-613-967-8128

DS-E-IDL-00-110 A



'Dimensions in Millimeters'

Belt Width	Assembly Part Number	5195-114 mm-ST-PA Return Idler Dimensions 127 mm dia. Rolls		Assembly Weight
		A	G	
610 mm	505-24-64-0200	838	743	52 kg.
762 mm	505-30-64-0200	991	895	58 kg.
914 mm	505-36-64-0200	1143	1048	67 kg.
1067 mm	505-42-64-0200	1295	1200	72 kg.
1219 mm	505-48-64-0200	1448	1353	78 kg.
1372 mm	505-54-64-0200	1600	1505	83 kg.
1524 mm	505-60-64-0200	1753	1657	89 kg.
1829 mm	505-72-64-0200	2057	1962	119 kg.

Belt Width	Assembly Part Number	5196-114 mm-ST-PA Return Idler Dimensions 152 mm dia. Rolls		Assembly Weight
		A	G	
610 mm	506-24-64-0200	838	743	56 kg.
762 mm	506-30-64-0200	991	895	63 kg.
914 mm	506-36-64-0200	1143	1048	73 kg.
1067 mm	506-42-64-0200	1295	1200	79 kg.
1219 mm	506-48-64-0200	1448	1353	86 kg.
1372 mm	506-54-64-0200	1600	1505	92 kg.
1524 mm	506-60-64-0200	1753	1657	98 kg.
1829 mm	506-72-64-0200	2057	1962	130 kg.



**STEPHENS-ADAMSON CONVEYOR COMPONENTS**  
www.Stephens-Adamson.com

CANADA  
Telephone: 1-800-510-3802  
Fax: 1-613-967-8128

U.S.A.  
Telephone: 1-800-638-6788  
Fax: 1-800-866-1438

INTERNATIONAL  
Telephone: 1-613-962-3411  
Fax: 1-613-967-8128