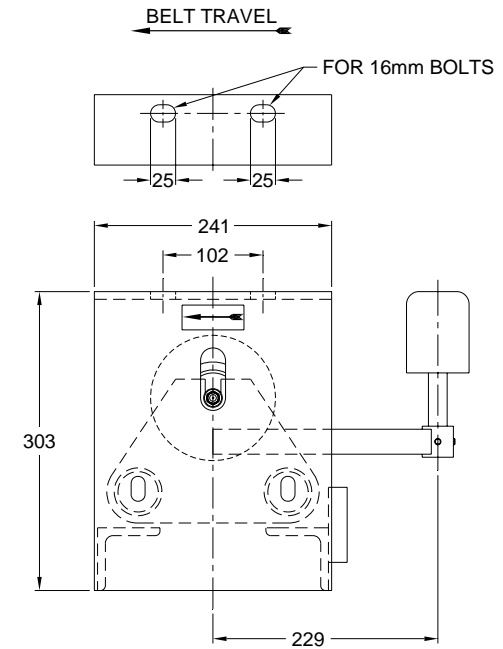
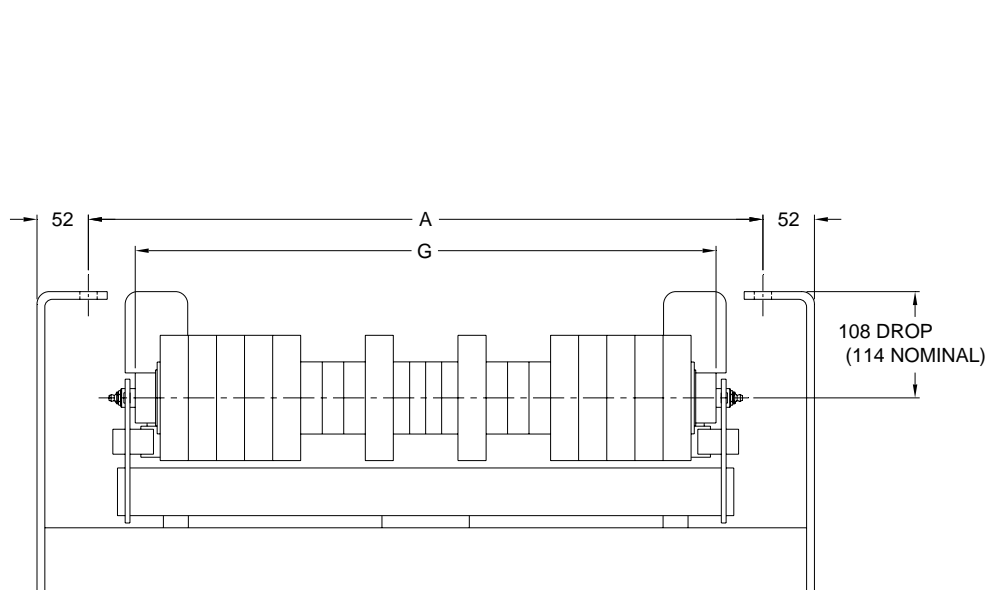


'Dimensions in Inches'

Belt Width	Assembly Part Number	R710-5195- 4-1/2"-ST-PA Rubber Disc Return Idler Dimensions 5" dia. Rolls		Assembly Weight
		A	G	
24"	505-24-65-0200	33	29-1/4	118 lbs.
30"	505-30-65-0200	39	35-1/4	131 lbs.
36"	505-36-65-0200	45	41-1/4	150 lbs.
42"	505-42-65-0200	51	47-1/4	162 lbs.
48"	505-48-65-0200	57	53-1/4	175 lbs.
54"	505-54-65-0200	63	59-1/4	187 lbs.
60"	505-60-65-0200	69	65-1/4	199 lbs.
72"	505-72-65-0200	81	77-1/4	266 lbs.

Belt Width	Assembly Part Number	R710-5196- 4-1/2"-ST-PA Rubber Disc Return Idler Dimensions 6" dia. Rolls		Assembly Weight
		A	G	
24"	506-24-65-0200	33	29-1/4	120 lbs.
30"	506-30-65-0200	39	35-1/4	133 lbs.
36"	506-36-65-0200	45	41-1/4	152 lbs.
42"	506-42-65-0200	51	47-1/4	164 lbs.
48"	506-48-65-0200	57	53-1/4	177 lbs.
54"	506-54-65-0200	63	59-1/4	189 lbs.
60"	506-60-65-0200	69	65-1/4	201 lbs.
72"	506-72-65-0200	81	77-1/4	268 lbs.





'Dimensions in Millimeters'

Belt Width	Assembly Part Number	R710-5195- 114 mm - ST-PA Rubber Disc Return Idler Dimensions 127 mm dia. Rolls		Assembly Weight
		A	G	
610 mm	505-24-65-0200	838	743	54 kg.
762 mm	505-30-65-0200	991	895	59 kg.
914 mm	505-36-65-0200	1143	1048	68 kg.
1067 mm	505-42-65-0200	1295	1200	73 kg.
1219 mm	505-48-65-0200	1448	1353	79 kg.
1372 mm	505-54-65-0200	1600	1505	85 kg.
1524 mm	505-60-65-0200	1753	1657	90 kg.
1829 mm	505-72-65-0200	2057	1962	121 kg.

Belt Width	Assembly Part Number	R710-5196- 114 mm - ST-PA Rubber Disc Return Idler Dimensions 152 mm dia. Rolls		Assembly Weight
		A	G	
610 mm	506-24-65-0200	838	743	54 kg.
762 mm	506-30-65-0200	991	895	60 kg.
914 mm	506-36-65-0200	1143	1048	69 kg.
1067 mm	506-42-65-0200	1295	1200	74 kg.
1219 mm	506-48-65-0200	1448	1353	80 kg.
1372 mm	506-54-65-0200	1600	1505	86 kg.
1524 mm	506-60-65-0200	1753	1657	91 kg.
1829 mm	506-72-65-0200	2057	1962	122 kg.

