

'Dimensions in Inches'

Belt Width	Assembly Part Number	5195-10°-V Return Idler - Steel Roll Dimensions 5" dia. Rolls				Assembly Weight
		A	G	K	R	
24"	505-24-G3-0200	33	13-1/8	6-3/4	14-7/8	61 lbs.
30"	505-30-G3-0200	39	17-1/4	7-1/2	15-5/8	69 lbs.
36"	505-36-G3-0200	45	19-5/16	7-7/8	16-1/8	79 lbs.
42"	505-42-G3-0200	51	23-1/4	8-1/2	16-3/4	88 lbs.
48"	505-48-G3-0200	57	26-1/4	9	17-1/2	100 lbs.
54"	505-54-G3-0200	63	29-1/4	9-5/8	18-1/4	108 lbs.
60"	505-60-G3-0200	69	32-1/4	10-1/8	19-1/8	120 lbs.
72"	505-72-G3-0200	81	38-1/4	11-1/4	20-1/4	160 lbs.

Belt Width	Assembly Part Number	5196-10°-V Return Idler - Steel Roll Dimensions 6" dia. Rolls				Assembly Weight
		A	G	K	R	
24"	506-24-G3-0200	33	13-1/8	6-1/4	14-7/8	72 lbs.
30"	506-30-G3-0200	39	17-1/4	7	15-5/8	83 lbs.
36"	506-36-G3-0200	45	19-5/16	7-3/8	16-1/8	94 lbs.
42"	506-42-G3-0200	51	23-1/4	8	16-3/4	100 lbs.
48"	506-48-G3-0200	57	26-1/4	8-1/2	17-1/2	113 lbs.
54"	506-54-G3-0200	63	29-1/4	9-1/8	18-1/4	123 lbs.
60"	506-60-G3-0200	69	32-1/4	9-5/8	19-1/8	136 lbs.
72"	506-72-G3-0200	81	38-1/4	11-3/4	20-1/4	178 lbs.



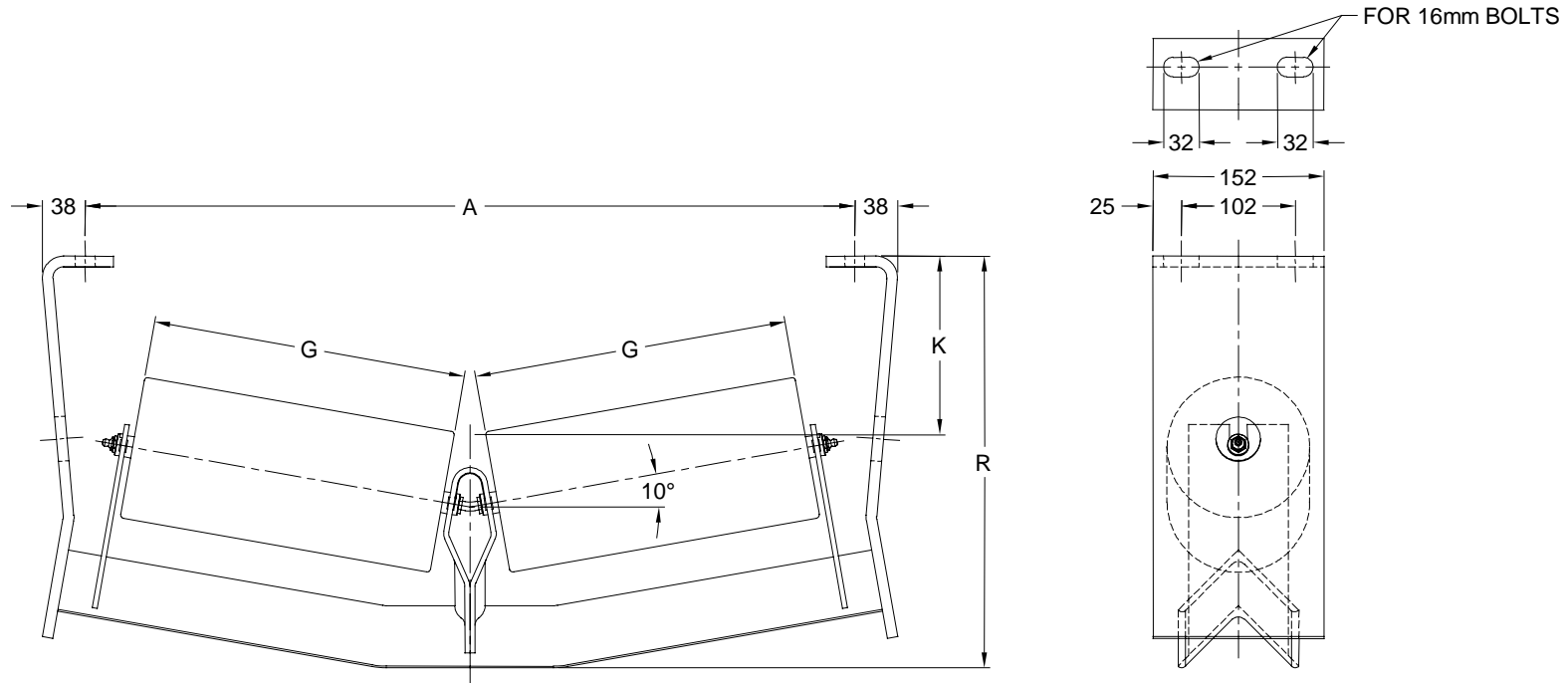
STEPHENS-ADAMSON CONVEYOR COMPONENTS
www.Stephens-Adamson.com

CANADA
Telephone: 1-800-510-3802
Fax: 1-613-967-8128

U.S.A.
Telephone: 1-800-638-6788
Fax: 1-800-866-1438

INTERNATIONAL
Telephone: 1-613-962-3411
Fax: 1-613-967-8128

DS-E-IDL-00-112 A



'Dimensions in Millimeters'

Belt Width	Assembly Part Number	5195-10°-V Return Idler - Steel Roll Dimensions 127 mm dia. Rolls				Assembly Weight
		A	G	K	R	
610 mm	505-24-G3-0200	838	333	171	379	28 kg.
762 mm	505-30-G3-0200	991	439	191	398	31 kg.
914 mm	505-36-G3-0200	1143	491	200	408	36 kg.
1067 mm	505-42-G3-0200	1295	591	216	424	40 kg.
1219 mm	505-48-G3-0200	1448	667	229	446	45 kg.
1372 mm	505-54-G3-0200	1600	743	244	462	49 kg.
1524 mm	505-60-G3-0200	1753	819	257	485	55 kg.
1829 mm	505-72-G3-0200	2057	972	286	515	72 kg.

Belt Width	Assembly Part Number	5196-10°-V Return Idler - Steel Roll Dimensions 152 mm dia. Rolls				Assembly Weight
		A	G	K	R	
610 mm	506-24-G3-0200	838	333	159	379	33 kg.
762 mm	506-30-G3-0200	991	439	178	398	38 kg.
914 mm	506-36-G3-0200	1143	491	187	408	43 kg.
1067 mm	506-42-G3-0200	1295	591	203	424	45 kg.
1219 mm	506-48-G3-0200	1448	667	216	446	51 kg.
1372 mm	506-54-G3-0200	1600	743	232	462	56 kg.
1524 mm	506-60-G3-0200	1753	819	244	485	62 kg.
1829 mm	506-72-G3-0200	2057	972	298	515	81 kg.



STEPHENS-ADAMSON CONVEYOR COMPONENTS
www.Stephens-Adams.com

CANADA
Telephone: 1-800-510-3802
Fax: 1-613-967-8128

U.S.A.
Telephone: 1-800-638-6788
Fax: 1-800-866-1438

INTERNATIONAL
Telephone: 1-613-962-3411
Fax: 1-613-967-8128

DS-E-IDL-00-112 A