

'Dimensions in Inches'

Belt Width	Assembly Part Number	6326-20°-Troughing Idler Dimensions 6" dia. Rolls					Assembly Weight
		A	E	G	H	K	
36"	606-36-A0-0200	45	15-1/2	13-3/16	40-11/16	10-3/4	110 lbs.
42"	606-42-A0-0200	51	16-3/16	15-1/4	46-5/8	10-3/4	121 lbs.
48"	606-48-A0-0200	57	16-15/16	17-3/8	52-13/16	10-3/4	132 lbs.
54"	606-54-A0-0200	63	17-5/8	19-7/16	58-11/16	11	156 lbs.
60"	606-60-A0-0200	69	18-5/16	21-1/2	64-9/16	11	168 lbs.
72"	606-72-A0-0200	81	20-1/2	25-11/16	76-11/16	11-1/2	194 lbs.
84"	606-84-A0-0200	93	21-15/16	29-7/8	88-3/4	11-1/2	219 lbs.
96"	606-96-A0-0200	105	23-3/8	34	100-9/16	11-1/2	243 lbs.

Belt Width	Assembly Part Number	6327-20°-Troughing Idler Dimensions 7" dia. Rolls					Assembly Weight
		A	E	G	H	K	
36"	607-36-A0-0200	45	15-15/16	13-3/16	40-5/16	11-1/4	141 lbs.
42"	607-42-A0-0200	51	16-11/16	15-1/4	46-1/4	11-1/4	157 lbs.
48"	607-48-A0-0200	57	17-3/8	17-3/8	52-1/2	11-1/4	172 lbs.
54"	607-54-A0-0200	63	18-1/8	19-7/16	58-5/16	11-1/2	201 lbs.
60"	607-60-A0-0200	69	18-13/16	21-1/2	64-1/4	11-1/2	217 lbs.
72"	607-72-A0-0200	81	21	25-11/16	76-5/16	12	252 lbs.
84"	607-84-A0-0200	93	22-3/8	29-7/8	88-3/8	12	287 lbs.
96"	607-96-A0-0200	105	23-13/16	34	100-1/4	12	319 lbs.

Belt Width	Assembly Part Number	6326-35°-Troughing Idler Dimensions 6" dia. Rolls					Assembly Weight
		A	E	G	H	K	
36"	606-36-B0-0200	45	18-9/16	13-3/16	36-1/4	10-3/4	116 lbs.
42"	606-42-B0-0200	51	19-3/4	15-1/4	41-11/16	10-3/4	127 lbs.
48"	606-48-B0-0200	57	20-15/16	17-3/8	47-3/8	10-3/4	139 lbs.
54"	606-54-B0-0200	63	22-1/8	19-7/16	52-3/4	11	163 lbs.
60"	606-60-B0-0200	69	23-5/16	21-1/2	58-1/8	11	176 lbs.
72"	606-72-B0-0200	81	26-7/16	25-11/16	69-1/4	11-1/2	202 lbs.
84"	606-84-B0-0200	93	28-7/8	29-7/8	80-1/4	11-1/2	228 lbs.
96"	606-96-B0-0200	105	31-1/4	34	91-1/8	11-1/2	253 lbs.

Belt Width	Assembly Part Number	6327-35°-Troughing Idler Dimensions 7" dia. Rolls					Assembly Weight
		A	E	G	H	K	
36"	607-36-B0-0200	45	18-15/16	13-3/16	35-11/16	11-1/4	147 lbs.
42"	607-42-B0-0200	51	20-1/8	15-1/4	41-1/8	11-1/4	163 lbs.
48"	607-48-B0-0200	57	21-3/8	17-3/8	46-7/8	11-1/4	179 lbs.
54"	607-54-B0-0200	63	22-1/2	19-7/16	52-1/8	11-1/2	208 lbs.
60"	607-60-B0-0200	69	23-11/16	21-1/2	57-5/8	11-1/2	225 lbs.
72"	607-72-B0-0200	81	26-7/8	25-11/16	68-11/16	12	260 lbs.
84"	607-84-B0-0200	93	29-1/4	29-7/8	79-11/16	12	296 lbs.
96"	607-96-B0-0200	105	31-5/8	34	90-9/16	12	329 lbs.

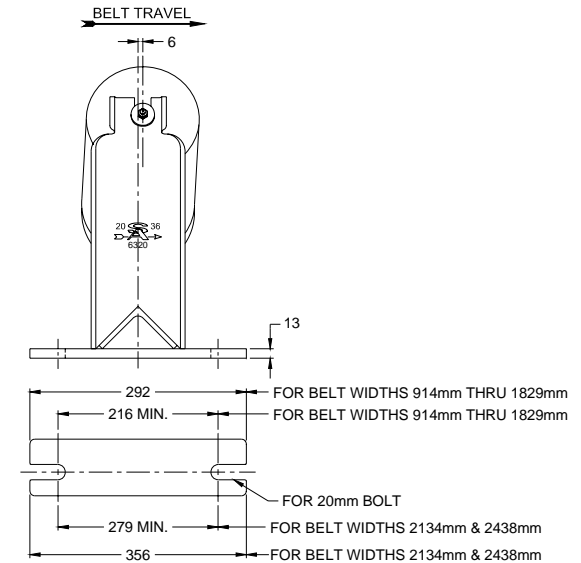
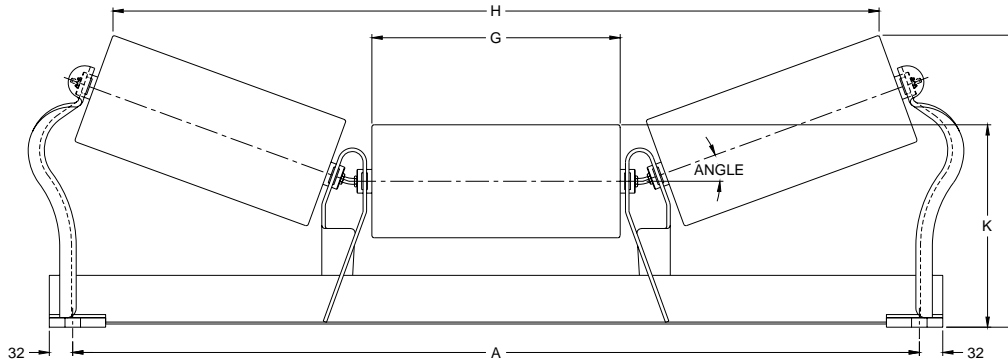


STEPHENS-ADAMSON CONVEYOR COMPONENTS
www.Stephens-Adamson.com

CANADA
Telephone: 1-800-510-3802
Fax: 1-613-967-8128

U.S.A.
Telephone: 1-800-638-6788
Fax: 1-800-866-1438

INTERNATIONAL
Telephone: 1-613-962-3411
Fax: 1-613-967-8128



'Dimensions in Millimeters'

Belt Width	Assembly Part Number	6326-20°-Troughing Idler Dimensions 152 mm dia. Rolls					Assembly Weight
		A	E	G	H	K	
914 mm	606-36-A0-0200	1143	394	335	1033	273	50 kg.
1067 mm	606-42-A0-0200	1295	411	387	1184	273	55 kg.
1219 mm	606-48-A0-0200	1448	430	441	1341	273	60 kg.
1372 mm	606-54-A0-0200	1600	448	494	1491	279	71 kg.
1524 mm	606-60-A0-0200	1753	465	546	1640	279	76 kg.
1829 mm	606-72-A0-0200	2057	521	652	1948	292	88 kg.
2134 mm	606-84-A0-0200	2362	557	759	2254	292	99 kg.
2438 mm	606-96-A0-0200	2667	594	864	2554	292	110 kg.

Belt Width	Assembly Part Number	6327-20°-Troughing Idler Dimensions 178 mm dia. Rolls					Assembly Weight
		A	E	G	H	K	
914 mm	607-36-A0-0200	1143	405	335	1024	286	64 kg.
1067 mm	607-42-A0-0200	1295	424	387	1175	286	71 kg.
1219 mm	607-48-A0-0200	1448	441	441	1334	286	78 kg.
1372 mm	607-54-A0-0200	1600	460	494	1481	292	91 kg.
1524 mm	607-60-A0-0200	1753	478	546	1632	292	98 kg.
1829 mm	607-72-A0-0200	2057	533	652	1938	305	114 kg.
2134 mm	607-84-A0-0200	2362	568	759	2245	305	130 kg.
2438 mm	607-96-A0-0200	2667	605	864	2546	305	145 kg.

Belt Width	Assembly Part Number	6326-35°-Troughing Idler Dimensions 152 mm dia. Rolls					Assembly Weight
		A	E	G	H	K	
914 mm	606-36-B0-0200	1143	471	335	921	273	53 kg.
1067 mm	606-42-B0-0200	1295	502	387	1059	273	58 kg.
1219 mm	606-48-B0-0200	1448	532	441	1203	273	63 kg.
1372 mm	606-54-B0-0200	1600	562	494	1340	279	74 kg.
1524 mm	606-60-B0-0200	1753	592	546	1476	279	80 kg.
1829 mm	606-72-B0-0200	2057	672	652	1759	292	92 kg.
2134 mm	606-84-B0-0200	2362	733	759	2038	292	103 kg.
2438 mm	606-96-B0-0200	2667	794	864	2315	292	115 kg.

Belt Width	Assembly Part Number	6327-35°-Troughing Idler Dimensions 178 mm dia. Rolls					Assembly Weight
		A	E	G	H	K	
914 mm	607-36-B0-0200	1143	481	335	906	286	67 kg.
1067 mm	607-42-B0-0200	1295	511	387	1045	286	74 kg.
1219 mm	607-48-B0-0200	1448	543	441	1191	286	81 kg.
1372 mm	607-54-B0-0200	1600	572	494	1324	292	94 kg.
1524 mm	607-60-B0-0200	1753	602	546	1464	292	102 kg.
1829 mm	607-72-B0-0200	2057	683	652	1745	305	118 kg.
2134 mm	607-84-B0-0200	2362	743	759	2024	305	134 kg.
2438 mm	607-96-B0-0200	2667	803	864	2300	305	149 kg.



STEPHENS-ADAMSON CONVEYOR COMPONENTS
www.Stephens-Adamson.com

CANADA
Telephone: 1-800-510-3802
Fax: 1-613-967-8128

U.S.A.
Telephone: 1-800-638-6788
Fax: 1-800-866-1438

INTERNATIONAL
Telephone: 1-613-962-3411
Fax: 1-613-967-8128