

*'Dimensions in Inches'*

Belt Width	Assembly Part Number	R711-6327-20°-Impact Troughing Idler Dimensions 7-1/2" dia. Rolls					Assembly Weight
		A	E	G	H	K	
36"	607-36-AM-0200	45	16-1/16	13-3/16	39-3/16	11-1/2	148 lbs.
42"	607-42-AM-0200	51	16-3/4	15-1/4	45-1/8	11-1/2	166 lbs.
48"	607-48-AM-0200	57	17-7/16	17-3/8	51-3/8	11-1/2	185 lbs.
54"	607-54-AM-0200	63	18-3/16	19-7/16	57-3/16	11-3/4	216 lbs.
60"	607-60-AM-0200	69	18-7/8	21-1/2	63-1/8	11-3/4	236 lbs.
72"	607-72-AM-0200	81	21-1/16	25-11/16	75-3/16	12-1/4	278 lbs.
84"	607-84-AM-0200	93	22-1/2	29-7/8	87-1/4	12-1/4	320 lbs.
96"	607-96-AM-0200	105	23-7/8	34	99-1/8	12-1/4	359 lbs.

Belt Width	Assembly Part Number	R711-6327-35°-Impact Troughing Idler Dimensions 7-1/2" dia. Rolls					Assembly Weight
		A	E	G	H	K	
36"	607-36-BM-0200	45	18-7/8	13-3/16	34-9/16	11-1/2	154 lbs.
42"	607-42-BM-0200	51	20-1/16	15-1/4	40	11-1/2	173 lbs.
48"	607-48-BM-0200	57	21-5/16	17-3/8	45-11/16	11-1/2	192 lbs.
54"	607-54-BM-0200	63	22-7/16	19-7/16	51-1/16	11-3/4	224 lbs.
60"	607-60-BM-0200	69	23-5/8	21-1/2	56-1/2	11-3/4	243 lbs.
72"	607-72-BM-0200	81	26-13/16	25-11/16	67-9/16	12-1/4	287 lbs.
84"	607-84-BM-0200	93	29-3/16	29-7/8	78-9/16	12-1/4	329 lbs.
96"	607-96-BM-0200	105	31-9/16	34	89-7/16	12-1/4	369 lbs.

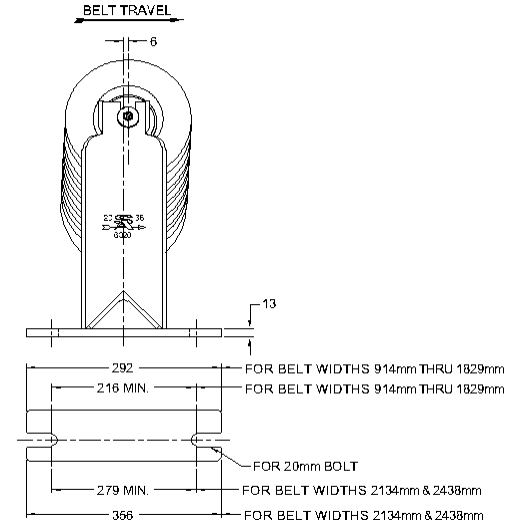
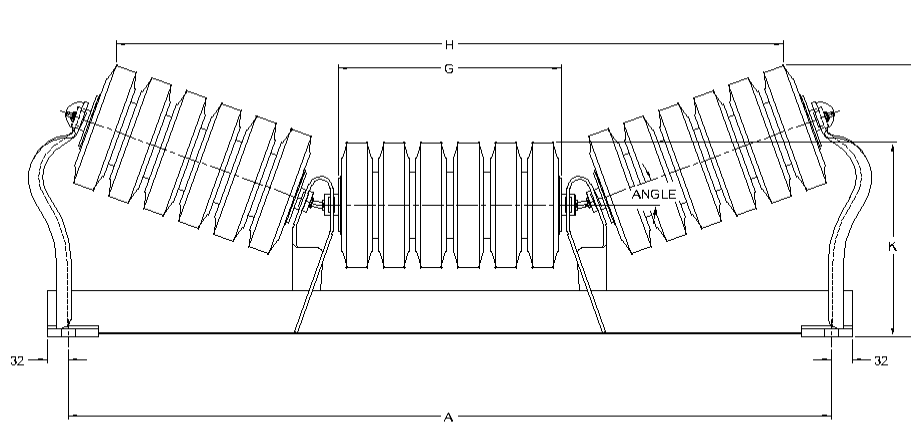


**STEPHENS-ADAMSON CONVEYOR COMPONENTS**  
www.Stephens-Adamson.com

CANADA  
Telephone: 1-800-510-3802  
Fax: 1-613-967-8128

U.S.A.  
Telephone: 1-800-638-6788  
Fax: 1-800-866-1438

INTERNATIONAL  
Telephone: 1-613-962-3411  
Fax: 1-613-967-8128



*'Dimensions in Millimeters'*

Belt Width	Assembly Part Number	R711-6327-20°-Impact Troughing Idler Dimensions 191 mm dia. Rolls					Assembly Weight
		A	E	G	H	K	
914 mm	607-36-AM-0200	1143	408	335	995	292	67 kg.
1067 mm	607-42-AM-0200	1295	425	387	1146	292	75 kg.
1219 mm	607-48-AM-0200	1448	443	441	1305	292	84 kg.
1372 mm	607-54-AM-0200	1600	462	494	1453	298	98 kg.
1524 mm	607-60-AM-0200	1753	479	546	1603	298	107 kg.
1829 mm	607-72-AM-0200	2057	535	652	1910	311	126 kg.
2134 mm	607-84-AM-0200	2362	572	759	2216	311	145 kg.
2438 mm	607-96-AM-0200	2667	606	864	2518	311	163 kg.

Belt Width	Assembly Part Number	R711-6327-35°-Impact Troughing Idler Dimensions 191 mm dia. Rolls					Assembly Weight
		A	E	G	H	K	
914 mm	607-36-BM-0200	1143	479	335	878	292	70 kg.
1067 mm	607-42-BM-0200	1295	510	387	1016	292	78 kg.
1219 mm	607-48-BM-0200	1448	541	441	1160	292	87 kg.
1372 mm	607-54-BM-0200	1600	570	494	1297	298	102 kg.
1524 mm	607-60-BM-0200	1753	600	546	1435	298	110 kg.
1829 mm	607-72-BM-0200	2057	681	652	1716	311	130 kg.
2134 mm	607-84-BM-0200	2362	741	759	1995	311	149 kg.
2438 mm	607-96-BM-0200	2667	802	864	2272	311	167 kg.



**STEPHENS-ADAMSON CONVEYOR COMPONENTS**  
www.Stephens-Adamson.com

CANADA  
Telephone: 1-800-510-3802  
Fax: 1-613-967-8128

U.S.A.  
Telephone: 1-800-638-6788  
Fax: 1-800-866-1438

INTERNATIONAL  
Telephone: 1-613-962-3411  
Fax: 1-613-967-8128