

'Dimensions in Inches'

Belt Width	Assembly Part Number	6326-20° ST-PA- Troughing Idler Dimensions 6" dia. Rolls					Assembly Weight
		A	G	K	L	M	
36"	606-36-AT-0200	45	13-3/16	11-3/4	38-11/16	17-7/8	234 lbs.
42"	606-42-AT-0200	51	15-1/4	11-3/4	44-5/8	18-5/8	265 lbs.
48"	606-48-AT-0200	57	17-3/8	11-3/4	50-7/8	19-3/8	286 lbs.
54"	606-54-AT-0200	63	19-7/16	11-3/4	56-11/16	20-1/16	323 lbs.
60"	606-60-AT-0200	69	21-1/2	11-3/4	62-5/8	20-3/4	361 lbs.
72"	606-72-AT-0200	81	25-11/16	12	74-11/16	22-7/16	448 lbs.
84"	606-84-AT-0200	93	29-7/8	12	86-3/4	23-7/8	494 lbs.
96"	606-96-AT-0200	105	34	12	98-9/16	25-1/4	541 lbs.

Belt Width	Assembly Part Number	6327-20° ST-PA- Troughing Idler Dimensions 7" dia. Rolls					Assembly Weight
		A	G	K	L	M	
36"	607-36-AT-0200	45	13-3/16	12-1/4	38-11/16	17-7/8	262 lbs.
42"	607-42-AT-0200	51	15-1/4	12-1/4	44-5/8	18-5/8	297 lbs.
48"	607-48-AT-0200	57	17-3/8	12-1/4	50-7/8	19-3/8	322 lbs.
54"	607-54-AT-0200	63	19-7/16	12-1/4	56-11/16	20-1/16	363 lbs.
60"	607-60-AT-0200	69	21-1/2	12-1/4	62-5/8	20-3/4	406 lbs.
72"	607-72-AT-0200	81	25-11/16	12-1/2	74-11/16	22-7/16	500 lbs.
84"	607-84-AT-0200	93	29-7/8	12-1/2	86-3/4	23-7/8	554 lbs.
96"	607-96-AT-0200	105	34	12-1/2	98-9/16	25-1/4	609 lbs.

Belt Width	Assembly Part Number	6326-35° ST-PA- Troughing Idler Dimensions 6" dia. Rolls					Assembly Weight
		A	G	K	L	M	
36"	606-36-BT-0200	45	13-3/16	11-3/4	33-5/8	20-5/8	240 lbs.
42"	606-42-BT-0200	51	15-1/4	11-3/4	39-1/16	21-13/16	271 lbs.
48"	606-48-BT-0200	57	17-3/8	11-3/4	44-3/4	23-1/16	291 lbs.
54"	606-54-BT-0200	63	19-7/16	11-3/4	50-1/16	24-3/16	330 lbs.
60"	606-60-BT-0200	69	21-1/2	11-3/4	55-1/2	25-3/8	368 lbs.
72"	606-72-BT-0200	81	25-11/16	12	66-5/8	28-1/16	466 lbs.
84"	606-84-BT-0200	93	29-7/8	12	77-5/8	30-7/16	513 lbs.
96"	606-96-BT-0200	105	34	12	88-1/2	32-13/16	559 lbs.

Belt Width	Assembly Part Number	6327-35° ST-PA- Troughing Idler Dimensions 7" dia. Rolls					Assembly Weight
		A	G	K	L	M	
36"	607-36-BT-0200	45	13-3/16	12-1/4	33-5/8	20-5/8	268 lbs.
42"	607-42-BT-0200	51	15-1/4	12-1/4	39-1/16	21-13/16	303 lbs.
48"	607-48-BT-0200	57	17-3/8	12-1/4	44-3/4	23-1/16	328 lbs.
54"	607-54-BT-0200	63	19-7/16	12-1/4	50-1/16	24-3/16	370 lbs.
60"	607-60-BT-0200	69	21-1/2	12-1/4	55-1/2	25-3/8	413 lbs.
72"	607-72-BT-0200	81	25-11/16	12-1/2	66-5/8	28-1/16	518 lbs.
84"	607-84-BT-0200	93	29-7/8	12-1/2	77-5/8	30-7/16	573 lbs.
96"	607-96-BT-0200	105	34	12-1/2	88-1/2	32-13/16	627 lbs.

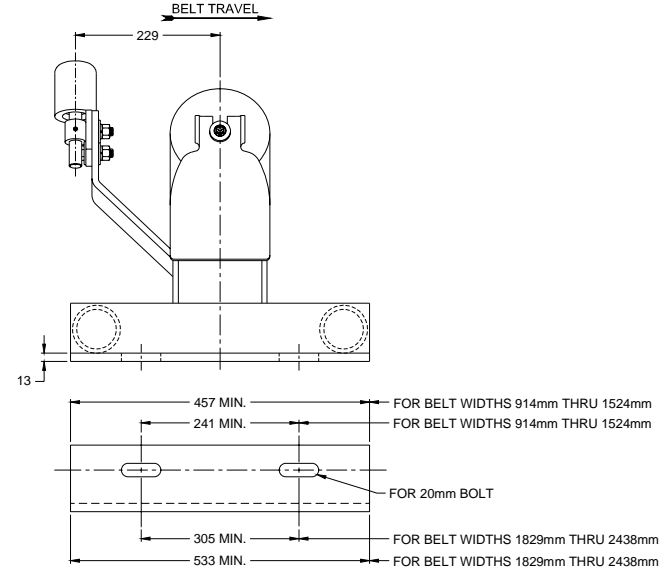
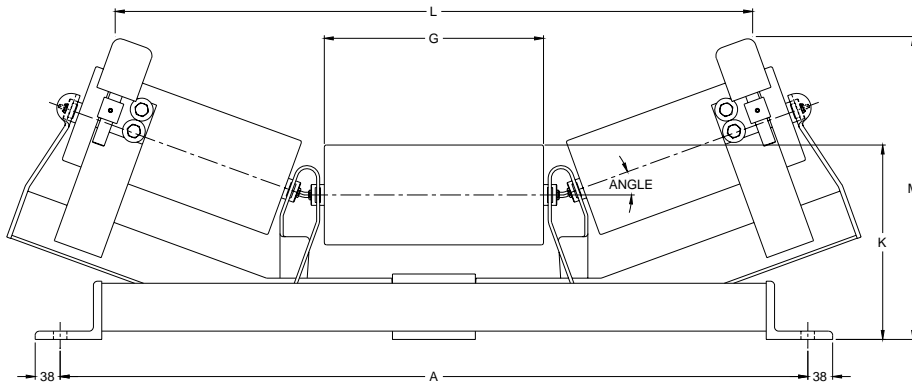


STEPHENS-ADAMSON CONVEYOR COMPONENTS
www.Stephens-Adamson.com

CANADA
Telephone: 1-800-510-3802
Fax: 1-613-967-8128

U.S.A.
Telephone: 1-800-638-6788
Fax: 1-800-866-1438

INTERNATIONAL
Telephone: 1-613-962-3411
Fax: 1-613-967-8128



'Dimensions in Millimeters'

Belt Width	Assembly Part Number	6326-20° ST-PA- Troughing Idler Dimensions 152 mm dia. Rolls					Assembly Weight
		A	G	K	L	M	
914 mm	606-36-AT-0200	1143	335	298	983	454	106 kg.
1067 mm	606-42-AT-0200	1295	387	298	1133	473	120 kg.
1219 mm	606-48-AT-0200	1448	441	298	1292	492	130 kg.
1372 mm	606-54-AT-0200	1600	494	298	1440	510	147 kg.
1524 mm	606-60-AT-0200	1753	546	298	1591	527	164 kg.
1829 mm	606-72-AT-0200	2057	652	305	1897	570	203 kg.
2134 mm	606-84-AT-0200	2362	759	305	2203	606	224 kg.
2438 mm	606-96-AT-0200	2667	864	305	2503	641	245 kg.

Belt Width	Assembly Part Number	6327-20° ST-PA- Troughing Idler Dimensions 178 mm dia. Rolls					Assembly Weight
		A	G	K	L	M	
914 mm	607-36-AT-0200	1143	335	311	983	454	119 kg.
1067 mm	607-42-AT-0200	1295	387	311	1133	473	135 kg.
1219 mm	607-48-AT-0200	1448	441	311	1292	492	146 kg.
1372 mm	607-54-AT-0200	1600	494	311	1440	510	165 kg.
1524 mm	607-60-AT-0200	1753	546	311	1591	527	184 kg.
1829 mm	607-72-AT-0200	2057	652	318	1897	570	227 kg.
2134 mm	607-84-AT-0200	2362	759	318	2203	606	251 kg.
2438 mm	607-96-AT-0200	2667	864	318	2503	641	276 kg.

Belt Width	Assembly Part Number	6326-35° ST-PA- Troughing Idler Dimensions 152 mm dia. Rolls					Assembly Weight
		A	G	K	L	M	
914 mm	606-36-BT-0200	1143	335	298	854	524	109 kg.
1067 mm	606-42-BT-0200	1295	387	298	992	554	123 kg.
1219 mm	606-48-BT-0200	1448	441	298	1137	586	132 kg.
1372 mm	606-54-BT-0200	1600	494	298	1272	614	150 kg.
1524 mm	606-60-BT-0200	1753	546	298	1410	645	167 kg.
1829 mm	606-72-BT-0200	2057	652	305	1692	713	211 kg.
2134 mm	606-84-BT-0200	2362	759	305	1972	773	233 kg.
2438 mm	606-96-BT-0200	2667	864	305	2248	833	254 kg.

Belt Width	Assembly Part Number	6327-35° ST-PA- Troughing Idler Dimensions 178 mm dia. Rolls					Assembly Weight
		A	G	K	L	M	
914 mm	607-36-BT-0200	1143	335	311	854	524	122 kg.
1067 mm	607-42-BT-0200	1295	387	311	992	554	137 kg.
1219 mm	607-48-BT-0200	1448	441	311	1137	586	149 kg.
1372 mm	607-54-BT-0200	1600	494	311	1272	614	168 kg.
1524 mm	607-60-BT-0200	1753	546	311	1410	645	187 kg.
1829 mm	607-72-BT-0200	2057	652	318	1692	713	235 kg.
2134 mm	607-84-BT-0200	2362	759	318	1972	773	260 kg.
2438 mm	607-96-BT-0200	2667	864	318	2248	833	284 kg.



STEPHENS-ADAMSON CONVEYOR COMPONENTS

www.Stephens-Adamson.com

CANADA
Telephone: 1-800-510-3802
Fax: 1-613-967-8128

U.S.A.
Telephone: 1-800-638-6788
Fax: 1-800-866-1438

INTERNATIONAL
Telephone: 1-613-962-3411
Fax: 1-613-967-8128

DS-E-IDL-00-118