

*'Dimensions in Inches'*

Belt Width	Assembly Part Number	6326-20°-Picking Table Idler Dimensions 6" dia. Rolls					Assembly Weight
		A	E	G	H	K	
36"	606-36-A0-P200	45	13-1/2	24	40-5/8	10-3/4	107 lbs.
42"	606-42-A0-P200	51	13-1/2	30	46-5/8	10-3/4	117 lbs.
48"	606-48-A0-P200	57	13-1/2	36	52-5/8	10-3/4	126 lbs.
54"	606-54-A0-P200	63	13-1/2	42	58-5/8	11	136 lbs.
60"	606-60-A0-P200	69	13-1/2	48	64-5/8	11	146 lbs.
72"	606-72-A0-P200	81	14-1/4	60	76-5/8	11-1/2	182 lbs.
84"	606-84-A0-P200	93	14-1/4	72	88-5/8	11-1/2	205 lbs.
96"	606-96-A0-P200	105	14-1/4	84	100-5/8	11-1/2	227 lbs.

Belt Width	Assembly Part Number	6327-20°-Picking Table Idler Dimensions 7" dia. Rolls					Assembly Weight
		A	E	G	H	K	
36"	607-36-A0-P200	45	14	24	40-5/16	11-1/4	134 lbs.
42"	607-42-A0-P200	51	14	30	46-5/16	11-1/4	148 lbs.
48"	607-48-A0-P200	57	14	36	52-5/16	11-1/4	161 lbs.
54"	607-54-A0-P200	63	14	42	58-5/16	11-1/2	174 lbs.
60"	607-60-A0-P200	69	14	48	64-5/16	11-1/2	188 lbs.
72"	607-72-A0-P200	81	14-3/4	60	76-5/16	12	232 lbs.
84"	607-84-A0-P200	93	14-3/4	72	88-5/16	12	263 lbs.
96"	607-96-A0-P200	105	14-3/4	84	100-5/16	12	292 lbs.

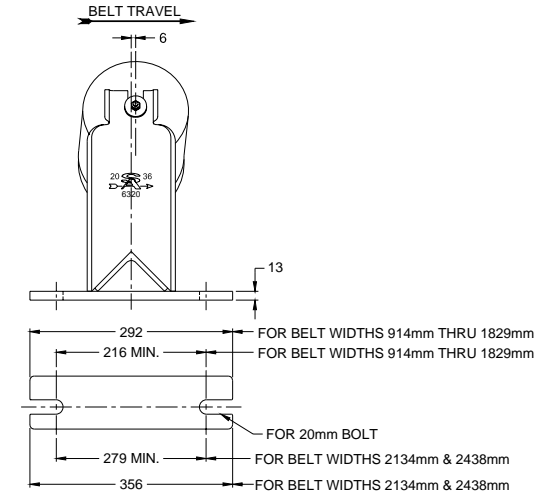
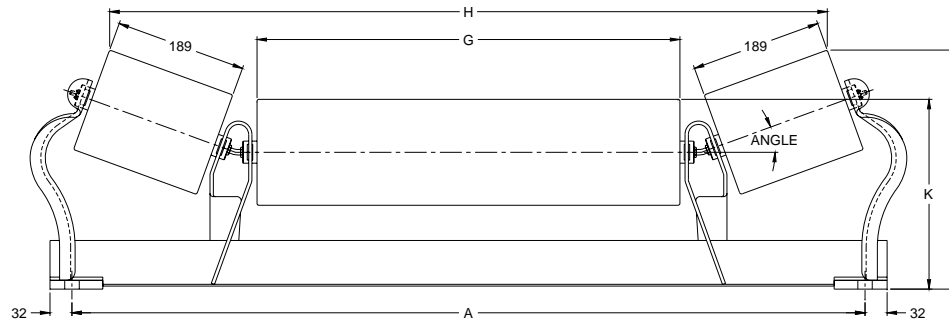


**STEPHENS-ADAMSON CONVEYOR COMPONENTS**  
www.Stephens-Adamson.com

CANADA  
Telephone: 1-800-510-3802  
Fax: 1-613-967-8128

U.S.A.  
Telephone: 1-800-638-6788  
Fax: 1-800-866-1438

INTERNATIONAL  
Telephone: 1-613-962-3411  
Fax: 1-613-967-8128



'Dimensions in Millimeters'

Belt Width	Assembly Part Number	6326-20°-Picking Table Idler Dimensions 152 mm dia. Rolls					Assembly Weight
		A	E	G	H	K	
914 mm	606-36-A0-P200	1143	343	610	1032	273	49 kg.
1067 mm	606-42-A0-P200	1295	343	762	1184	273	53 kg.
1219 mm	606-48-A0-P200	1448	343	914	1337	273	57 kg.
1372 mm	606-54-A0-P200	1600	343	1067	1489	279	62 kg.
1524 mm	606-60-A0-P200	1753	343	1219	1641	279	66 kg.
1829 mm	606-72-A0-P200	2057	362	1524	1946	292	83 kg.
2134 mm	606-84-A0-P200	2362	362	1829	2251	292	93 kg.
2438 mm	606-96-A0-P200	2667	362	2134	2556	292	103 kg.

Belt Width	Assembly Part Number	6327-20°-Picking Table Idler Dimensions 178 mm dia. Rolls					Assembly Weight
		A	E	G	H	K	
914 mm	607-36-A0-P200	1143	356	610	1024	286	61 kg.
1067 mm	607-42-A0-P200	1295	356	762	1176	286	67 kg.
1219 mm	607-48-A0-P200	1448	356	914	1329	286	73 kg.
1372 mm	607-54-A0-P200	1600	356	1067	1481	292	79 kg.
1524 mm	607-60-A0-P200	1753	356	1219	1634	292	85 kg.
1829 mm	607-72-A0-P200	2057	375	1524	1938	305	105 kg.
2134 mm	607-84-A0-P200	2362	375	1829	2243	305	119 kg.
2438 mm	607-96-A0-P200	2667	375	2134	2548	305	132 kg.



**STEPHENS-ADAMSON CONVEYOR COMPONENTS**  
www.Stephens-Adamson.com

CANADA  
Telephone: 1-800-510-3802  
Fax: 1-613-967-8128

U.S.A.  
Telephone: 1-800-638-6788  
Fax: 1-800-866-1438

INTERNATIONAL  
Telephone: 1-613-962-3411  
Fax: 1-613-967-8128