

'Dimensions in Inches'

Belt Width	Assembly Part Number	R711-6327-20°-Impact Picking Table Idler Dimensions 7-1/2" dia. Rolls					Assembly Weight
		A	E	G	H	K	
36"	607-36-AM-P200	45	14	24	40-5/16	11-1/2	143 lbs.
42"	607-42-AM-P200	51	14	30	46-5/16	11-1/2	160 lbs.
48"	607-48-AM-P200	57	14	36	52-5/16	11-1/2	175 lbs.
54"	607-54-AM-P200	63	14	42	58-5/16	11-3/4	192 lbs.
60"	607-60-AM-P200	69	14	48	64-5/16	11-3/4	207 lbs.
72"	607-72-AM-P200	81	14-3/4	60	76-5/16	12-1/4	261 lbs.
84"	607-84-AM-P200	93	14-3/4	72	88-5/16	12-1/4	298 lbs.
96"	607-96-AM-P200	105	14-3/4	84	100-5/16	12-1/4	333 lbs.

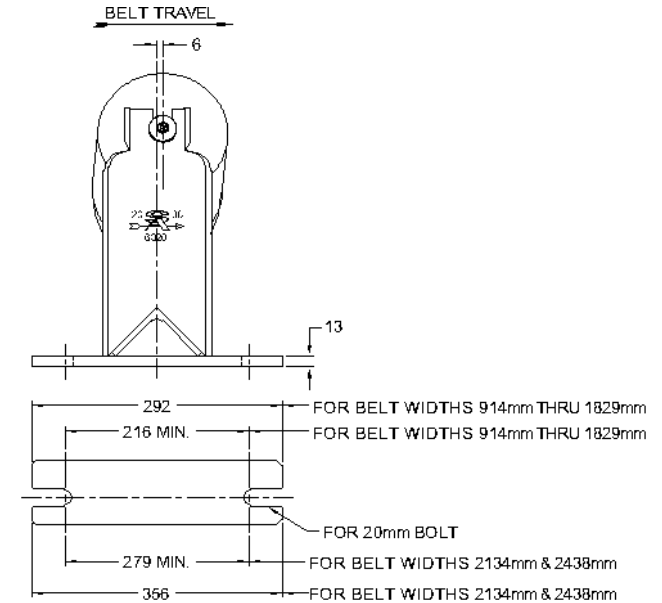
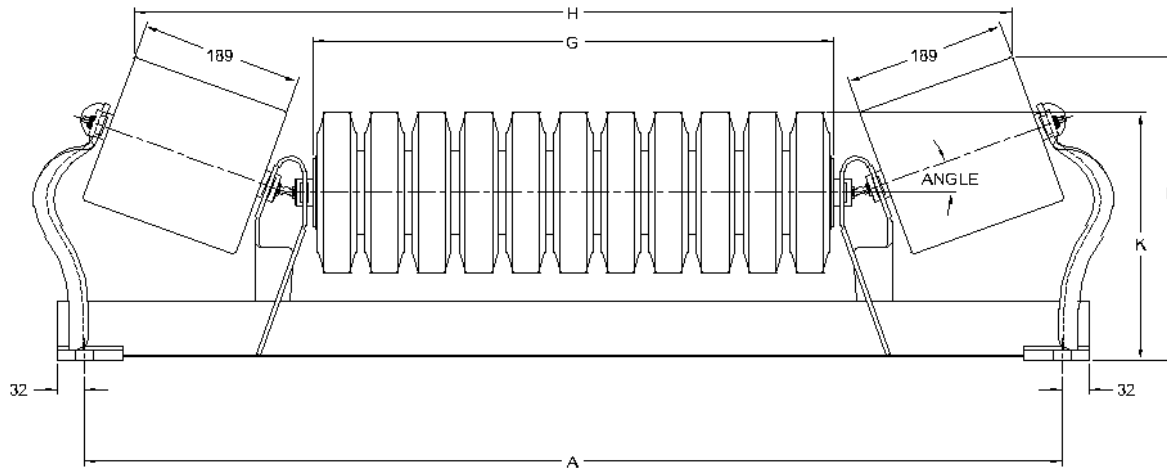


STEPHENS-ADAMSON CONVEYOR COMPONENTS
www.Stephens-Adamson.com

CANADA
Telephone: 1-800-510-3802
Fax: 1-613-967-8128

U.S.A.
Telephone: 1-800-638-6788
Fax: 1-800-866-1438

INTERNATIONAL
Telephone: 1-613-962-3411
Fax: 1-613-967-8128



'Dimensions in Millimeters'

Belt Width	Assembly Part Number	R711-6327-20°-Impact Picking Table Idler Dimensions 191 mm dia. Rolls					Assembly Weight
		A	E	G	H	K	
914 mm	607-36-AM-P200	1143	356	610	1024	292	65 kg.
1067 mm	607-42-AM-P200	1295	356	762	1176	292	73 kg.
1219 mm	607-48-AM-P200	1448	356	914	1329	292	79 kg.
1372 mm	607-54-AM-P200	1600	356	1067	1481	298	87 kg.
1524 mm	607-60-AM-P200	1753	356	1219	1634	298	94 kg.
1829 mm	607-72-AM-P200	2057	375	1524	1938	311	118 kg.
2134 mm	607-84-AM-P200	2362	375	1829	2243	311	135 kg.
2438 mm	607-96-AM-P200	2667	375	2134	2548	311	151 kg.



STEPHENS-ADAMSON CONVEYOR COMPONENTS
www.Stephens-Adams.com

CANADA
Telephone: 1-800-510-3802
Fax: 1-613-967-8128

U.S.A.
Telephone: 1-800-638-6788
Fax: 1-800-866-1438

INTERNATIONAL
Telephone: 1-613-962-3411
Fax: 1-613-967-8128