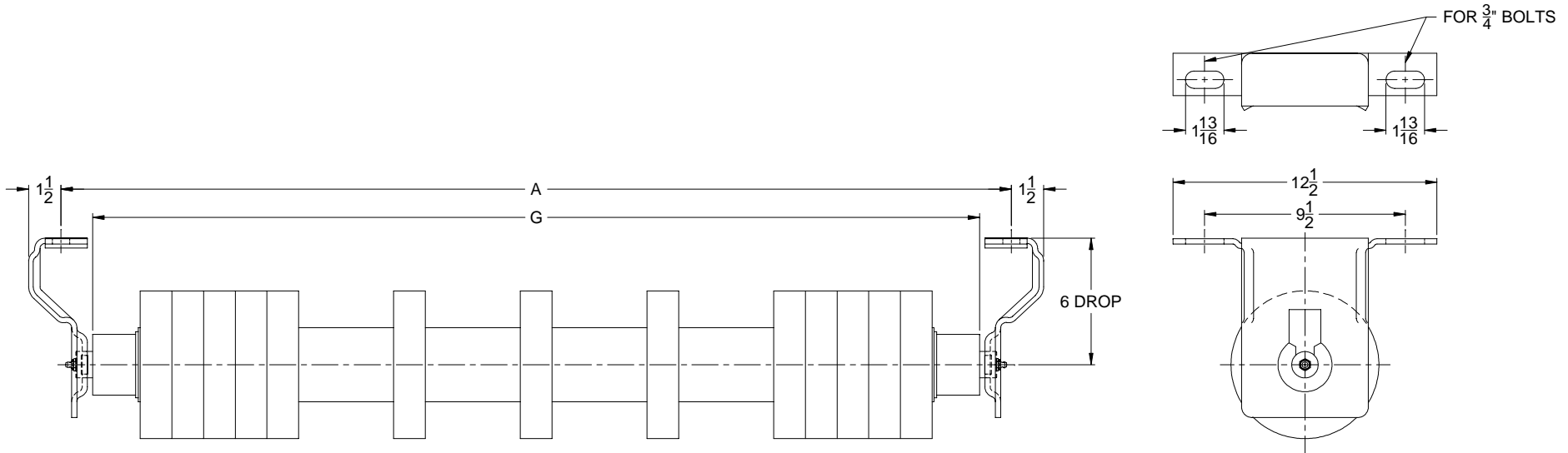




STEPHENS-ADAMSON CONVEYING

Note: Dimensions for REFERENCE ONLY and are SUBJECT TO CHANGE WITHOUT NOTICE.
Contact Stephens-Adamson Conveying for Certified Dimensions Prints.

CEMA "E" 6320 Series 6" Drop Rubber Disc Return Idlers - Regreasable



'Dimensions in Inches'

Belt Width	Roller Assembly Part Number	R710-6327- 6" Drop Return Idler Dimensions 7" dia. Rolls		Assembly Weight
		A	G	
36"	607-36-92-0200	45	42	81 lbs.
42"	607-42-92-0200	51	48	90 lbs.
48"	607-48-92-0200	57	54	98 lbs.
54"	607-54-92-0200	63	60	106 lbs.
60"	607-60-92-0200	69	66	115 lbs.
72"	607-72-92-0200	81	78	131 lbs.
84"	607-84-92-0200	93	90	148 lbs.
96"	607-96-92-0200	105	102	165 lbs.

6" Drop Bracket Part Number

AA-400-049-501

Note: BRACKETS ARE PRICED AND SOLD SEPARATELY, TWO BRACKETS ARE REQUIRED PER ROLLER.

STEPHENS-ADAMSON CONVEYING

www.Stephens-Adamson.com

CANADA
Telephone: 1-800-510-3802
Fax: 1-613-967-8128

U.S.A.
Telephone: 1-800-638-6788
Fax: 1-800-866-1438

INTERNATIONAL
Telephone: 1-613-962-3411
Fax: 1-613-967-8128

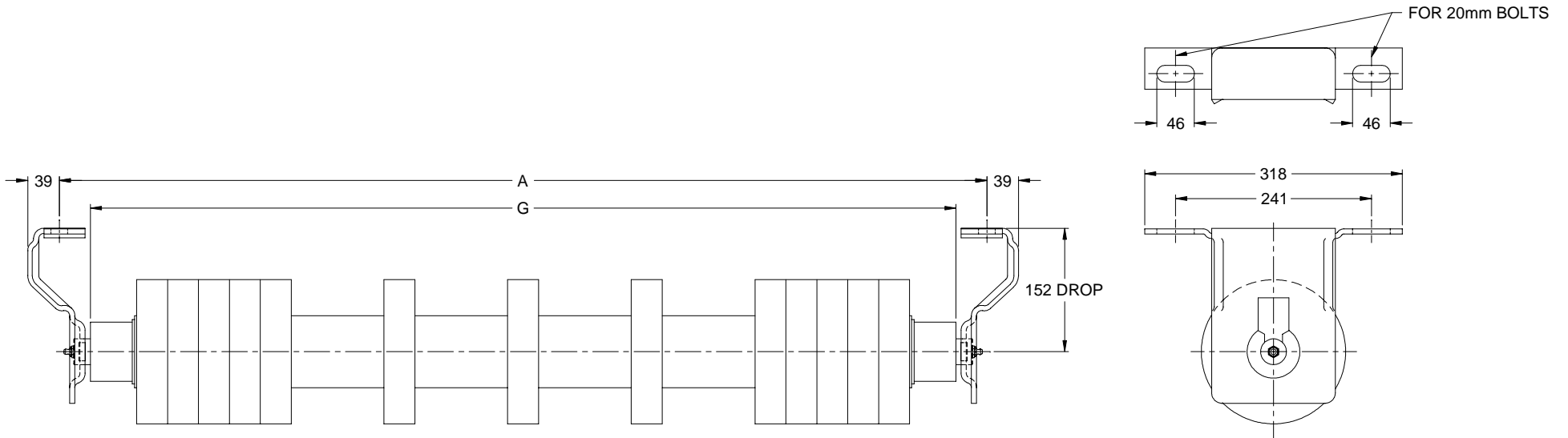
DS-E-IDL-00-124



STEPHENS-ADAMSON CONVEYING

Note: Dimensions for REFERENCE ONLY and are SUBJECT TO CHANGE WITHOUT NOTICE.
Contact Stephens-Adamson Conveying for Certified Dimensions Prints.

CEMA "E" 6320 Series 152 mm Drop Rubber Disc Return Idlers - Regreasable



'Dimensions in Millimeters'

Belt Width	Roller Assembly Part Number	R710-6327- 152 mm Drop Return Idler Dimensions 178 mm dia. Rolls		Assembly Weight
		A	G	
914 mm	607-36-92-0200	1143	1067	37 kg.
1067 mm	607-42-92-0200	1295	1219	41 kg.
1219 mm	607-48-92-0200	1448	1372	44 kg.
1372 mm	607-54-92-0200	1600	1524	48 kg.
1524 mm	607-60-92-0200	1753	1676	52 kg.
1829 mm	607-72-92-0200	2057	1981	59 kg.
2134 mm	607-84-92-0200	2362	2286	67 kg.
2438 mm	607-96-92-0200	2667	2591	75 kg.

152 mm Drop Bracket Part Number

AA-400-049-501

Note: BRACKETS ARE PRICED AND SOLD SEPARATELY, TWO BRACKETS ARE REQUIRED PER ROLLER.

STEPHENS-ADAMSON CONVEYING

www.Stephens-Adamson.com

CANADA
Telephone: 1-800-510-3802
Fax: 1-613-967-8128

U.S.A.
Telephone: 1-800-638-6788
Fax: 1-800-866-1438

INTERNATIONAL
Telephone: 1-613-962-3411
Fax: 1-613-967-8128

DS-E-IDL-00-124