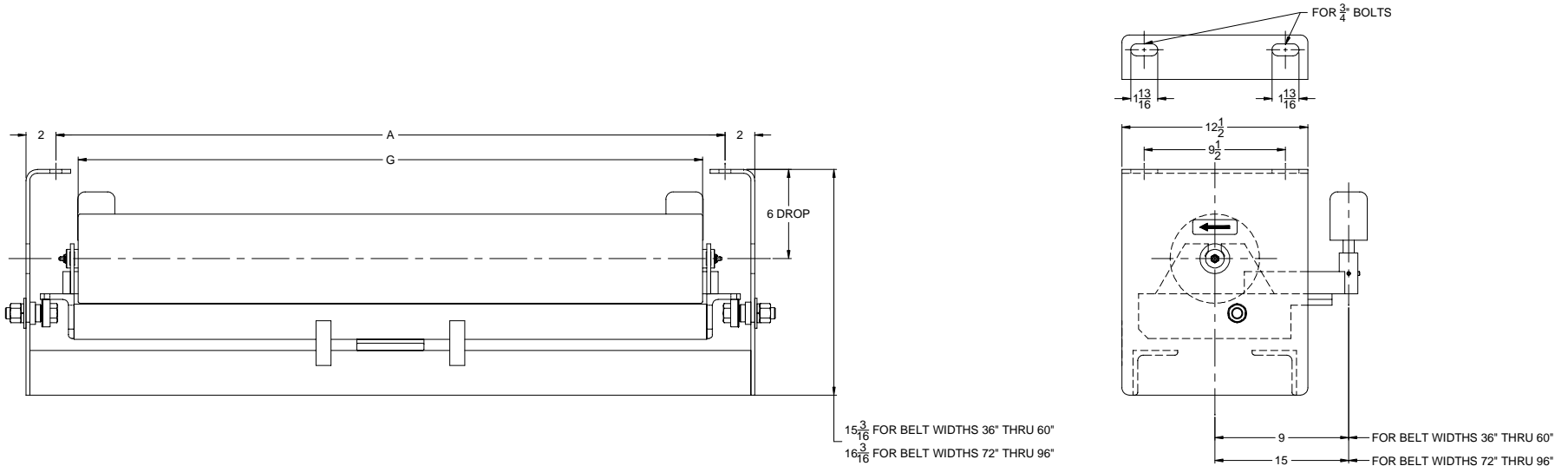




STEPHENS-ADAMSON CONVEYING

Note: Dimensions for REFERENCE ONLY and are SUBJECT TO CHANGE WITHOUT NOTICE.
Contact Stephens-Adamson Conveying for Certified Dimensions Prints.

CEMA "E" 6320 Series 6" Drop ST-PA Return Idlers - Regreasable



'Dimensions in Inches'

Belt Width	Roller Assembly Part Number	6326-6-ST-PA Return Idler Dimensions 6" dia. Rolls		Assembly Weight
		A	G	
36"	606-36-84-0200	45	42	218 lbs.
42"	606-42-84-0200	51	48	236 lbs.
48"	606-48-84-0200	57	54	255 lbs.
54"	606-54-84-0200	63	60	273 lbs.
60"	606-60-84-0200	69	66	291 lbs.
72"	606-72-84-0200	81	78	435 lbs.
84"	606-84-84-0200	93	90	487 lbs.
96"	606-96-84-0200	105	102	538 lbs.

Belt Width	Roller Assembly Part Number	6327-6-ST-PA Return Idler Dimensions 7" dia. Rolls		Assembly Weight
		A	G	
36"	607-36-84-0200	45	42	246 lbs.
42"	607-42-84-0200	51	48	268 lbs.
48"	607-48-84-0200	57	54	290 lbs.
54"	607-54-84-0200	63	60	312 lbs.
60"	607-60-84-0200	69	66	330 lbs.
72"	607-72-84-0200	81	78	486 lbs.
84"	607-84-84-0200	93	90	556 lbs.
96"	607-96-84-0200	105	102	604 lbs.

STEPHENS-ADAMSON CONVEYING

www.Stephens-Adamson.com

CANADA
Telephone: 1-800-510-3802
Fax: 1-613-967-8128

U.S.A.
Telephone: 1-800-638-6788
Fax: 1-800-866-1438

INTERNATIONAL
Telephone: 1-613-962-3411
Fax: 1-613-967-8128

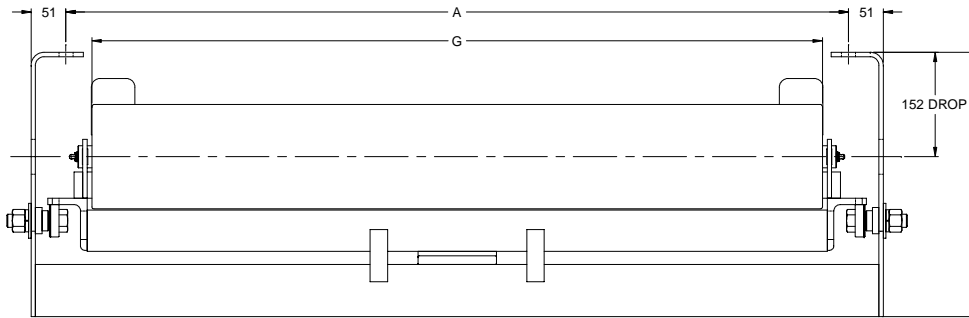
DS-E-IDL-00-126



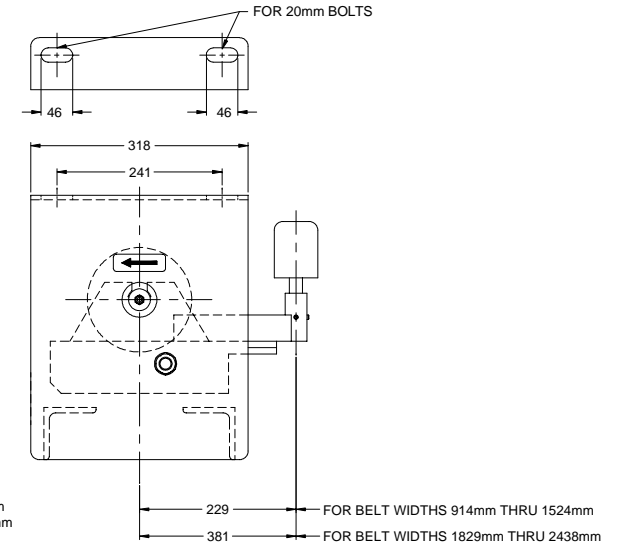
STEPHENS-ADAMSON CONVEYING

Note: Dimensions for REFERENCE ONLY and are SUBJECT TO CHANGE WITHOUT NOTICE.
Contact Stephens-Adamson Conveying for Certified Dimensions Prints.

CEMA "E" 6320 Series 152 mm Drop ST-PA Return Idlers - Regreasable



386 FOR BELT WIDTHS 914mm THRU 1524mm
411 FOR BELT WIDTHS 1829mm THRU 2438mm



'Dimensions in Millimeters'

Belt Width	Roller Assembly Part Number	6326-6-ST-PA Return Idler Dimensions 152 mm dia. Rolls		Assembly Weight
		A	G	
914 mm	606-36-84-0200	1143	1067	99 kg.
1067 mm	606-42-84-0200	1295	1219	107 kg.
1219 mm	606-48-84-0200	1448	1372	116 kg.
1372 mm	606-54-84-0200	1600	1524	124 kg.
1524 mm	606-60-84-0200	1753	1676	132 kg.
1829 mm	606-72-84-0200	2057	1981	197 kg.
2134 mm	606-84-84-0200	2362	2286	221 kg.
2438 mm	606-96-84-0200	2667	2591	244 kg.

Belt Width	Roller Assembly Part Number	6327-6-ST-PA Return Idler Dimensions 178 mm dia. Rolls		Assembly Weight
		A	G	
914 mm	607-36-84-0200	1143	1067	112 kg.
1067 mm	607-42-84-0200	1295	1219	122 kg.
1219 mm	607-48-84-0200	1448	1372	132 kg.
1372 mm	607-54-84-0200	1600	1524	142 kg.
1524 mm	607-60-84-0200	1753	1676	150 kg.
1829 mm	607-72-84-0200	2057	1981	220 kg.
2134 mm	607-84-84-0200	2362	2286	252 kg.
2438 mm	607-96-84-0200	2667	2591	274 kg.

STEPHENS-ADAMSON CONVEYING

www.Stephens-Adamson.com

CANADA
Telephone: 1-800-510-3802
Fax: 1-613-967-8128

U.S.A.
Telephone: 1-800-638-6788
Fax: 1-800-866-1438

INTERNATIONAL
Telephone: 1-613-962-3411
Fax: 1-613-967-8128

DS-E-IDL-00-126