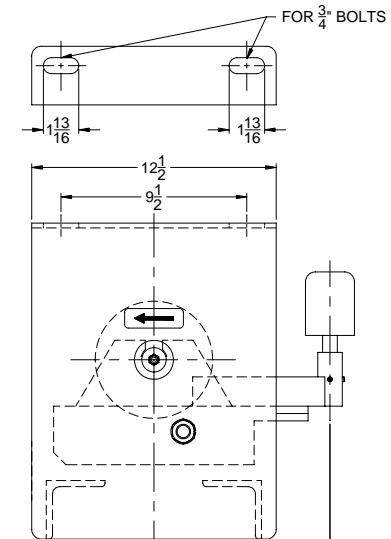


$16\frac{3}{16}$  FOR BELT WIDTHS 36" THRU 60"  
 $17\frac{3}{16}$  FOR BELT WIDTHS 72" THRU 96"



FOR  $\frac{3}{4}$ " BOLTS  
FOR BELT WIDTHS 36" THRU 60"  
FOR BELT WIDTHS 72" THRU 96"

*'Dimensions in Inches'*

Belt Width	Assembly Part Number	6326-7-ST-PA Return Idler Dimensions 6" dia. Rolls		Assembly Weight
		A	G	
36"	606-36-04-0200	45	42	218 lbs.
42"	606-42-04-0200	51	48	236 lbs.
48"	606-48-04-0200	57	54	255 lbs.
54"	606-54-04-0200	63	60	273 lbs.
60"	606-60-04-0200	69	66	291 lbs.
72"	606-72-04-0200	81	78	435 lbs.
84"	606-84-04-0200	93	90	487 lbs.
96"	606-96-04-0200	105	102	538 lbs.

Belt Width	Assembly Part Number	6327-7-ST-PA Return Idler Dimensions 7" dia. Rolls		Assembly Weight
		A	G	
36"	607-36-04-0200	45	42	246 lbs.
42"	607-42-04-0200	51	48	268 lbs.
48"	607-48-04-0200	57	54	290 lbs.
54"	607-54-04-0200	63	60	312 lbs.
60"	607-60-04-0200	69	66	330 lbs.
72"	607-72-04-0200	81	78	486 lbs.
84"	607-84-04-0200	93	90	556 lbs.
96"	607-96-04-0200	105	102	604 lbs.

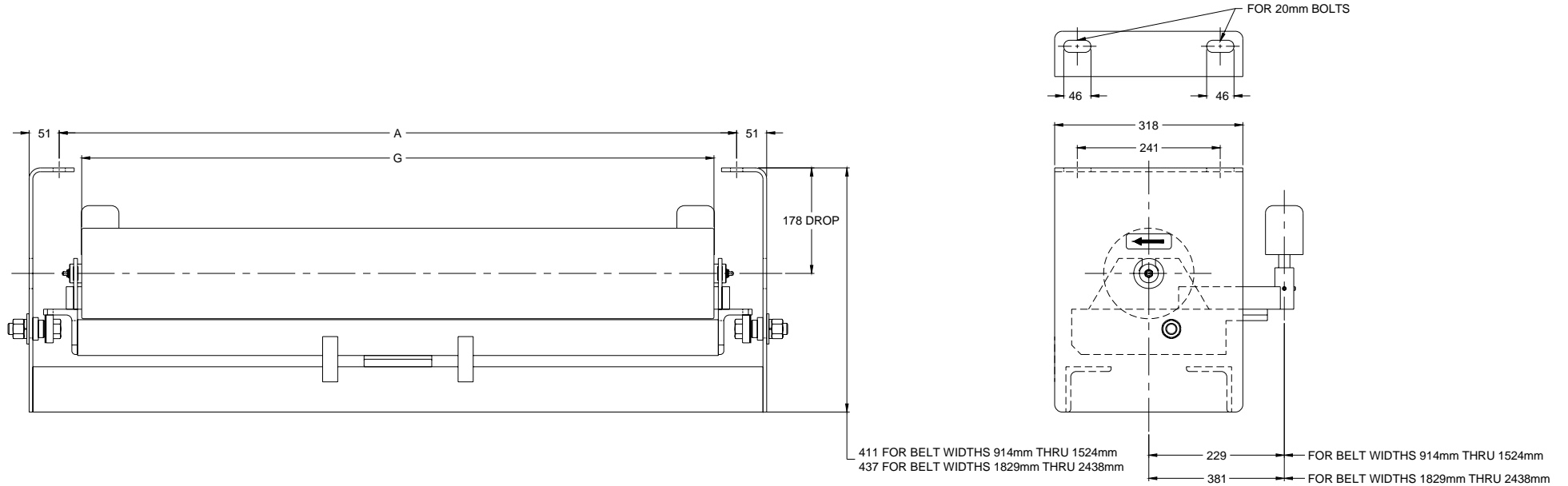


**STEPHENS-ADAMSON CONVEYOR COMPONENTS**  
www.Stephens-Adams.com

CANADA  
Telephone: 1-800-510-3802  
Fax: 1-613-967-8128

U.S.A.  
Telephone: 1-800-638-6788  
Fax: 1-800-866-1438

INTERNATIONAL  
Telephone: 1-613-962-3411  
Fax: 1-613-967-8128



'Dimensions in Millimeters'

Belt Width	Assembly Part Number	6326-7-ST-PA Return Idler Dimensions 152 mm dia. Rolls		Assembly Weight
		A	G	
914 mm	606-36-04-0200	1143	1067	99 kg.
1067 mm	606-42-04-0200	1295	1219	107 kg.
1219 mm	606-48-04-0200	1448	1372	116 kg.
1372 mm	606-54-04-0200	1600	1524	124 kg.
1524 mm	606-60-04-0200	1753	1676	132 kg.
1829 mm	606-72-04-0200	2057	1981	197 kg.
2134 mm	606-84-04-0200	2362	2286	221 kg.
2438 mm	606-96-04-0200	2667	2591	244 kg.

Belt Width	Assembly Part Number	6327-7-ST-PA Return Idler Dimensions 178 mm dia. Rolls		Assembly Weight
		A	G	
914 mm	607-36-04-0200	1143	1067	112 kg.
1067 mm	607-42-04-0200	1295	1219	122 kg.
1219 mm	607-48-04-0200	1448	1372	132 kg.
1372 mm	607-54-04-0200	1600	1524	142 kg.
1524 mm	607-60-04-0200	1753	1676	150 kg.
1829 mm	607-72-04-0200	2057	1981	220 kg.
2134 mm	607-84-04-0200	2362	2286	252 kg.
2438 mm	607-96-04-0200	2667	2591	274 kg.



**STEPHENS-ADAMSON CONVEYOR COMPONENTS**  
www.Stephens-Adamson.com

CANADA  
Telephone: 1-800-510-3802  
Fax: 1-613-967-8128

U.S.A.  
Telephone: 1-800-638-6788  
Fax: 1-800-866-1438

INTERNATIONAL  
Telephone: 1-613-962-3411  
Fax: 1-613-967-8128