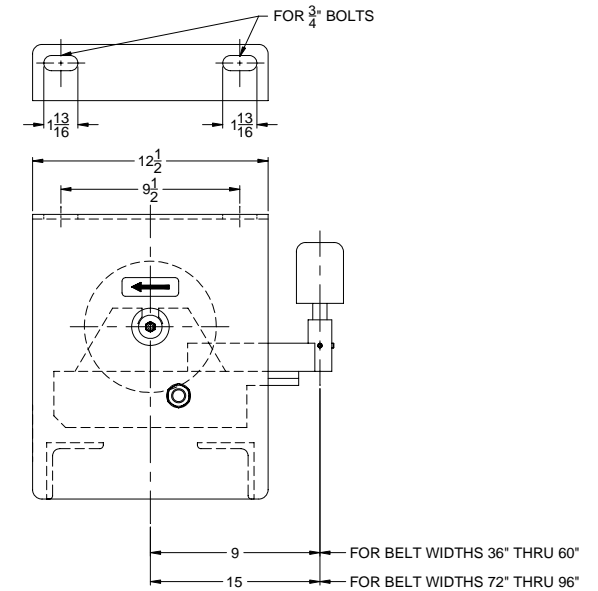


$15\frac{3}{16}$ FOR BELT WIDTHS 36" THRU 60"
 $16\frac{3}{16}$ FOR BELT WIDTHS 72" THRU 96"



'Dimensions in Inches'

Belt Width	Assembly Part Number	R710-6327-6-ST-PA Rubber Disc Return Idler Dimensions 7" dia. Rolls		Assembly Weight
		A	G	
36"	607-36-85-0200	45	42	231 lbs.
42"	607-42-85-0200	51	48	251 lbs.
48"	607-48-85-0200	57	54	271 lbs.
54"	607-54-85-0200	63	60	290 lbs.
60"	607-60-85-0200	69	66	310 lbs.
72"	607-72-85-0200	81	78	456 lbs.
84"	607-84-85-0200	93	90	511 lbs.
96"	607-96-85-0200	105	102	565 lbs.

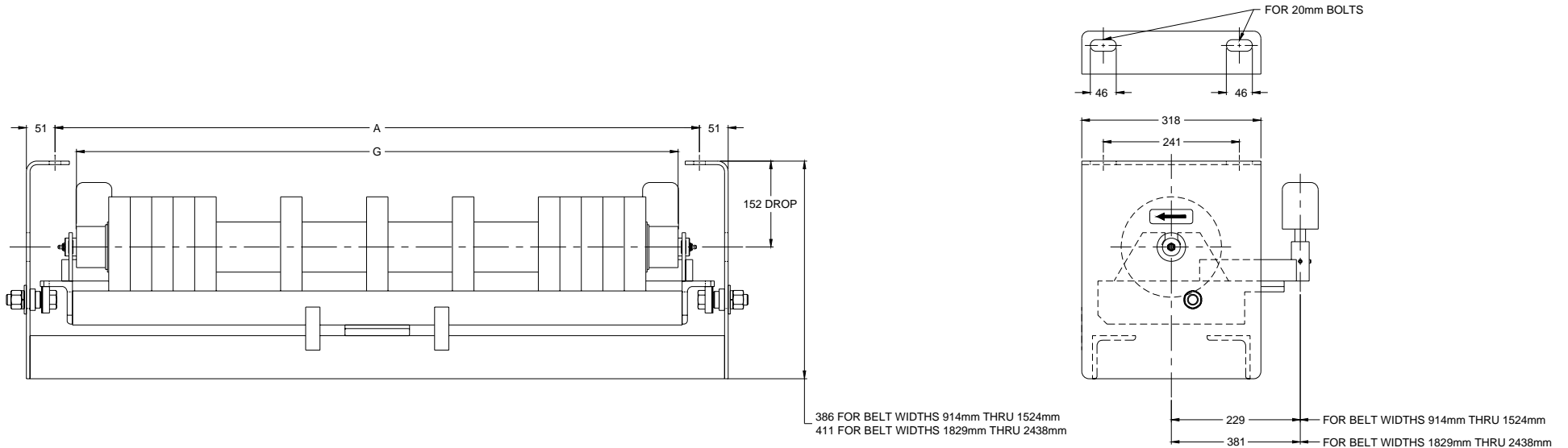


STEPHENS-ADAMSON CONVEYOR COMPONENTS
www.Stephens-Adamson.com

CANADA
Telephone: 1-800-510-3802
Fax: 1-613-967-8128

U.S.A.
Telephone: 1-800-638-6788
Fax: 1-800-866-1438

INTERNATIONAL
Telephone: 1-613-962-3411
Fax: 1-613-967-8128



'Dimensions in Millimeters'

Belt Width	Assembly Part Number	R710-6327-6-ST-PA Rubber Disc Return Idler Dimensions 178 mm dia. Rolls		Assembly Weight
		A	G	
914 mm	607-36-85-0200	1143	1067	105 kg.
1067 mm	607-42-85-0200	1295	1219	114 kg.
1219 mm	607-48-85-0200	1448	1372	123 kg.
1372 mm	607-54-85-0200	1600	1524	132 kg.
1524 mm	607-60-85-0200	1753	1676	141 kg.
1829 mm	607-72-85-0200	2057	1981	207 kg.
2134 mm	607-84-85-0200	2362	2286	232 kg.
2438 mm	607-96-85-0200	2667	2591	256 kg.



STEPHENS-ADAMSON CONVEYOR COMPONENTS
www.Stephens-Adamson.com

CANADA
Telephone: 1-800-510-3802
Fax: 1-613-967-8128

U.S.A.
Telephone: 1-800-638-6788
Fax: 1-800-866-1438

INTERNATIONAL
Telephone: 1-613-962-3411
Fax: 1-613-967-8128

DS-E-IDL-00-135 A