

'Dimensions in Inches'

Belt Width	Assembly Part Number	2204-20°-Troughing Idler Dimensions 4" dia. Rolls					Assembly Weight
		A	E	F	G	H	
18"	224-18-A0-T120	27	7-9/16	6-3/8	6-3/8	19-3/4	32 lbs.
20"	224-20-A0-T120	29	7-3/4	7-9/16	6-13/16	21-13/16	34 lbs.
24"	224-24-A0-T120	33	8-7/16	7-9/16	8-15/16	25-3/4	38 lbs.
30"	224-30-A0-T120	39	9-1/8	8-15/16	11	31-1/16	43 lbs.
36"	224-36-A0-T120	45	9-7/8	11	13-1/8	37-1/16	48 lbs.
42"	224-42-A0-T120	51	9-7/8	17-1/4	13-1/8	43-5/16	60 lbs.
48"	224-48-A0-T120	57	9-7/8	22-3/4	13-1/8	48-13/16	64 lbs.

Belt Width	Assembly Part Number	2205-20°-Troughing Idler Dimensions 5" dia. Rolls					Assembly Weight
		A	E	F	G	H	
18"	225-18-A0-T120	27	8-1/32	6-3/8	6-3/8	19-13/32	38 lbs.
20"	225-20-A0-T120	29	8-3/16	7-9/16	6-13/16	21-7/16	39 lbs.
24"	225-24-A0-T120	33	8-15/16	7-9/16	8-15/16	25-7/16	44 lbs.
30"	225-30-A0-T120	39	9-5/8	8-15/16	11	30-3/4	50 lbs.
36"	225-36-A0-T120	45	10-5/16	11	13-1/8	36-3/4	57 lbs.
42"	225-42-A0-T120	51	10-5/16	17-1/4	13-1/8	43	67 lbs.
48"	225-48-A0-T120	57	10-5/16	22-3/4	13-1/8	48-7/16	74 lbs.

Belt Width	Assembly Part Number	2204-35°-Troughing Idler Dimensions 4" dia. Rolls					Assembly Weight
		A	E	F	G	H	
18"	224-18-B0-T120	27	9-1/16	6-3/8	6-3/8	17-13/16	33 lbs.
20"	224-20-B0-T120	29	9-5/16	7-9/16	6-13/16	19-13/16	35 lbs.
24"	224-24-B0-T120	33	10-17/32	7-9/16	8-15/16	23-7/32	39 lbs.
30"	224-30-B0-T120	39	11-3/4	8-15/16	11	28-1/32	44 lbs.
36"	224-36-B0-T120	45	12-15/16	11	13-1/8	33-17/32	51 lbs.
42"	224-42-B0-T120	51	13-3/8	17-1/4	13-1/8	39-17/32	59 lbs.
48"	224-48-B0-T120	57	12-7/8	22-3/4	13-1/8	45-9/32	64 lbs.

Belt Width	Assembly Part Number	2205-35°-Troughing Idler Dimensions 5" dia. Rolls					Assembly Weight
		A	E	F	G	H	
18"	225-18-B0-T120	27	9-1/2	6-3/8	6-3/8	17-1/4	38 lbs.
20"	225-20-B0-T120	29	9-3/4	7-9/16	6-13/16	19-1/4	40 lbs.
24"	225-24-B0-T120	33	10-15/16	7-9/16	8-15/16	22-21/32	45 lbs.
30"	225-30-B0-T120	39	12-1/8	8-15/16	11	27-1/2	52 lbs.
36"	225-36-B0-T120	45	13-11/32	11	13-1/8	32-15/16	60 lbs.
42"	225-42-B0-T120	51	13-3/8	17-1/4	13-1/8	39-1/4	70 lbs.
48"	225-48-B0-T120	57	13-5/16	22-3/4	13-1/8	44-3/4	76 lbs.

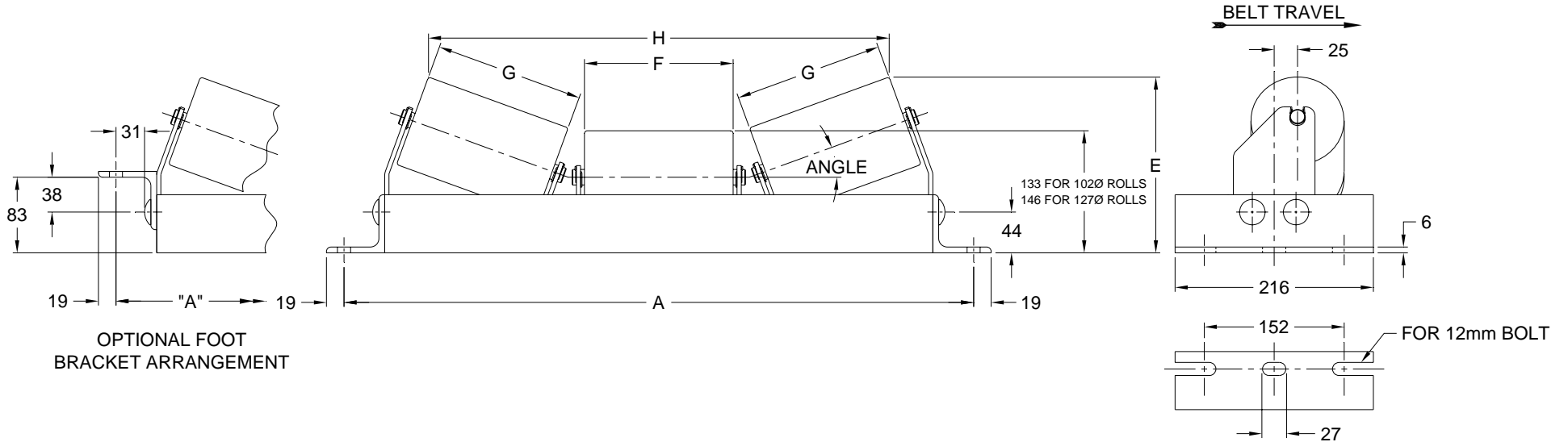


STEPHENS-ADAMSON CONVEYOR COMPONENTS
www.Stephens-Adamson.com

CANADA
Telephone: 1-800-510-3802
Fax: 1-613-967-8128

U.S.A.
Telephone: 1-800-638-6788
Fax: 1-800-866-1438

INTERNATIONAL
Telephone: 1-613-962-3411
Fax: 1-613-967-8128



'Dimensions in Millimeters'

Belt Width	Assembly Part Number	2204-20°-Troughing Idler Dimensions 102 mm dia. Rolls					Assembly Weight
		A	E	F	G	H	
457 mm	224-18-A0-T120	686	192	162	162	502	15 kg.
508 mm	224-20-A0-T120	737	197	192	173	554	15 kg.
610 mm	224-24-A0-T120	838	214	192	227	654	17 kg.
762 mm	224-30-A0-T120	991	232	227	279	789	20 kg.
914 mm	224-36-A0-T120	1143	251	279	333	941	22 kg.
1067 mm	224-42-A0-T120	1295	251	438	333	1100	27 kg.
1219 mm	224-48-A0-T120	1448	251	578	333	1240	29 kg.

Belt Width	Assembly Part Number	2205-20°-Troughing Idler Dimensions 127 mm dia. Rolls					Assembly Weight
		A	E	F	G	H	
457 mm	225-18-A0-T120	686	204	162	162	493	17 kg.
508 mm	225-20-A0-T120	737	208	192	173	545	18 kg.
610 mm	225-24-A0-T120	838	227	192	227	646	20 kg.
762 mm	225-30-A0-T120	991	244	227	279	781	23 kg.
914 mm	225-36-A0-T120	1143	262	279	333	933	26 kg.
1067 mm	225-42-A0-T120	1295	262	438	333	1092	30 kg.
1219 mm	225-48-A0-T120	1448	262	578	333	1230	34 kg.

Belt Width	Assembly Part Number	2204-35°-Troughing Idler Dimensions 102 mm dia. Rolls					Assembly Weight
		A	E	F	G	H	
457 mm	224-18-B0-T120	686	230	162	162	452	15 kg.
508 mm	224-20-B0-T120	737	237	192	173	503	16 kg.
610 mm	224-24-B0-T120	838	267	192	227	590	18 kg.
762 mm	224-30-B0-T120	991	298	227	279	712	20 kg.
914 mm	224-36-B0-T120	1143	329	279	333	852	23 kg.
1067 mm	224-42-B0-T120	1295	340	438	333	1004	27 kg.
1219 mm	224-48-B0-T120	1448	327	578	333	1150	29 kg.

Belt Width	Assembly Part Number	2205-35°-Troughing Idler Dimensions 127 mm dia. Rolls					Assembly Weight
		A	E	F	G	H	
457 mm	225-18-B0-T120	686	241	162	162	438	17 kg.
508 mm	225-20-B0-T120	737	248	192	173	489	18 kg.
610 mm	225-24-B0-T120	838	278	192	227	575	20 kg.
762 mm	225-30-B0-T120	991	308	227	279	699	24 kg.
914 mm	225-36-B0-T120	1143	339	279	333	837	27 kg.
1067 mm	225-42-B0-T120	1295	340	438	333	997	32 kg.
1219 mm	225-48-B0-T120	1448	338	578	333	1137	34 kg.

